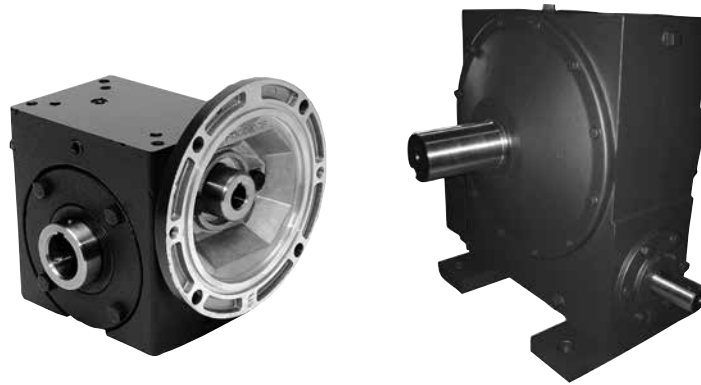


# Hub City Worm Gear Drives



Worm Gear Features . . . . . B-2 to B-6

Factory Options . . . . . B-7

Rating Parameters . . . . . B-8

Pre-Selection Information. . . . . B-9

How To Select and Order Standard Models . . . . . B-10

Single Reduction Worm Gear Drives . . . . . B-11 to B-56

Single Reduction Model Index . . . . . B-12

Double Reduction Worm Gear Drives . . . . . B-57 to B-95

Double Reduction Model Index . . . . . B-58

Helical-Worm Double Reduction Assemblies . . . . . B-59

Stock Output Bores & QD Bushing Kits . . . . . B-96

Accessories and Factory Options. . . . . B-97 to B-106

Triple Reduction Worm Gear Drives . . . . . See Pg B-6

<p><b>For Available Electric Motors</b></p> <p>Section E</p>	<p><b>For Stainless Steel Worm Gear Drives</b> See HUB<sup>3</sup></p> <p>Section O</p>	<p><b>For No Hassle High Efficiency Worm Gear Replacement</b> See HERA<sup>®</sup></p> <p>Section H</p>
--	---	---

<p><b>For Compact Lightweight Aluminum Worm Gear Drives</b> See Spartan<sup>™</sup> Worm Gear Drives</p> <p>Section C</p>	<p><b>For High Efficiency Right Angle Gear Drives</b> See Poweratio<sup>®</sup> 2000 Helical Bevel &amp; Helical Worm Units</p> <p>Sections K &amp; L</p>
---	---

# Hub City Worm Gear Drives

## Single, Double and Triple Reduction

### Basic Specifications

- Power Ratings from 1/4 to 104 hp
- Output Torque to 80,000 inch/lbs
- Ratios from 5:1 through 216,000:1
- Output Speeds .0081 rpm to 350 rpm

### Standard Features

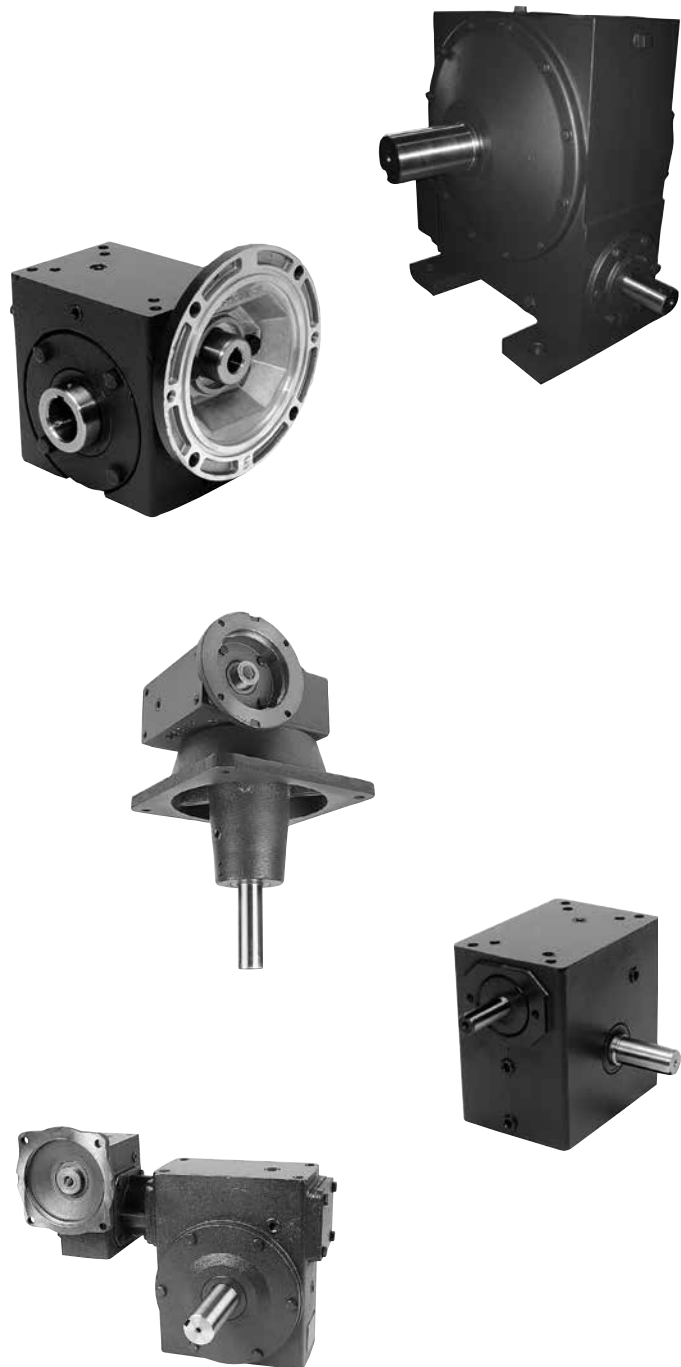
- Over 30 series and 300 standard models available.
- Cast iron housing designed for superior thermal conductivity provides rigid gear and bearing support.
- Alloy shafting for greater strength.
- Hardened and ground worm and alloy bronze gear for greater wear life.
- 20° - 25° - 30° pressure angle design provides for more efficient operation and greater durability.

### Optional Features

- Modified standard and custom designs
- Metric, servo or hydraulic input flanges
- CleanLine™ washdown and BISSC configurations
- Unique or harsh environment adaptations
- Three lube options: 600W, synthetic, polyglycol

### Motorized Worm Gear Drives

- Motors produced by Marathon Motors for high efficiency, reliability and durability
- General or Definite Purpose Motors
- Brake or Inverter Duty motors, DC or Washdown motors
- Motor/gear drive package incentives available, consult factory



# Hub City Worm Gear Drives

## Design Features

### New PowerCubeX® Worm Gear Reducers

#### Series 130 to W420 (1.33" to 4.25" Center Distance) Models

##### Features

What is the value of X?

- eXpanded model selection
- eXtended ratio offering
- eXceeds or meets previous power ratings
- eXtraordinary efficiencies
- eXact footprint match to most major brands
- eXciting new opportunities
- eXtreme environment protection available
- eXcellent performance
- eXpress assembly available
- 1.33, 1.50, 1.75, 2.06, 2.38, 2.63, 3.00, 3.25, 3.75, 4.25. . .  
10 (X) sizes under 5" center distance

##### Additional Features

- Increased thermal capacity and Increased efficiency
- Smooth design for enhanced washdown characteristics
- Three lube options: 600W, synthetic, polyglycol, NO thermal limitations when specified with premium PAG or PAO synthetic lubricant
- Cast iron housing designed for superior thermal conductivity provides maximum surface area for increased heat dissipation and higher continuous ratings.
- Alloy shafting for greater strength.
- Worms design optimized for increased efficiency and higher continuous ratings
- Nickel-tin bronze worm gears for increased mechanical and thermal capacity, and have optimized face widths for higher horsepower ratings.
- 20° - 25° - 30° pressure angle design provides for more efficient operation and greater durability
- Ball bearings on all high speed shafts
- Tapered roller bearings on the low speed shaft
- Seals are Viton to allow higher operating temperatures and provide longer life
- Accessory kits such as Side Mount Flange Bracket Kit (shown), Vertical Mt Bracket & Shaft Kit (shown), Base Kits, J-Bracket Kits Riser Blocks and Torque Arm Kits are available for PowerCubeX® models (see pages B-97-106)

##### Notes:

PowerCubeX® models replace Universal PowerCube models.  
See model index page B-12 for series and model page number.  
See page B-5 for lubricant features.

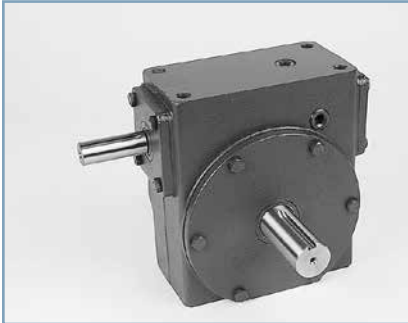


# Hub City Worm Gear Drives

## Design Features

### Century Series Worm Gear Reducers

#### Series 450 to 520 (4.50" to 5.16" Center Distance) Models



#### Features

- Cast iron housing provides rigid gear and bearing support.
- Alloy shafting for greater strength.
- Hardened and ground worm and alloy bronze gear for greater wear life.
- 20° - 25° - 30° pressure angle design provides for more efficient operation and greater durability.
- High speed shaft bearings are double tapered roller bearings on C-face quill type models
- Tapered roller bearings on high speed shaft on shaft input models
- Tapered roller bearings on the low speed shaft
- The 450 and 520 series have no dimension changes in the housing or other components, but they benefit from gearing improvements and synthetic oils as described below.
- Worms have improved heat treat for higher capacity, and polished threads for increased efficiency and higher thermal ratings.
- Worm gears have been upgraded to nickel-tin-bronze for increased mechanical and thermal capacity, and have optimized face widths for higher horsepower ratings.
- Shaft mounted models designed for direct mounting on drive shaft of equipment to be driven. Provides a positive and permanent alignment of reducer to the driven machine.
- NEMA "C" Flange Adaptor kits available for direct mounting to electric motor. (page B-97)
- Torque arm kits available see page B-105.
- \*\*QD\*\*® Bushings provide widest possible range of bore size, ease of installation and removal. Available in shaft mounted models in series 450 and 520.
- Thermal Block, Fan kits and Synthetic lubricants are available to increase thermal capacity
- Drop bearing design models provide overhung load support for trolleys, conveyors, agitators, mixers and other similar applications. Grease retainer at out board bearing for mounting output shaft vertically up. Large outboard bearing for long bearing life. Tandem Seals (Taconite) on output shaft with grease and purge holes provided.

#### Notes:

See model index page B-12 for series and model page number.  
See page B-5 for lubricant features.

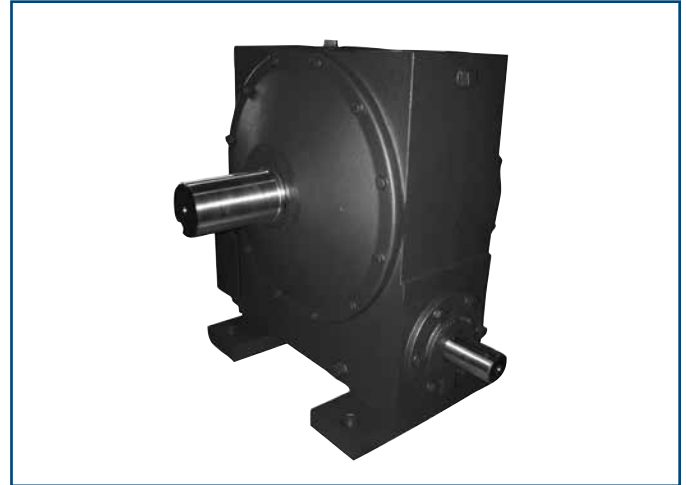
# Hub City Worm Gear Drives

## Design Features GW Series Worm Gear Reducers

### Series GW60 to GW100 (6" to 10" Center Distance) Models

#### Features

- Rugged iron housings, covers, and flanges provide superior strength and rigidity.
- Two separate housings in the double reduction design insures long trouble free life of all components.
- The worm shaft is cut integral with the input shaft then hardened, ground, and polished to provide maximum efficiency with minimum gear noise.
- The bronze worm gear is chill cast from the highest quality bronze to provide superior wear and lubricity characteristics for longer life and higher efficiency.
- Premium tapered roller bearings on output shafts provide greater life, overhung load and thrust capacity.
- Oversized steel output shafts provide superior overhung load and torque characteristics.
- Large oil capacity provides positive splash lubrication and superior cooling capability.
- Metal nameplate drive screwed to housing insures easy field identification for repair parts and replacement.



- All units are 100% run and leak tested at the factory to insure that you receive the highest quality product.

Notes: See model index page B-12 for series and model page number.  
See lubricant features below.

### Lubricant Options for All Hub City Worm Gear Drives

- Hub City has done extensive testing on different oil types, to compare wear resistance, efficiency, and thermal ratings. Hub City publishes three sets of catalog ratings, with different oil types, so the customer can choose the ideal oil for each application. Ratings are provided for conventional mineral oil, such as Mobil 600W Cylinder Oil, traditional "PAO" (polyalphaolephin) synthetic oil, such as Mobil SHC-634, and the newer "PAG" (polyalkaline glycol) synthetic oil, such as Klubersynth UH1 6-460 and Mobil Glygoyle 460.
- The traditional "PAO" synthetic oil has broader temperature range, both high and low, increased efficiency for higher thermal ratings, and longer life for fewer oil changes, and needs no replacement in many applications.
- The newer "PAG" synthetic oil also has broader high and low temperature range, and has the highest efficiency for the maximum thermal ratings. THE PAG SYNTHETIC OIL ALLOWS ALL POWER CUBE UNITS FROM 130 SERIES THROUGH W420 SERIES TO RUN CONTINUOUSLY AT CATALOG MECHANICAL RATINGS, WITH NO THERMAL DERATING. This oil

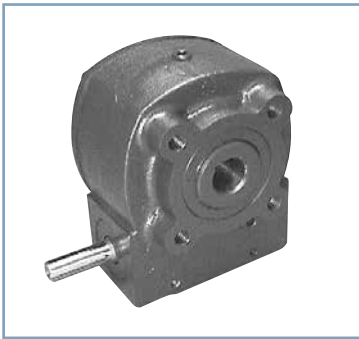
meets the FDA H1 approval for use in food plants where there is the possibility of incidental contact with food. The PAG synthetic oils also provide longer life for fewer oil changes, and need no replacement in many applications.

- NOTE: The PAG synthetic oils are NOT COMPATIBLE with any other types of oil, and oils must not be mixed. If changing a unit to or from PAG oil, the unit must be thoroughly flushed out with the new oil. Water can mix with the PAG synthetic oil, and does not separate, so this must be taken into consideration by protecting units from moisture ingestion, and in severe applications, oil changes may be required.
- Because PAG synthetic oils are not readily available in many locations, Hub City can provide units that are filled at the factory with PAG oil. These units have unique part numbers for permanent identification. The model numbers use an "L" suffix, such as 214L. Mounting position must be specified and included in the reducer description so the correct amount of oil is installed. (See pages B-10 and B-13)

# Hub City Worm Gear Drives

## Design Features

### Worm Gear Reducers



#### W Series

##### Features

- Constructed with all cast iron alloy housings
- Tapered roller bearings
- Heavy-duty industrial seals
- Shaft mounted for direct mounting on drive shafts
- W300 also available with light weight aluminum housing



#### Torque Plus Helical Ratio Multiplier

##### Features

- One Cast Iron Model, One Aluminum Model (see page B-59), One Stainless Steel Model ( See Section O)
- Ratios available from 2:1 to 7.5:1
- Can be used as reducer or increaser
- Provides additional reduction capability when mounted onto Helical Gear Reducer or Worm Gear Reducer
- C-flange or solid input shaft
- Helical gearing
- Double lip seals
- Base mounting available
- Permanently lubricated at factory



#### Double Reduction

##### Features

- Provides all the same basic features as the single reduction unit with two Hub City gearboxes connected
- Available in ratios from 50:1 to 3600:1
- 90 different models to choose from
- See Model Index page B-58 for series and model page number



#### Triple Reduction

##### Features

- Provides all the same basic features as the single and double reduction units with three Hub City gearboxes connected.
- Available in ratios from 1000:1 to 216,000:1
- Different models to choose from. Not shown in this catalog. See [www.hubcityinc.com](http://www.hubcityinc.com)

# Hub City Worm Gear Drives

## Factory Options

The following factory options are also available for gear drives in this catalog. Contact the factory for details on price, availability, and specifications.

### Cleanline™

See Section O

#### Features

- FDA approved white acrylic paint
- Corrosion resistant shaft treatment or stainless steel shafts
- Stainless steel hardware and nameplate

#### Options

- Motorized versions
- BISSC Standards

### Metric Versions

#### Features

- Metric Motor flanges
- Metric shaft dimensions
- Metric mounting dimensions

#### Options

- Motorized versions
- Modified and Custom Designs

### Modified and Custom Designs

If you have looked through this catalog and do not see exactly what you need, Hub City has the capability and engineering expertise to design and produce a special drive. Capabilities range from flange and shaft modifications, to custom housing dimensions. Consult the factory or your Hub City representative with your specifications.



Select hollow output bore models in this product line are now available with the HubLoc® Keyless Bushing System. Refer to pages i and ii at front of this catalog for features, available sizes, and ordering information.

# Hub City Worm Gear Drives

## Rating Parameters

### Mechanical Ratings

The mechanical capacity of a worm gear reducer is generally based on the surface endurance limit of the bronze gear material, and the hardness and surface finish of the steel worm. In some low speed, high torque applications, the shear strength of the gear material may be the limiting factor.

Hub City mechanical catalog ratings are calculated to be used with a service factor of 1.0. This is for intermittent or continuous service free from shock loading, and a total duration of up to 10 hours per day. Applications outside these conditions require appropriate service factors to modify the allowable unit ratings. Table 1 defines the service factors for various operating conditions. Section A lists the AGMA service factors for various applications.

### Thermal Ratings

The thermal capacity of a HUB CITY worm gear reducer is the actual horsepower (without service factor), which the reducer will transmit continuously for 2 hours or more without the oil temperature exceeding 200 deg F. The housing and gearing improvements in PowerCube allow continuous operation at higher horsepower. In addition, the standard high temperature seals and optional synthetic oils allow Hub City reducers to operate in excess of 225 deg F continuously, to maximize the thermal capacity.

Thermal ratings may be ignored when the continuous operating period does not exceed 2 hours and the shutdown period equals or exceeds the operating period. However, when the operating period exceeds 2 hours, or the operating period exceeds the shutdown period, thermal ratings must be considered.

A reducer should be selected with a thermal rating that meets or exceeds the ACTUAL horsepower to be transmitted. Synthetic oils increase the thermal rating, and may allow a smaller unit to be selected. The larger housings and improved gearing, with the appropriate synthetic oil, make cooling fans unnecessary on the 420 series and smaller. Cooling fans are still available on the 450 series and larger.

Note that thermal ratings assume an ambient temperature of approximately 75° F. With higher ambient temperatures, the thermal ratings will be approximately 1% less, per degree above 75° F.

Worm gear units have a run-in period of about 50 hours. The polished worms improve the initial efficiency, but the units may run hotter during the run-in period. Abnormal heating does not necessarily mean that the unit is beyond the thermal capacity, unless heating is excessive or continues beyond the run-in period.

### Thermal Design Options

The improvements to the new HUB CITY worm gear reducers

reduce the need for some of the thermal design options that were offered in the past. The customer can use the comparative ratings with the 3 oil types to choose the ideal reducer for his application. (Cooling fans are still available as an option on the 450 series and larger.)

Mobil SHC 634 SYNTHETIC OIL is the traditional PAO (polyalphaolephin) type. This synthetic oil is recommended for all reducers to increase efficiency, reduce power consumption, extend or completely eliminate the need for periodic oil changes, and to increase the thermal capacity, potentially allowing the use of a smaller reducer for a given application.

The newer PAG (polyalkaline glycol) SYNTHETIC OIL provides the highest efficiency and thermal capacity, which exceed those obtained with the PAO Synthetic Oils. Since these oils are not readily available, HUB CITY offers a standard option of reducers filled at the factory with the PAG Synthetic Oil. This oil is not compatible with any other type of oil, and does not separate from water, so these factors must be taken into consideration in the unit selection, which may be affected by the environment the reducer is exposed to.

COOLING FANS are available as a factory installed option for all units from 450 through 520 series. Cooling fans are standard on GW60 through GW100 series reducers.

Cooling fans and synthetic oils may be used in combination and will provide compound effects to obtain the maximum thermal capacity for a reducer. The rating tables illustrate this.

Any continuous air circulation provided by the customer will increase the thermal capacity of all non-fan reducers, and potentially eliminate the need for thermal upgrades.

### Pre-Selection Information

HUB CITY worm gear speed reducers are designed to permit many assembly variations.

Worm gear speed reducers are selected on the basis of gear ratio, speed, torque (or horsepower) and mounting required. Factory engineers and customer service personnel are always willing to assist with unit selection, in order to provide the most economical drive component.

The drive selection tables have been arranged so that once the gear ratio, speed, torque (or horsepower) and mounting are known, the HUB CITY model number can be easily obtained or determined. Service factors for various loads and power sources are also provided to effectively accommodate loading and power source fluctuations. The use of the tables require only a minimum effort to select the service factors.



# Hub City Worm Gear Drives

## Pre-Selection Information

ROTATION — Input (High Speed Shaft) to the Hub City “Worm Gear Reducer” can be either clockwise or counter-clockwise.

### OPERATING CHARACTERISTICS

VELOCITY LIMITS — Worm gear speed reducers are limited in speed by the rubbing velocity of the gear set. Gear sets using a steel worm with a cast iron gear are limited to a rubbing velocity 500 feet per minute. Gear sets with a steel, heat treated ground worm and bronze gear are limited to a maximum rubbing velocity of 1,500 feet per minute.

Consult factory for ratings at speeds higher than shown in the standard rating tables.

MAXIMUM TORQUE — The minimum speed of 100 RPM DOES NOT illustrate the lowest recommended speed of the worm gear speed reducers. This minimum speed illustrates the maximum running torque of the gear box. The unit will efficiently run at speeds below 100 RPM. When it is necessary to know horsepower values at these lower speeds simply convert the torque shown at 100 RPM to horsepower using the actual operating speed.

Maximum momentary or starting torque is limited to 300% of rated capacity for worm gear speed reducers

### Service Factors

The ratings for gear drives in this manual are based on a service factor of 1.00, for uniform load and uniform power source, up to 10 hours of operation per day. For other operating conditions, the application horsepower or torque must be multiplied by the appropriate service factor, to determine the equivalent gear drive power rating. A gear drive should be selected with a rated capacity equal to or greater than the equivalent rating.

Table 1 designates recommended service factors for various conditions of load, power source, and duration of service.

AGMA Service Factors for Worm and Helical Worm Gearmotors and Reducers are listed in Section A.

Refer to page A-2 for further information and cautions on the selection of proper service factors.

TABLE 1 — SERVICE FACTORS

PRIME MOVER	DURATION OF SERVICE PER DAY (1)	DRIVEN MACHINE LOAD CLASSIFICATION		
		UNIFORM	MEDIUM SHOCK	HEAVY SHOCK
Electric Motor	Occasional 1/2 hr.	*	*	1.00
	Intermittent 3 hrs.	*	1.00	1.25
	3 - 10 hours	1.00	1.25	1.50
	Over 10 hours	1.25	1.50	1.75
Electric Motor With Frequent Starts and Stops (2)	Occasional 1/2 hr.	*	1.00	1.25
	Intermittent 3 hrs.	1.00	1.25	1.50
	3 - 10 hours	1.25	1.50	1.75
	Over 10 hours	1.50	1.75	2.00
Multi-Cylinder Internal Combustion Engine	Occasional 1/2 hr.	*	1.00	1.25
	Intermittent 3 hrs.	1.00	1.25	1.50
	3 - 10 hours	1.25	1.50	1.75
	Over 10 hours	1.50	1.75	2.00
Single Cylinder Internal Combustion Engine	Occasional 1/2 hr.	1.00	1.25	1.50
	Intermittent 3 hrs.	1.25	1.50	1.75
	3 - 10 hours	1.50	1.75	2.00
	Over 10 hours	1.75	2.00	2.25
Reversing Service Application		Consult Factory		

\* UNSPECIFIED SERVICE FACTORS SHOULD BE 1.0 OR AS AGREED UPON BY USER AND MANUFACTURER.

### Explanatory Notes

1. Time specified for intermittent and occasional service refers to total operating time per day.
2. Term “frequent starts and stops” refers to more than 10 starts per hour.

# Hub City Worm Gear Drives

## How To Select and Order Standard Models

When ordering a worm gear reducer, it is necessary to select reducer size (series), gear ratio, model, and assembly style. If accessories are required, they must be ordered separately and in addition to the reducer.

**SELECTION EXAMPLE.** A belt conveyor, uniformly loaded, requires a direct coupled worm gear speed reducer to drive a light continuous belt. A 2 HP 1750 RPM electric motor is to be the prime move. Reducer output shaft must drive conveyor at approximately 115 RPM. The machine is expected to operate 24 hours per day.

**STEP No. 1.** Table 1 (page B-9) indicates service factor requirement of 1.25 for an electric motor drive under required 24 hour uniform load conditions.

**STEP No. 2.** Decide whether the application will require the reducer to be selected based on mechanical rating or thermal rating. Units may be selected based on mechanical rating only if the continuous operating period does not exceed two hours and shutdown period equals or exceeds operating period. Since our example requires 24 hours per day service the unit must be selected based on thermal capacity.

**STEP No. 3.** Calculate ratio required. Divide 1750 RPM input speed by 115 RPM required output speed. A 15:1 ratio is needed.

**STEP No. 4.** Refer to the Quick Selection Chart on (page B-14). Down the left side find the 15:1 ratio selection. Trail across this section on the 1.25 service factor line to the 2 HP column. The proper selection for this application is a No. 240PL Series standard unit. Thermal design options allow maximum flexibility in unit selection and application.

Additional rating information can be obtained by referring to the detailed rating data for each individual series. Rating data for each thermal design option is listed.

**STEP No. 5.** Refer to Model Index Chart (page B-12) and select the applicable model. In the above example, it states a direct coupled reducer is required with output shaft extensions is the proper selection.

After the selection process has shown the correct series worm gear speed reducer required, then the specific data listed below is needed to properly place an order for each of the models within a series.

To order motorized reducers, specify the reducer as shown, indicate the motor description as shown and specify "motorized assembly."

UNIT SERIES	SERIES	CENTER DISTANCE
13	130	1.33"
15	W150	1.50"
18	180	1.75"
21	210	2.06"
24	W240	2.38"
26	260	2.63"
30	300	3.00"
32	320	3.25"
38	380	3.75"
42	W420	4.25"
45	450	4.50"
52	520	5.25"
GW60	60	6"
GW70	70	7"
GW80	80	8"
GW100	100	10"

**MODEL CONFIGURATION**  
Refer to Features pages B-3 to B-6 or Model Index pages B-12 and B-58 for model configurations available in each series

Note:  
For Double reduction models a zero (0) is inserted ahead of this number  
For Triple reduction models a five (5) is inserted ahead of this number  
(a six (6) for models ending in zero (0))

**Model** 32 5 (K) (L) 30/1 B  
**Ratio** 30/1  
**Style** B  
**Gear Type** WR  
**Frame Size** 143TC  
**Output Bore** 1.437  
**Motor** C322 (B3)

**MOUNTING POSITION**  
Pre-lubrication units only (See Page B-13)

**MOTOR**  
See Section E for available motors

**OUTPUT BORE**  
(Applies to model numbers ending in 2,3,5 or 6 only)  
Refer to dimensional pages for output bore sizes available in each model.  
-or- KLS: Unit accepts HubLoc® Keyless Bushing System

**FRAME SIZE**  
(Applies to model numbers ending in 4,5,6,8 or 0 only)  
Refer to dimensional pages for frame sizes available in each model

**GEAR TYPE**  
WR : Worm Right (standard)  
WL : Worm Left (mfg to order - consult factory)

**OUTPUT STYLE**  
Refer to dimensional pages for styles available in each model

**RATIO**  
Refer to ratings pages at the beginning of the single and double reduction sections for ratios available in each model

**LUBRICATION**  
(Optional) Indicates unit is pre-lubricated with polyglycol lubrication.  
Mounting position must be specified (See Page B-13)

(K) (Optional) Unit accepts HubLoc® Keyless Bushing System

# Hub City Worm Gear Drives

## Single Reduction



Single Reduction Worm Model Index . . . . . B-12

Mounting Positions for Lube Filled Units . . . . . B-13

Quick Selection Chart . . . . . B-14 to B-15

Single Reduction Catalog Ratings . . . . . B-16 to B-29

Model Dimensions . . . . . B-30 to B-56

Stock Output Bores & QD Bushing Kits . . . . . B-96

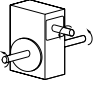
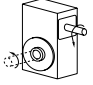
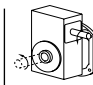
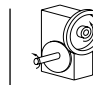
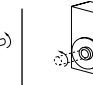
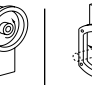
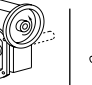
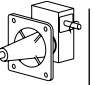
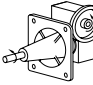
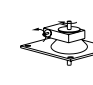
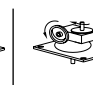
Accessories & Options . . . . . .B-97 to B-106

<p><b>For Compact Lightweight Aluminum Worm Gear Drives</b></p> <p>See Spartan™ Worm Gear Drives</p> <p>Section C</p>	<p><b>For High Efficiency Right Angle Gear Drives</b></p> <p>See Poweratio® 2000 Helical Bevel &amp; Helical Worm Units</p> <p>Sections K &amp; L</p>
---	---

<p><b>For Available Electric Motors</b></p> <p>Section E</p>	<p><b>For No Hassle High Efficiency Worm Gear Replacement</b></p> <p>See HERA®</p> <p>Section H</p>	<p><b>For Stainless Steel Worm Gear Drives</b></p> <p>See HUB®</p> <p>Section O</p>
--	---	---

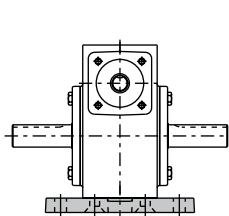
# Hub City Worm Gear Drives

## Single Reduction Model Index

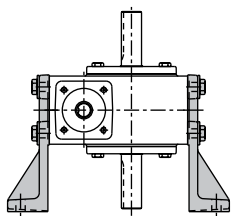
SERIES											
130	131 PAGE B-30,B-31	132 PAGE B-32,B-33	133 PAGE B-34,B-35	134 PAGE B-38,B-39	135 PAGE B-40,B-41	136 PAGE B-42,B-43					
W150	151 PAGE B-30,B-31	152 PAGE B-32,B-33	153 PAGE B-36,B-37	154 PAGE B-38,B-39	155 PAGE B-40,B-41	156 PAGE B-44,B-45					
180	181 PAGE B-30,B-31	182 PAGE B-32,B-33	183 PAGE B-34,B-35	184 PAGE B-38,B-39	185 PAGE B-40,B-41	186 PAGE B-42,B-43			189V SEE PAGE B-104	180V SEE PAGE B-104	
210	211 PAGE B-30,B-31	212 PAGE B-32,B-33	213 PAGE B-34,B-35	214 PAGE B-38,B-39	215 PAGE B-40,B-41	216 PAGE B-42,B-43			219V SEE PAGE B-104	210V SEE PAGE B-104	
W240	241 PAGE B-30,B-31	242 PAGE B-32,B-33	243 PAGE B-34,B-35	244 PAGE B-38,B-39	245 PAGE B-40,B-41	246 PAGE B-42,B-43			249V SEE PAGE B-104	240V SEE PAGE B-104	
260	261 PAGE B-30,B-31	262 PAGE B-32,B-33	263 PAGE B-34,B-35	264 PAGE B-38,B-39	265 PAGE B-40,B-41	266 PAGE B-42,B-43			269V SEE PAGE B-104	260V SEE PAGE B-104	
300	301 PAGE B-30,B-31	302 PAGE B-32,B-33	303 PAGE B-36,B-37	304 PAGE B-38,B-39	305 PAGE B-40,B-41	306 PAGE B-44,B-45	307 PAGE B-46,B-47	308 PAGE B-48,B-49			
320	321 PAGE B-30,B-31	322 PAGE B-32,B-33	323 PAGE B-34,B-35	324 PAGE B-38,B-39	325 PAGE B-40,B-41	326 PAGE B-42,B-43	327 PAGE B-46,B-47	328 PAGE B-48,B-49	329V SEE PAGE B-104	320V SEE PAGE B-104	
380	381 PAGE B-30,B-31	382 PAGE B-32,B-33	383 PAGE B-34,B-35	384 PAGE B-38,B-39	385 PAGE B-40,B-41	386 PAGE B-42,B-43	387 PAGE B-46,B-47	388 PAGE B-48,B-49	389V SEE PAGE B-104	380V SEE PAGE B-104	
W420	421 PAGE B-30,B-31	422 PAGE B-32,B-33	423 PAGE B-36,B-37	424 PAGE B-38,B-39	425 PAGE B-40,B-41	426 PAGE B-44,B-45	427 PAGE B-46,B-47	428 PAGE B-48,B-49			
450	451 PAGE B-30,B-31	452 PAGE B-32,B-33	453 PAGE B-36,B-37	454 PAGE B-38,B-39	455 PAGE B-40,B-41	456 PAGE B-44,B-45	457 PAGE B-46,B-47	458 PAGE B-48,B-49	459V PAGE B-50,B-51	450V PAGE B-52,B-53	
520	521 PAGE B-30,B-31	522 PAGE B-32,B-33	523 PAGE B-36,B-37	524 PAGE B-38,B-39	525 PAGE B-40,B-41	526 PAGE B-44,B-45	527 PAGE B-46,B-47	528 PAGE B-48,B-49	529V PAGE B-50,B-51	520V PAGE B-52,B-53	
GW60	GW601 PAGE B-30,B-31	GW602 PAGE B-32,B-33	GW603 SEE PAGE B-103	GW604 PAGE B-38,B-39	GW605 PAGE B-40,B-41	GW606 SEE PAGE B-103	GW607 PAGE B-46,B-47	GW608 PAGE B-48,B-49			
GW70	GW701 PAGE B-30,B-31	GW702 PAGE B-32,B-33	GW703 SEE PAGE B-103				GW707 PAGE B-46,B-47				
GW80	GW801 PAGE B-30,B-31	GW802 PAGE B-32,B-33	GW803 SEE PAGE B-103				GW807 PAGE B-46,B-47				
GW100	GW1001 PAGE B-30,B-31	GW1002 PAGE B-32,B-33	GW1003 SEE PAGE B-103				GW1007 PAGE B-46,B-47				

MODELS W300, W50B AND W516: SEE PAGES B-54 TO B-56

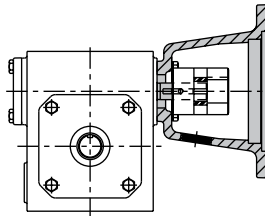
FOR STOCK OUTPUT BORES, QD BUSHING KITS, ACCESSORIES & OPTIONS REFER TO PAGE B-96 TO B-106



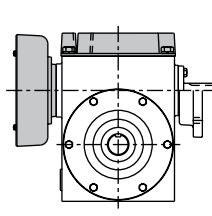
Universal  
Base Kits



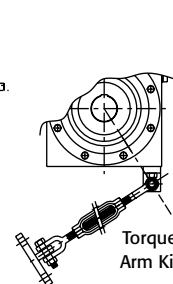
Side Mounting Kits



NEMA "C" Flange  
Adaptor Kits



Fan Kits &  
Thermal Block Kits



Torque  
Arm Kit

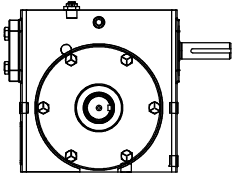
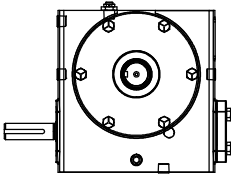
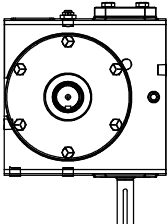
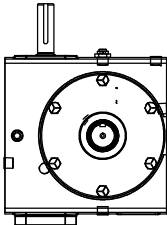
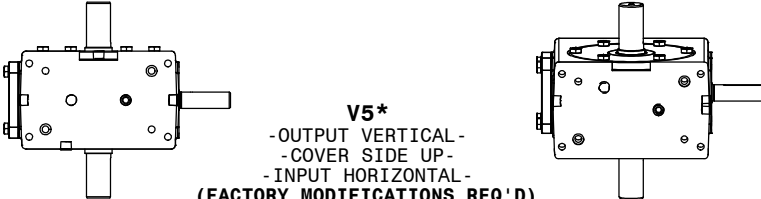
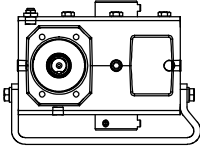
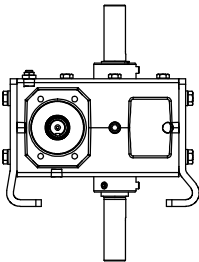
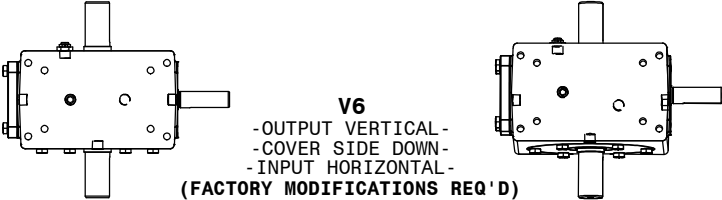
# Hub City Worm Gear Drives

## Single Reduction Mounting Positions

### For Lube Filled Units

#### Series 130 - GW100

NOTE: MOUNTING POSITION MUST BE SPECIFIED AND INDICATED IN REDUCER DESCRIPTION WHEN ORDERING PRE-LUBRICATED UNITS, SO THE CORRECT AMOUNT OF OIL IS INSTALLED AT THE FACTORY. REFER TO SECTION 5 FOR LUBRICATION INFORMATION.

 <p><b>B3</b> -WORM TOP- ALL SHAFTS HORIZONTAL</p>	 <p><b>B8</b> -WORM BOTTOM- ALL SHAFTS HORIZONTAL</p>
 <p><b>B6</b> -INPUT VERTICAL/DOWN- -OUTPUT HORIZONTAL - (FACTORY MODIFICATIONS MAY BE REQ'D)</p>	 <p><b>B6II</b> -INPUT VERTICAL/UP- -OUTPUT HORIZONTAL- (FACTORY MODIFICATIONS REQUIRED UNLESS QUILL C-FLANGE INPUT)</p>
 <p><b>V5*</b> -OUTPUT VERTICAL- -COVER SIDE UP- -INPUT HORIZONTAL- (FACTORY MODIFICATIONS REQ'D)</p>	
 <p><b>V5*</b> REFERENCE MODEL XX3 &amp; XX6 -SIDE MOUNT- (FACTORY MODIFICATIONS REQ'D)</p>	 <p><b>V5*</b> REFERENCE MODEL XX2 &amp; XX5 -VERTICAL MOUNTING KIT- (FACTORY MODIFICATIONS REQ'D)</p>
 <p><b>V6</b> -OUTPUT VERTICAL- -COVER SIDE DOWN- -INPUT HORIZONTAL- (FACTORY MODIFICATIONS REQ'D)</p>	

\* V5 IS THE PREFERRED MOUNTING POSITION FOR VERTICAL OUTPUT  
FOR VERTICAL OUTPUT, FACTORY MODIFICATIONS (GREAT PACK AND NILOS RING) MAY BE REQUIRED OR REVIEW  
VERTICAL SHAFT LUBRICATION SPECIFICATION INCLUDED WITH VERTICAL SHAFT MOUNTING KIT.

# Hub City Worm Gear Drives

## Single Reduction Quick Selection Chart

### Continuous Duty Rating

Series To Nearest Standard Motor HP. Based on Both Mechanical and Thermal Criteria

RATIO	OUTPUT RPM	SERVICE FACTOR	INPUT HORSEPOWER AT 1750 RPM											
			1/6 HP	1/4 HP	1/3 HP	1/2 HP	3/4 HP	1 HP	1 1/2 HP	2 HP	3 HP	5 HP	7 1/2 HP	10 HP
5	350.0	1.00	130	130	130	130	130	130	W150	180	W240	240SL	300SL	320SL
		1.25	130	130	130	130	130	130	W150	210	W240	260SL	320SL	380
		1.50	130	130	130	130	130	W150	180	210	W240	300	380	380SL
		1.75	130	130	130	130	130	W150	210	210	W240	320	380	380SL
7.5	233.3	1.00	130	130	130	130	130	130	W150SL	180SL	W240SL	260SL	320SL	W420
		1.25	130	130	130	130	130	W150	210	210	W240SL	300	W420	W420
		1.50	130	130	130	130	W150	W150	210	210	W240	320	W420	W420
		1.75	130	130	130	130	W150	180	210	W240	260	W420	W420	GW60
10	175.0	1.00	130	130	130	130	130	W150	180SL	210SL	W240	260SL	380SL	380PL
		1.25	130	130	130	130	W150	W150	210	210SL	W240SL	320SL	380SL	W420
		1.50	130	130	130	130	W150	180	210	W240	260	380	380SL	520
		1.75	130	130	130	130	180	210	W240	W240	300	380	W420	450PL
15	116.7	1.00	130	130	130	130	W150	180	210SL	W240SL	260SL	320SL	380PL	W420SL
		1.25	130	130	130	130	W150	210	210SL	W240SL	300	380SL	380PL	520PL
		1.50	130	130	130	W150	180	210	W240	260	300	380SL	450PL	520PL
		1.75	130	130	130	W150	210	210	W240	260	320	380SL	450PL	520PL
20	87.5	1.00	130	130	130	130	150SL	180SL	210SL	W240	300SL	380PL	380PL	520PL
		1.25	130	130	130	W150	210	210	W240	260	300SL	380PL	380PL	520PL
		1.50	130	130	130	W150	210	210	260	300	320SL	380PL	450PL	520PL
		1.75	130	130	W150	180	210	W240	260	300	380	W420	520SL	GW70
25	70.0	1.00	130	130	130	W150	180	210	W240	260	300SL	W420	W420	GW60
		1.25	130	130	130	W150	210	W240	260	300	320SL	W420	GW60	GW60
		1.50	130	130	W150	180	210	W240	260	300	W420	W420SL	GW60	GW70
		1.75	130	130	W150	210	W240	W240	300	320	W420	GW60	GW60	GW80
30	58.3	1.00	130	130	130	W150	180SL	210SL	W240SL	260SL	300SL	380PL	GW60	GW60
		1.25	130	130	W150	180	210	W240	260SL	300SL	380PL	380PL	520PL	GW70
		1.50	130	130	W150	180	W240	W240	300	300	380PL	450PL	GW60	GW80
		1.75	130	W150	180	210	W240	260	300	320	W420	520SL	GW70	GW80
40	43.8	1.00	130	130	W150	180	210	W240	260SL	300SL	380PL	W420SL	GW60	GW70
		1.25	130	W150	W150	210	W240	W240	300	320SL	380PL	520PL	GW70	GW80
		1.50	130	W150	180	210	W240	260	300	380	W420	520PL	GW80	GW100
		1.75	130	W150	210	W240	260	300	320	380	W420	GW60	GW80	GW100
50	35.0	1.00	130	130	W150	210	W240	W240	300	320SL	380PL	520PL	GW70	GW80
		1.25	130	W150	210	W240	260	300	300SL	380SL	380PL	520PL	GW80	GW100
		1.50	W150	W150	210	W240	260	300	380	W420	W420SL	GW70	GW80	GW100
		1.75	W150	180	210	W240	260PL	300	380	W420	520	GW70	GW100	GW100
60	29.2	1.00	130	W150	W150	210	W240SL	260SL	300SL	380SL	W420SL	GW60	GW80	GW100
		1.25	130	W150	210	W240	260	300	320SL	380SL	450PL	GW60	GW100	GW100
		1.50	W150	180	210	W240	300	300	380	W420	520	GW80	GW100	
		1.75	W150	210	210	260	300	320	380	W420	520	GW80	GW100	
70	25.0	1.00									GW70	GW70	GW80	GW100
		1.25									GW70	GW80	GW100	
		1.50									GW70	GW80	GW100	
		1.75									GW70	GW100		
80	21.9	1.00	W150	180	210	W240	300	300	W420	W420SL	GW60			
		1.25	W150	210	W240	260	300	W420	GW60	GW60	GW60			
		1.50	180	W240	W240	300	320	W420	W420	GW60				
		1.75	210	W240	260	300	W420	W420	GW60	GW60				
100	17.5	1.00	210	210	W240	260	320	W420	W420SL	GW60				
		1.25	210	W240	260	300	W420	W420	GW60					
		1.50	210	260	300	320	W420	W420	GW60					
		1.75	W240	260	300	W420	W420	GW60	GW60					

PL: PAG (POLYGLYCOL LUBRICANT INSTALLED) SL: PAO (SYNTHETIC LUBRICANT INSTALLED)

# Hub City Worm Gear Drives

## Single Reduction Quick Selection Chart

### Continuous Duty Rating

Series To Nearest Standard Motor HP. Based on Both Mechanical and Thermal Criteria

RATIO	OUTPUT RPM	SERVICE FACTOR	INPUT HORSEPOWER AT 1750 RPM					
			15 HP	20 HP	25 HP	30 HP	40 HP	50 HP
5	350.0	1.00	380PL	GW60	GW60	GW70	GW70	GW70
		1.25	380PL	GW60	GW60	GW70	GW70	GW70
		1.50	GW60	GW60	GW70	GW70	GW80	GW100
		1.75	GW60	GW60	GW70	GW80	GW100	GW100
7.5	233.3	1.00	W420	GW60	GW60	GW70	GW70	GW80
		1.25	GW60	GW60	GW70	GW70	GW80	GW100
		1.50	GW60	GW70	GW70	GW80	GW100	GW100
		1.75	GW60	GW70	GW80	GW80	GW100	
10	175.0	1.00	520PL	GW60	GW60	GW70	GW80	GW100
		1.25	GW60	GW60	GW70	GW80	GW100	GW100
		1.50	520PL	GW70	GW80	GW100	GW100	
		1.75	520PL	GW70	GW80	GW100		
15	116.7	1.00	GW60	GW70	GW70	GW80	GW100	GW100
		1.25	520PL	GW70	GW80	GW100	GW100	
		1.50	GW70	GW80	GW100	GW100	GW100	
		1.75	GW70	GW100	GW100	GW100		
20	87.5	1.00	GW60	GW70	GW80	GW100	GW100	
		1.25	GW70	GW80	GW100	GW100		
		1.50	GW80	GW100	GW100			
		1.75	GW80	GW100				
25	70.0	1.00	GW70	GW80	GW100	GW100		
		1.25	GW80	GW100	GW100			
		1.50	GW80	GW100				
		1.75	GW100	GW100				
30	58.3	1.00	GW80	GW100	GW100			
		1.25	GW100	GW100				
		1.50	GW100					
		1.75	GW100					
40	43.8	1.00	GW100	GW100				
		1.25	GW100					
		1.50						
		1.75						
50	35.0	1.00	GW100					

PL: PAG (POLYGLYCOL LUBRICANT INSTALLED)      SL: PAO (SYNTHETIC LUBRICANT INSTALLED)

### Hub City Series By Mechanical Output Torque

1.00 Service Factor at 1750 RPM Input

For Service Free From Shock Loading and a Total Duration of up to 10 Hours Per Day

RATIO	OUTPUT RPM	Series															
		130	W150	180	210	W240	260	300	320	380	W420	450	520	GW60	GW70	GW80	GW100
5	350.0	211	296	397	605	888	1147	1249	1518	3230	3005			6068	9062	11866	18619
7.5	233.3	240	330	468	718	1046	1327	1471	1951		3495			7704	10572	13867	21413
10	175.0	253	351	491	758	1123	1485	1774	2084	3907	4326	5772	8183	8467	11893	14447	22466
15	116.7	271	375	541	819	1216	1570	2074	2498	3993	4987	6226	8861	9515	12827	16766	26308
20	87.5	275	387	541	839	1245	1640	2277	2686	4372	5543	6632	9060	10127	13431	17575	27597
25	70.0	278	392	536	828	1248	1640	2385	2805		5767			10245	13462	17578	27618
30	58.3	279	385	557	847	1258	1634	2484	2943	4063	5866	6429	9174	10249	13356	17166	27433
40	43.8	274	385	540	838	1244	1642	2458	2906	4406	6024	6632	9077	10203	13399	17507	27471
50	35.0	262	376	516	798	1203	1583	2389	2851	4214	5848	6356	8669	10079	13011	17028	26703
60	29.2	250	359	490	773	1119	1493	2269	2706	3967	5371	5974	8135	9808	12220	15982	25107
70	25.0														11300	14743	23235
80	21.9	203	299	395	607	922	1212	1870	2221		4500			7264			
100	17.5	159	236	308	487	720	945	1466	1740		3546			5886			

# Hub City Worm Gear Drives

## Single Reduction

### PowerCubeX® Catalog Ratings

#### Series 130

SERIES	INPUT RPM	RATIO	OUTPUT RPM	CONVENTIONAL OIL					PAO SYNTHETIC OIL			PAG SYNTHETIC OIL		
				MECH. INPUT HP	EFF. %	MECH. OUTPUT TORQUE	THERMAL INPUT HP	THERMAL OUTPUT TORQUE	INPUT HP	EFF. %	OUTPUT TORQUE	INPUT HP	EFF. %	OUTPUT TORQUE
130	2500	5	500	1.65	85.9	178	THERMAL EQUALS MECHANICAL	1.65	91.1	189	1.65	93.9	195	
		7.5	333	1.30	84.9	208		1.30	90.0	221	1.30	92.8	227	
		10	250	1.05	82.8	218		1.05	87.8	231	1.05	90.5	238	
		15	167	0.78	79.4	234		0.78	84.2	248	0.78	86.8	256	
		20	125	0.62	76.9	240		0.62	81.5	254	0.62	84.0	262	
		25	100	0.52	73.2	241		0.52	77.6	255	0.52	80.1	263	
		30	83.3	0.45	70.5	241		0.45	74.7	256	0.45	77.0	263	
		40	62.5	0.35	66.5	239		0.36	70.5	253	0.36	72.7	261	
		50	50.0	0.29	63.4	231		0.29	67.3	245	0.29	69.3	253	
		60	41.7	0.245	59.4	220		0.245	63.0	233	0.245	64.9	240	
	80	31.3	0.163	55.0	181	0.163	58.3	192	0.163	60.1	198			
	100	25.0	0.111	50.6	142	0.111	53.6	150	0.111	55.2	155			
	1750	5	350	1.38	85.0	211	THERMAL EQUALS MECHANICAL	1.38	90.1	224	1.38	92.9	231	
		7.5	233	1.06	83.9	240		1.06	88.9	254	1.06	91.7	262	
		10	175	0.86	81.4	253		0.86	86.3	269	0.86	89.0	277	
		15	117	0.65	77.6	271		0.65	82.3	287	0.65	84.8	296	
		20	87.5	0.51	74.8	275		0.51	79.3	291	0.51	81.7	300	
		25	70.0	0.44	70.8	278		0.44	75.0	295	0.44	77.3	304	
		30	58.3	0.38	67.8	279		0.38	71.8	295	0.38	74.1	304	
		40	43.8	0.30	63.5	274		0.30	67.3	290	0.30	69.4	299	
		50	35.0	0.242	60.3	262		0.242	63.9	278	0.242	65.9	287	
		60	29.2	0.207	56.0	250		0.207	59.4	265	0.207	61.2	274	
	80	21.9	0.137	51.5	203	0.137	54.6	215	0.137	56.3	222			
	100	17.5	0.094	47.1	159	0.094	49.9	168	0.094	51.4	174			
	1170	5	234	1.06	83.9	240	THERMAL EQUALS MECHANICAL	1.06	88.9	255	1.06	91.7	263	
		7.5	156	0.80	82.6	268		0.80	87.6	284	0.80	90.3	293	
		10	117	0.66	79.8	285		0.66	84.6	302	0.66	87.2	311	
		15	78.0	0.50	75.5	304		0.50	80.0	322	0.50	82.5	332	
		20	58.5	0.39	72.4	306		0.39	76.8	324	0.39	79.1	334	
		25	46.8	0.34	68.0	311		0.34	72.1	330	0.34	74.3	340	
		30	39.0	0.30	64.7	311		0.30	68.6	330	0.30	70.7	340	
		40	29.3	0.234	60.3	304		0.234	63.9	322	0.234	65.9	332	
		50	23.4	0.189	56.9	289		0.189	60.4	307	0.189	62.2	316	
		60	19.5	0.163	52.5	277		0.163	55.6	293	0.163	57.3	302	
	80	14.6	0.108	48.0	222	0.108	50.9	236	0.108	52.4	243			
	100	11.7	0.074	43.5	173	0.074	46.1	184	0.074	47.6	190			
100	5	20.0	0.125	77.7	305	THERMAL EQUALS MECHANICAL	0.125	82.3	324	0.125	84.9	334		
	7.5	13.3	0.091	76.1	329		0.091	80.6	349	0.091	83.1	359		
	10	10.0	0.078	71.5	353		0.078	75.8	374	0.078	78.1	385		
	15	6.7	0.061	65.2	374		0.061	69.2	397	0.061	71.3	409		
	20	5.0	0.048	61.3	371		0.048	65.0	394	0.048	67.0	406		
	25	4.0	0.044	55.3	383		0.044	58.6	406	0.044	60.4	418		
	30	3.3	0.039	51.3	383		0.039	54.4	406	0.039	56.1	418		
	40	2.5	0.031	46.5	369		0.031	49.3	391	0.031	50.8	403		
	50	2.0	0.025	43.3	346		0.025	45.9	367	0.025	47.3	379		
	60	1.7	0.023	38.6	333		0.023	40.9	353	0.023	42.2	363		
80	1.3	0.015	34.7	263	0.015	36.8	279	0.015	37.9	287				
100	1.0	0.011	30.8	204	0.011	32.6	216	0.011	33.6	223				

ADDITIONAL RATINGS FOR OTHER INPUT SPEEDS ARE AVAILABLE AT [WWW.HUBCITYINC.COM](http://WWW.HUBCITYINC.COM)  
 OVERHUNG LOAD - LOW SPEED SHAFT — MODELS 131 AND 134 225 LBS. AT CENTER POINT OF SHAFT EXTENSION.  
 †OHL AND THRUST VALUES SHOWN ARE INDEPENDENT FUNCTIONS AND CANNOT BE APPLIED SIMULTANEOUSLY.  
 REFER APPLICATIONS WITH COMBINED OHL AND THRUST TO HUB CITY CUSTOMER SERVICE DEPARTMENT.

OUTPUT TORQUE VALUES SHOWN ARE INCH-POUNDS (IN-LB).



# Hub City Worm Gear Drives

## Single Reduction PowerCubeX® Catalog Ratings

### Series W150

SERIES	INPUT RPM	RATIO	OUTPUT RPM	CONVENTIONAL OIL					PAO SYNTHETIC OIL			PAG SYNTHETIC OIL		
				MECH. INPUT HP	EFF. %	MECH. OUTPUT TORQUE	THERMAL INPUT HP	THERMAL OUTPUT TORQUE	INPUT HP	EFF. %	OUTPUT TORQUE	INPUT HP	EFF. %	OUTPUT TORQUE
W150	2500	5	500	2.25	85.6	243	2.05	221	2.25	90.7	258	2.25	93.5	266
		7.5	333	1.66	83.6	263	1.52	240	1.66	88.7	279	1.66	91.4	288
		10	250	1.37	81.5	281	1.14	234	1.37	86.4	298	1.37	89.1	307
		15	167	1.03	77.5	301	0.87	254	1.03	82.2	319	1.03	84.7	329
		20	125	0.84	74.4	313	0.76	283	0.84	78.8	332	0.84	81.3	343
		25	100	0.71	71.4	319	0.60	272	0.71	75.7	338	0.71	78.1	348
		30	83.3	0.61	67.4	309	0.55	278	0.61	71.5	328	0.61	73.7	338
		40	62.5	0.49	62.7	312	0.46	294	0.49	66.5	331	0.49	68.6	341
		50	50.0	0.41	58.7	306	0.37	279	0.41	62.2	325	0.41	64.1	335
		60	41.7	0.35	55.1	293	THERMAL EQUALS MECHANICAL		0.35	58.4	311	0.35	60.2	320
	80	31.3	0.250	48.8	244			0.250	51.8	259	0.250	53.4	267	
	100	25.0	0.170	44.2	194			0.170	46.8	206	0.170	48.3	212	
	1750	5	350	1.94	84.6	296	2.00	305	1.94	89.6	314	1.94	92.4	323
		7.5	233	1.50	82.3	330	1.45	323	1.50	87.3	350	1.50	90.0	361
		10	175	1.22	79.9	351	1.10	317	1.22	84.7	372	1.22	87.3	384
		15	117	0.92	75.4	375	0.82	335	0.92	79.9	398	0.92	82.4	410
		20	87.5	0.75	71.8	387	0.72	370	0.75	76.2	411	0.75	78.5	423
		25	70.0	0.63	68.6	392	0.57	356	0.63	72.8	416	0.63	75.0	428
		30	58.3	0.55	64.3	385	0.50	348	0.55	68.1	408	0.55	70.3	420
		40	43.8	0.45	59.3	385	THERMAL EQUALS MECHANICAL		0.45	62.8	408	0.45	64.8	421
		50	35.0	0.38	55.0	376			0.38	58.3	399	0.38	60.1	411
		60	29.2	0.33	51.3	359			0.33	54.4	381	0.33	56.1	392
	80	21.9	0.230	44.9	299			0.230	47.7	316	0.230	49.1	326	
	100	17.5	0.160	40.3	236			0.160	42.7	251	0.160	44.1	258	
	1170	5	234	1.58	83.3	355	THERMAL EQUALS MECHANICAL		1.58	88.3	376	1.58	91.0	388
		7.5	156	1.21	80.7	393			1.21	85.5	417	1.21	88.2	430
		10	117	1.00	77.9	417			1.00	82.6	442	1.00	85.2	456
		15	78.0	0.76	72.8	445			0.76	77.2	471	0.76	79.6	486
		20	58.5	0.61	68.9	456			0.61	73.0	484	0.61	75.3	499
		25	46.8	0.52	65.4	460			0.52	69.3	488	0.52	71.5	503
		30	39.0	0.46	60.7	456			0.46	64.3	483	0.46	66.3	498
		40	29.3	0.38	55.4	453			0.38	58.7	481	0.38	60.5	496
		50	23.4	0.33	51.0	441			0.33	54.0	468	0.33	55.7	482
		60	19.5	0.28	47.2	420			0.28	50.0	445	0.28	51.6	459
	80	14.6	0.200	40.8	349			0.200	43.3	370	0.200	44.6	381	
	100	11.7	0.140	36.3	275			0.140	38.5	292	0.140	39.7	301	
	100	5	20.0	0.210	75.5	497	THERMAL EQUALS MECHANICAL		0.210	80.1	527	0.210	82.5	543
		7.5	13.3	0.160	71.3	543			0.160	75.6	576	0.160	77.9	593
		10	10.0	0.140	66.9	574			0.140	70.9	608	0.140	73.1	627
		15	6.7	0.110	59.4	609			0.110	63.0	646	0.110	64.9	666
		20	5.0	0.090	54.4	617			0.090	57.6	654	0.090	59.4	674
		25	4.0	0.080	50.1	617			0.080	53.1	655	0.080	54.8	675
		30	3.3	0.070	44.3	623			0.070	46.9	660	0.070	48.4	680
		40	2.5	0.060	38.8	613			0.060	41.2	649	0.060	42.5	669
		50	2.0	0.050	34.6	592			0.050	36.7	628	0.050	37.8	647
		60	1.7	0.050	31.2	560			0.050	33.1	594	0.050	34.1	613
	80	1.3	0.040	25.8	464			0.040	27.3	492	0.040	28.2	508	
	100	1.0	0.030	22.3	365			0.030	23.6	387	0.030	24.4	398	

ADDITIONAL RATINGS FOR OTHER INPUT SPEEDS ARE AVAILABLE AT WWW.HUBCITYINC.COM

‡OHL AND THRUST VALUES SHOWN ARE INDEPENDENT FUNCTIONS AND CANNOT BE APPLIED SIMULTANEOUSLY.

REFER APPLICATIONS WITH COMBINED OHL AND THRUST TO HUB CITY CUSTOMER SERVICE DEPARTMENT.

\*\*OVERHUNG LOAD - LOW SPEED SHAFT — MODELS 151 AND 154 860 LBS. AT CENTER POINT OF SHAFT EXTENSION. MODELS 152 AND 155 NOT APPLICABLE. THRUST‡ UP OR DOWN 790 LBS.

OUTPUT TORQUE VALUES SHOWN ARE INCH-POUNDS (IN-LB).

# Hub City Worm Gear Drives

## Single Reduction

### PowerCubeX® Catalog Ratings

#### Series 180

SERIES	INPUT RPM	RATIO	OUTPUT RPM	CONVENTIONAL OIL					PAO SYNTHETIC OIL			PAG SYNTHETIC OIL		
				MECH. INPUT HP	EFF. %	MECH. OUTPUT TORQUE	THERMAL INPUT HP	THERMAL OUTPUT TORQUE	INPUT HP	EFF. %	OUTPUT TORQUE	INPUT HP	EFF. %	OUTPUT TORQUE
180	2500	5	500	3.00	86.8	328	2.11	231	3.00	92.0	348	3.00	94.8	358
		7.5	333	2.40	85.6	389	1.61	261	2.40	90.8	413	2.40	93.6	425
		10	250	1.96	84.7	418	1.42	304	1.96	89.8	443	1.96	92.6	457
		15	167	1.48	81.5	455	1.00	307	1.48	86.4	483	1.48	89.1	498
		20	125	1.16	79.8	465	1.04	416	1.16	84.6	493	1.16	87.2	509
		25	100	0.95	78.0	466	0.80	397	0.95	82.7	494	0.95	85.2	509
		30	83.3	0.84	74.0	471	0.68	383	0.84	78.4	499	0.84	80.8	515
		40	62.5	0.65	71.1	465	THERMAL EQUALS MECHANICAL	0.65	75.4	493	0.65	77.8	509	
		50	50.0	0.52	68.2	449		0.52	72.4	476	0.52	74.6	491	
		60	41.7	0.43	65.0	427		0.43	68.9	452	0.43	71.0	466	
	80	31.3	0.28	60.8	348	0.28		64.4	369	0.28	66.4	380		
	100	25.0	0.191	56.7	272	0.191		60.1	289	0.191	61.9	298		
	1750	5	350	2.57	85.9	397	2.04	315	2.57	91.1	421	2.57	93.9	434
		7.5	233	2.05	84.7	468	1.53	349	2.05	89.7	496	2.05	92.5	511
		10	175	1.63	83.6	491	1.34	404	1.63	88.6	520	1.63	91.4	536
		15	117	1.25	80.0	541	1.00	446	1.25	84.8	573	1.25	87.4	591
		20	87.5	1.00	78.0	541	0.90	510	1.00	82.7	574	1.00	85.3	591
		25	70.0	0.78	76.0	536	0.75	520	0.78	80.6	569	0.78	83.1	586
		30	58.3	0.75	71.5	557	0.64	495	0.75	75.8	590	0.75	78.1	609
		40	43.8	0.55	68.5	540	THERMAL EQUALS MECHANICAL	0.55	72.6	572	0.55	74.8	590	
		50	35.0	0.44	65.4	516		0.44	69.3	547	0.44	71.4	564	
		60	29.2	0.37	61.9	490		0.37	65.6	520	0.37	67.6	536	
	80	21.9	0.25	57.5	395	0.25		61.0	419	0.25	62.9	432		
	100	17.5	0.160	53.3	308	0.160		56.5	326	0.160	58.2	336		
	1170	5	234	2.02	84.9	461	1.84	419	2.02	90.0	489	2.02	92.8	504
		7.5	156	1.60	83.5	540	1.40	472	1.60	88.5	572	1.60	91.2	590
		10	117	1.25	82.3	555	THERMAL EQUALS MECHANICAL	1.25	87.2	589	1.25	89.9	607	
		15	78.0	1.00	78.1	617		1.00	82.8	654	1.00	85.3	675	
		20	58.5	0.75	76.0	608		0.75	80.6	644	0.75	83.1	664	
		25	46.8	0.60	73.8	598		0.60	78.2	634	0.60	80.6	654	
		30	39.0	0.57	68.7	634		0.57	72.8	672	0.57	75.0	693	
		40	29.3	0.43	65.5	606		0.43	69.4	642	0.43	71.5	662	
		50	23.4	0.34	62.2	575		0.34	65.9	610	0.34	68.0	629	
		60	19.5	0.29	58.5	546		0.29	62.0	579	0.29	63.9	597	
	80	14.6	0.187	54.0	436	0.187		57.3	462	0.187	59.0	476		
	100	11.7	0.126	49.7	338	0.126		52.7	358	0.126	54.3	369		
	100	5	20.0	0.244	79.1	607	THERMAL EQUALS MECHANICAL	0.244	83.8	644	0.244	86.4	664	
		7.5	13.3	0.194	76.6	702		0.194	81.2	744	0.194	83.8	767	
		10	10.0	0.147	75.2	697		0.147	79.7	739	0.147	82.2	762	
		15	6.7	0.122	68.3	788		0.122	72.4	836	0.122	74.7	861	
		20	5.0	0.091	65.8	754		0.091	69.8	799	0.091	71.9	824	
		25	4.0	0.074	63.0	731		0.074	66.8	775	0.074	68.8	799	
		30	3.3	0.077	55.3	806		0.077	58.7	854	0.077	60.5	881	
		40	2.5	0.057	52.0	748		0.057	55.2	793	0.057	56.9	818	
		50	2.0	0.046	48.5	702		0.046	51.4	744	0.046	53.0	767	
60		1.7	0.040	44.4	666	0.040		47.1	706	0.040	48.5	728		
80	1.3	0.026	40.2	521	0.026	42.7	553	0.026	44.0	570				
100	1.0	0.018	36.1	402	0.018	38.3	426	0.018	39.5	439				

ADDITIONAL RATINGS FOR OTHER INPUT SPEEDS ARE AVAILABLE AT WWW.HUBCITYINC.COM

OVERHUNG LOAD - LOW SPEED SHAFT.

MODELS 181 AND 184 550 LBS. AT CENTER POINT OF SHAFT EXTENSION. MODELS 182 AND 185 NOT APPLICABLE.

THRUST ‡ UP OR DOWN 600 LBS.

‡OHL AND THRUST VALUES SHOWN ARE INDEPENDENT FUNCTIONS AND CANNOT BE APPLIED SIMULTANEOUSLY.

REFER APPLICATIONS WITH COMBINED OHL AND THRUST TO HUB CITY CUSTOMER SERVICE DEPARTMENT.

OUTPUT TORQUE VALUES SHOWN ARE INCH-POUNDS (IN-LB).

# Hub City Worm Gear Drives

## Single Reduction PowerCubeX® Catalog Ratings

### Series 210

SERIES	INPUT RPM	RATIO	OUTPUT RPM	CONVENTIONAL OIL					PAO SYNTHETIC OIL			PAG SYNTHETIC OIL		
				MECH. INPUT HP	EFF. %	MECH. OUTPUT TORQUE	THERMAL INPUT HP	THERMAL OUTPUT TORQUE	INPUT HP	EFF. %	OUTPUT TORQUE	INPUT HP	EFF. %	OUTPUT TORQUE
210	2500	5	500	4.40	87.1	483	2.91	319	4.40	92.3	512	4.40	95.2	528
		7.5	333	3.55	86.1	578	2.17	353	3.55	91.2	612	3.55	94.1	631
		10	250	2.93	85.2	629	2.00	429	2.93	90.4	667	2.93	93.2	688
		15	167	2.19	83.0	686	1.45	454	2.19	87.9	727	2.19	90.7	750
		20	125	1.73	80.7	705	1.32	538	1.73	85.5	747	1.73	88.2	770
		25	100	1.42	79.2	707	1.19	592	1.42	83.9	749	1.42	86.5	772
		30	83.3	1.23	76.4	713	0.91	526	1.23	81.0	756	1.23	83.5	779
		40	62.5	0.97	72.5	706	0.84	611	0.97	76.9	748	0.97	79.3	772
		50	50.0	0.77	70.1	682	0.72	638	0.77	74.3	723	0.77	76.6	746
		60	41.7	0.65	65.8	651	0.61	611	0.65	69.8	690	0.65	71.9	712
	80	31.3	0.41	63.3	528	0.38	489	0.41	67.1	560	0.41	69.2	578	
	100	25.0	0.29	58.0	421	0.27	392	0.29	61.5	446	0.29	63.4	460	
	1750	5	350	3.89	86.3	605	2.80	435	3.89	91.5	641	3.89	94.4	661
		7.5	233	3.12	85.1	718	2.07	476	3.12	90.2	761	3.12	93.0	784
		10	175	2.50	84.2	758	1.91	579	2.50	89.3	803	2.50	92.0	828
		15	117	1.86	81.6	819	1.37	603	1.86	86.5	868	1.86	89.1	895
		20	87.5	1.50	79.0	839	1.25	699	1.50	83.7	890	1.50	86.3	917
		25	70.0	1.19	77.3	828	1.13	786	1.19	82.0	878	1.19	84.5	905
		30	58.3	1.06	74.2	847	0.86	680	1.06	78.7	898	1.06	81.1	926
		40	43.8	0.83	69.9	838	0.79	798	0.83	74.1	889	0.83	76.4	916
		50	35.0	0.66	67.3	798	THERMAL EQUALS MECHANICAL		0.66	71.4	846	0.66	73.6	873
		60	29.2	0.57	62.6	773			0.57	66.4	819	0.57	68.5	845
	80	21.9	0.35	60.1	607	0.35			63.7	644	0.35	65.7	664	
	100	17.5	0.25	54.5	487	0.25			57.8	516	0.25	59.5	532	
	1170	5	234	3.13	85.4	719	2.40	551	3.13	90.5	762	3.13	93.3	786
		7.5	156	2.50	84.0	849	1.58	537	2.50	89.0	900	2.50	91.8	928
		10	117	2.00	82.9	875	1.68	735	2.00	87.9	927	2.00	90.6	956
		15	78.0	1.50	79.9	940	1.29	808	1.50	84.7	996	1.50	87.3	1027
		20	58.5	1.16	77.0	961	THERMAL EQUALS MECHANICAL		1.16	81.6	1018	1.16	84.1	1050
		25	46.8	0.93	75.2	937			0.93	79.7	993	0.93	82.1	1024
		30	39.0	0.84	71.6	968			0.84	75.9	1026	0.84	78.3	1058
		40	29.3	0.66	66.9	958			0.66	70.9	1015	0.66	73.1	1047
		50	23.4	0.52	64.2	901			0.52	68.0	956	0.52	70.1	985
		60	19.5	0.46	59.1	883			0.46	62.6	936	0.46	64.6	964
	80	14.6	0.28	56.6	676	0.28			60.0	717	0.28	61.8	739	
	100	11.7	0.200	50.8	546	0.200			53.8	578	0.200	55.5	596	
	100	5	20.0	0.40	79.4	989	THERMAL EQUALS MECHANICAL		0.40	84.2	1049	0.40	86.8	1081
		7.5	13.3	0.32	77.0	1158			0.32	81.6	1228	0.32	84.1	1266
		10	10.0	0.239	75.7	1140			0.239	80.3	1208	0.239	82.7	1246
		15	6.7	0.180	71.0	1211			0.180	75.3	1284	0.180	77.6	1323
20		5.0	0.147	66.6	1233	0.147			70.6	1307	0.147	72.8	1347	
25		4.0	0.116	64.4	1176	0.116			68.2	1246	0.116	70.3	1285	
30		3.3	0.111	59.1	1238	0.111			62.6	1313	0.111	64.6	1353	
40		2.5	0.092	53.0	1224	0.092			56.2	1297	0.092	57.9	1338	
50		2.0	0.071	50.2	1128	0.071			53.2	1195	0.071	54.9	1232	
60		1.7	0.068	43.9	1127	0.068			46.6	1195	0.068	48.0	1232	
80	1.3	0.039	42.4	825	0.039	44.9	874	0.039	46.3	901				
100	1.0	0.029	36.2	672	0.029	38.4	713	0.029	39.6	735				

Worm Gear Drives



ADDITIONAL RATINGS FOR OTHER INPUT SPEEDS ARE AVAILABLE AT [WWW.HUBCITYINC.COM](http://WWW.HUBCITYINC.COM)

\* OVERHUNG LOAD - LOW SPEED SHAFT — MODELS 211 AND 214 550 LBS. AT CENTER POINT OF SHAFT EXTENSION. MODELS 212 AND 215 NOT APPLICABLE. THRUST± UP OR DOWN 600 LBS.

±OHL AND THRUST VALUES SHOWN ARE INDEPENDENT FUNCTIONS AND CANNOT BE APPLIED SIMULTANEOUSLY. REFER APPLICATIONS WITH COMBINED OHL AND THRUST TO HUB CITY CUSTOMER SERVICE DEPARTMENT.

OUTPUT TORQUE VALUES SHOWN ARE INCH-POUNDS (IN-LB).

# Hub City Worm Gear Drives

## Single Reduction

### PowerCubeX® Catalog Ratings

#### Series W240

SERIES	INPUT RPM	RATIO	OUTPUT RPM	CONVENTIONAL OIL					PAO SYNTHETIC OIL			PAG SYNTHETIC OIL		
				MECH. INPUT HP	EFF. %	MECH. OUTPUT TORQUE	THERMAL INPUT HP	THERMAL OUTPUT TORQUE	INPUT HP	EFF. %	OUTPUT TORQUE	INPUT HP	EFF. %	OUTPUT TORQUE
W240	2500	5	500	6.63	87.4	731	3.98	439	6.63	92.6	774	6.63	95.5	798
		7.5	333	5.27	86.3	859	2.88	469	5.27	91.5	911	5.27	94.3	939
		10	250	4.17	85.5	900	3.11	671	4.17	90.7	954	4.17	93.5	983
		15	167	3.12	83.3	983	1.90	599	3.12	88.3	1042	3.12	91.0	1074
		20	125	2.47	81.1	1012	2.10	860	2.47	86.0	1073	2.47	88.7	1106
		25	100	2.05	79.3	1024	1.89	944	2.05	84.1	1086	2.05	86.7	1119
		30	83.3	1.76	76.9	1022	1.05	604	1.76	81.5	1084	1.76	84.0	1117
		40	62.5	1.37	73.2	1014	1.10	816	1.37	77.6	1075	1.37	80.0	1109
		50	50.0	1.12	70.2	989	1.10	973	1.12	74.5	1049	1.12	76.8	1081
		60	41.7	0.90	68.7	940	0.64	669	0.90	72.8	996	0.90	75.1	1027
	80	31.3	0.60	63.9	779	0.56	722	0.60	67.7	826	0.60	69.8	851	
	100	25.0	0.40	60.0	612	0.38	579	0.40	63.6	649	0.40	65.5	669	
	1750	5	350	5.69	86.6	888	3.89	606	5.69	91.9	941	5.69	94.7	970
		7.5	233	4.53	85.4	1046	2.78	643	4.53	90.5	1109	4.53	93.3	1143
		10	175	3.69	84.5	1123	3.00	910	3.69	89.6	1190	3.69	92.3	1227
		15	117	2.75	81.9	1216	1.82	803	2.75	86.8	1289	2.75	89.5	1329
		20	87.5	2.17	79.5	1245	2.00	1138	2.17	84.2	1320	2.17	86.8	1360
		25	70.0	1.79	77.4	1248	1.79	1244	1.79	82.1	1323	1.79	84.6	1364
		30	58.3	1.56	74.7	1258	1.00	796	1.56	79.1	1334	1.56	81.6	1375
		40	43.8	1.22	70.6	1244	1.05	1071	1.22	74.8	1319	1.22	77.1	1360
		50	35.0	1.00	67.4	1203	1.00	1203	1.00	71.4	1276	1.00	73.6	1315
		60	29.2	0.79	65.7	1119	0.61	863	0.79	69.7	1186	0.79	71.8	1222
	80	21.9	0.53	60.6	922	0.50	840	0.53	64.2	977	0.53	66.2	1007	
	100	17.5	0.35	56.5	720	0.33	670	0.35	59.9	763	0.35	61.7	787	
	1170	5	234	4.72	85.7	1090	3.52	813	4.72	90.8	1156	4.72	93.7	1192
		7.5	156	3.75	84.2	1277	2.16	736	3.75	89.3	1354	3.75	92.1	1395
		10	117	3.00	83.2	1333	2.81	1263	3.00	88.2	1413	3.00	90.9	1456
		15	78.0	2.21	80.2	1433	1.74	1130	2.21	85.0	1519	2.21	87.7	1566
		20	58.5	1.75	77.4	1461	1.75	1461	1.75	82.1	1549	1.75	84.6	1597
		25	46.8	1.50	75.1	1455	1.50	1455	1.50	79.6	1542	1.50	82.1	1590
		30	39.0	1.27	72.0	1477	1.00	1124	1.27	76.3	1566	1.27	78.7	1614
		40	29.3	1.00	67.5	1457	1.00	1457	1.00	71.6	1545	1.00	73.8	1592
		50	23.4	0.81	64.0	1400	0.81	1400	0.81	67.9	1484	0.81	70.0	1530
		60	19.5	0.63	62.4	1280	0.61	1237	0.63	66.1	1357	0.63	68.1	1398
	80	14.6	0.43	56.9	1050	0.40	974	0.43	60.4	1113	0.43	62.2	1147	
	100	11.7	0.29	52.7	816	0.27	769	0.29	55.9	865	0.29	57.6	892	
	100	5	20.0	0.63	79.6	1593	THERMAL EQUALS MECHANICAL	0.63	84.4	1688	0.63	87.0	1741	
		7.5	13.3	0.51	77.0	1846		0.51	81.6	1956	0.51	84.1	2017	
		10	10.0	0.380	75.6	1828		0.380	80.1	1938	0.380	82.6	1998	
		15	6.7	0.290	70.7	1942		0.290	75.0	2059	0.290	77.3	2122	
		20	5.0	0.234	66.5	1964		0.234	70.5	2082	0.234	72.7	2146	
		25	4.0	0.194	63.3	1930		0.194	67.1	2046	0.194	69.2	2109	
		30	3.3	0.179	58.6	1986		0.179	62.2	2106	0.179	64.1	2171	
		40	2.5	0.146	52.8	1950		0.146	56.0	2067	0.146	57.7	2131	
		50	2.0	0.120	48.8	1851		0.120	51.7	1963	0.120	53.3	2023	
60		1.7	0.091	47.5	1640	0.091		50.4	1739	0.091	51.9	1792		
80		1.3	0.063	41.7	1335	0.063		44.2	1415	0.063	45.6	1459		
100		1.0	0.043	37.6	1028	0.043		39.8	1090	0.043	41.1	1124		

ADDITIONAL RATINGS FOR OTHER INPUT SPEEDS ARE AVAILABLE AT WWW.HUBCITYINC.COM

\*\* OVERHUNG LOAD - LOW SPEED SHAFT — MODELS 241 AND 244 1400 LBS. AT CENTER POINT OF SHAFT EXTENSION. MODELS 242 AND 245 NOT APPLICABLE. THRUST± UP OR DOWN 1450 LBS.

±OHL AND THRUST VALUES SHOWN ARE INDEPENDENT FUNCTIONS AND CANNOT BE APPLIED SIMULTANEOUSLY. REFER APPLICATIONS WITH COMBINED OHL AND THRUST TO HUB CITY CUSTOMER SERVICE DEPARTMENT.

OUTPUT TORQUE VALUES SHOWN ARE INCH-POUNDS (IN-LB).

# Hub City Worm Gear Drives

## Single Reduction PowerCubeX® Catalog Ratings

### Series 260

SERIES	INPUT RPM	RATIO	OUTPUT RPM	CONVENTIONAL OIL				PAO SYNTHETIC OIL			PAG SYNTHETIC OIL			
				MECH. INPUT HP	EFF. %	MECH. OUTPUT TORQUE	THERMAL INPUT HP	THERMAL OUTPUT TORQUE	INPUT HP	EFF. %	OUTPUT TORQUE	INPUT HP	EFF. %	OUTPUT TORQUE
260	2500	5	500	8.61	87.4	948	4.30	473	8.61	92.6	1005	8.61	95.5	1037
		7.5	333	6.68	86.6	1095	3.70	607	6.68	91.8	1160	6.68	94.7	1196
		10	250	5.64	85.8	1220	3.65	790	5.64	91.0	1293	5.64	93.8	1333
		15	167	4.03	84.4	1288	2.30	735	4.03	89.5	1365	4.03	92.2	1407
		20	125	3.21	82.1	1329	2.47	1023	3.21	87.0	1409	3.21	89.7	1453
		25	100	2.65	80.5	1345	2.25	1142	2.65	85.3	1426	2.65	88.0	1470
		30	83.3	2.26	79.0	1350	1.36	812	2.26	83.7	1431	2.26	86.3	1476
		40	62.5	1.77	74.8	1336	1.38	1042	1.77	79.3	1417	1.77	81.8	1460
		50	50.0	1.43	72.2	1302	1.35	1229	1.43	76.5	1380	1.43	78.9	1422
		60	41.7	1.17	69.7	1236	0.89	940	1.17	73.9	1311	1.17	76.2	1351
	80	31.3	0.77	65.8	1021	0.67	888	0.77	69.8	1082	0.77	72.0	1116	
	100	25.0	0.51	62.1	801	0.45	707	0.51	65.9	849	0.51	67.9	876	
	1750	5	350	7.35	86.7	1147	4.21	657	7.35	91.9	1216	7.35	94.7	1254
		7.5	233	5.73	85.8	1327	3.62	838	5.73	90.9	1407	5.73	93.7	1450
		10	175	5.00	84.8	1485	3.55	1054	5.00	89.9	1575	5.00	92.7	1623
		15	117	3.49	83.2	1570	2.20	990	3.49	88.2	1664	3.49	90.9	1716
		20	87.5	2.83	80.6	1640	2.37	1373	2.83	85.4	1738	2.83	88.0	1792
		25	70.0	2.31	78.7	1640	2.12	1505	2.31	83.5	1739	2.31	86.1	1793
		30	58.3	2.00	77.0	1634	1.29	1054	2.00	81.7	1732	2.00	84.2	1785
		40	43.8	1.58	72.4	1642	1.31	1361	1.58	76.7	1741	1.58	79.1	1795
		50	35.0	1.27	69.5	1583	1.27	1583	1.27	73.6	1678	1.27	75.9	1730
		60	29.2	1.03	66.8	1493	0.84	1218	1.03	70.8	1583	1.03	73.0	1632
	80	21.9	0.67	62.7	1212	0.59	1067	0.67	66.4	1285	0.67	68.5	1325	
	100	17.5	0.45	58.7	945	0.40	840	0.45	62.3	1001	0.45	64.2	1032	
	1170	5	234	6.19	85.7	1429	3.81	880	6.19	90.9	1515	6.19	93.7	1562
		7.5	156	4.81	84.7	1644	3.25	1111	4.81	89.8	1743	4.81	92.5	1796
		10	117	3.98	83.6	1792	3.20	1441	3.98	88.6	1899	3.98	91.3	1958
		15	78.0	2.77	81.7	1830	2.12	1401	2.77	86.6	1940	2.77	89.3	2000
		20	58.5	2.28	78.7	1929	2.26	1912	2.28	83.4	2045	2.28	86.0	2108
		25	46.8	1.85	76.6	1912	1.85	1912	1.85	81.3	2027	1.85	83.8	2090
		30	39.0	1.57	74.7	1893	1.27	1531	1.57	79.2	2007	1.57	81.7	2069
		40	29.3	1.29	69.5	1926	THERMAL EQUALS MECHANICAL		1.29	73.7	2042	1.29	76.0	2105
		50	23.4	1.03	66.3	1842			1.03	70.3	1952	1.03	72.5	2013
		60	19.5	0.84	63.5	1728			0.84	67.3	1832	0.84	69.4	1888
	80	14.6	0.54	59.1	1384	0.54			62.7	1468	0.54	64.6	1513	
	100	11.7	0.36	55.0	1073	THERMAL EQUALS MECHANICAL		0.36	58.3	1138	0.36	60.1	1173	
	5	20.0	0.86	79.4	2144			0.86	84.2	2273	0.86	86.8	2344	
	7.5	13.3	0.67	77.6	2439			0.67	82.2	2586	0.67	84.8	2666	
	10	10.0	0.53	76.0	2531			0.53	80.5	2683	0.53	83.0	2766	
	15	6.7	0.35	73.5	2429			0.35	77.9	2575	0.35	80.3	2654	
20	5.0	0.30	68.3	2604	0.30			72.5	2760	0.30	74.7	2846		
25	4.0	0.246	65.5	2538	0.246			69.4	2691	0.246	71.6	2774		
30	3.3	0.209	62.9	2485	0.209			66.7	2634	0.209	68.7	2716		
40	2.5	0.185	55.3	2585	0.185			58.6	2741	0.185	60.4	2826		
50	2.0	0.150	51.6	2435	0.150			54.7	2581	0.150	56.4	2661		
60	1.7	0.124	48.3	2261	0.124	51.2	2397	0.124	52.8	2471				
80	1.3	0.080	44.0	1769	0.080	46.6	1875	0.080	48.0	1933				
100	1.0	0.054	39.9	1357	0.054	42.2	1439	0.054	43.6	1484				

Worm Gear Drives



ADDITIONAL RATINGS FOR OTHER INPUT SPEEDS ARE AVAILABLE AT WWW.HUBCITYINC.COM

\* OVERHUNG LOAD - LOW SPEED SHAFT — MODELS 261 AND 264 1150 LBS. AT CENTER POINT OF SHAFT EXTENSION. MODELS 262 AND 265 NOT APPLICABLE. THRUST± UP OR DOWN 1000 LBS.

±OHL AND THRUST VALUES SHOWN ARE INDEPENDENT FUNCTIONS AND CANNOT BE APPLIED SIMULTANEOUSLY. REFER APPLICATIONS WITH COMBINED OHL AND THRUST TO HUB CITY CUSTOMER SERVICE DEPARTMENT.

OUTPUT TORQUE VALUES SHOWN ARE INCH-POUNDS (IN-LB).

# Hub City Worm Gear Drives

## Single Reduction

### PowerCubeX® Catalog Ratings

#### Series 300

SERIES	INPUT RPM	RATIO	OUTPUT RPM	CONVENTIONAL OIL					PAO SYNTHETIC OIL			PAG SYNTHETIC OIL		
				MECH. INPUT HP	EFF. %	MECH. OUTPUT TORQUE	THERMAL INPUT HP	THERMAL OUTPUT TORQUE	INPUT HP	EFF. %	OUTPUT TORQUE	INPUT HP	EFF. %	OUTPUT TORQUE
300	2500	5	500	9.20	87.8	1018	7.01	776	9.20	93.1	1080	9.20	96.0	1113
		7.5	333	7.49	86.8	1229	6.62	1087	7.49	92.0	1303	7.49	94.9	1343
		10	250	6.75	86.0	1463	4.33	939	6.75	91.1	1551	6.75	93.9	1599
		15	167	5.36	84.0	1705	3.39	1078	5.36	89.1	1807	5.36	91.8	1863
		20	125	4.52	82.1	1872	2.76	1144	4.52	87.1	1985	4.52	89.8	2046
		25	100	3.87	80.4	1959	2.35	1191	3.87	85.2	2076	3.87	87.9	2141
		30	83.3	3.43	78.6	2040	1.93	1145	3.43	83.3	2162	3.43	85.9	2229
		40	62.5	2.68	74.8	2020	1.58	1194	2.68	79.3	2141	2.68	81.8	2208
		50	50.0	2.16	72.0	1962	1.39	1260	2.16	76.3	2080	2.16	78.6	2144
		60	41.7	1.78	69.0	1863	1.22	1278	1.78	73.2	1975	1.78	75.4	2036
	80	31.3	1.14	65.6	1501	1.10	1449	1.14	69.5	1591	1.14	71.7	1641	
	100	25.0	0.76	61.8	1188	0.74	1152	0.76	65.5	1259	0.76	67.6	1298	
	1750	5	350	7.96	87.1	1249	6.79	1065	7.96	92.4	1324	7.96	95.2	1365
		7.5	233	6.33	86.0	1471	6.33	1470	6.33	91.2	1560	6.33	94.0	1608
		10	175	5.79	85.0	1774	4.16	1274	5.79	90.1	1880	5.79	92.9	1939
		15	117	4.64	82.7	2074	3.23	1445	4.64	87.7	2199	4.64	90.4	2267
		20	87.5	3.92	80.6	2277	2.64	1533	3.92	85.4	2414	3.92	88.1	2488
		25	70.0	3.37	78.6	2385	2.26	1596	3.37	83.3	2528	3.37	85.9	2606
		30	58.3	3.00	76.5	2484	1.84	1521	3.00	81.1	2633	3.00	83.7	2714
		40	43.8	2.36	72.3	2458	1.52	1581	2.36	76.7	2606	2.36	79.0	2686
		50	35.0	1.92	69.2	2389	1.32	1642	1.92	73.3	2533	1.92	75.6	2611
		60	29.2	1.59	66.0	2269	1.17	1664	1.59	70.0	2405	1.59	72.1	2480
	80	21.9	1.04	62.3	1870	THERMAL EQUALS MECHANICAL		1.04	66.0	1982	1.04	68.1	2044	
	100	17.5	0.70	58.3	1466	THERMAL EQUALS MECHANICAL		0.70	61.8	1554	0.70	63.7	1603	
	1170	5	234	6.70	86.3	1556	6.04	1403	6.70	91.5	1650	6.70	94.3	1701
		7.5	156	5.45	84.9	1870	5.39	1849	5.45	90.0	1982	5.45	92.8	2043
		10	117	4.87	83.7	2197	3.92	1767	4.87	88.8	2329	4.87	91.5	2401
		15	78.0	3.86	81.1	2532	3.11	2042	3.86	86.0	2684	3.86	88.7	2767
		20	58.5	3.29	78.6	2787	2.48	2097	3.29	83.3	2955	3.29	85.9	3046
		25	46.8	2.82	76.4	2898	2.18	2239	2.82	81.0	3072	2.82	83.5	3167
		30	39.0	2.52	74.0	3015	1.79	2145	2.52	78.5	3197	2.52	80.9	3295
		40	29.3	2.01	69.3	3000	1.52	2266	2.01	73.5	3181	2.01	75.8	3279
		50	23.4	1.63	65.9	2897	1.35	2405	1.63	69.8	3071	1.63	72.0	3166
		60	19.5	1.36	62.4	2751	1.22	2470	1.36	66.2	2916	1.36	68.2	3006
	80	14.6	0.88	58.5	2216	THERMAL EQUALS MECHANICAL		0.88	62.0	2350	0.88	63.9	2422	
	100	11.7	0.59	54.4	1726	THERMAL EQUALS MECHANICAL		0.59	57.6	1830	0.59	59.4	1886	
100	5	20.0	0.99	80.2	2493	THERMAL EQUALS MECHANICAL		0.99	85.0	2642	0.99	87.6	2724	
	7.5	13.3	0.79	77.6	2909	THERMAL EQUALS MECHANICAL		0.79	82.3	3084	0.79	84.9	3180	
	10	10.0	0.68	75.8	3261	THERMAL EQUALS MECHANICAL		0.68	80.4	3457	0.68	82.9	3564	
	15	6.7	0.54	71.5	3659	THERMAL EQUALS MECHANICAL		0.54	75.8	3879	0.54	78.1	3999	
	20	5.0	0.48	67.3	4049	THERMAL EQUALS MECHANICAL		0.48	71.3	4292	0.48	73.5	4425	
	25	4.0	0.41	64.0	4151	THERMAL EQUALS MECHANICAL		0.41	67.8	4400	0.41	69.9	4536	
	30	3.3	0.38	60.5	4313	THERMAL EQUALS MECHANICAL		0.38	64.1	4572	0.38	66.1	4713	
	40	2.5	0.32	53.8	4334	THERMAL EQUALS MECHANICAL		0.32	57.0	4595	0.32	58.8	4737	
	50	2.0	0.26	49.6	4134	THERMAL EQUALS MECHANICAL		0.26	52.6	4383	0.26	54.2	4518	
	60	1.7	0.228	45.5	3924	THERMAL EQUALS MECHANICAL		0.228	48.2	4160	0.228	49.7	4288	
80	1.3	0.144	41.9	3033	THERMAL EQUALS MECHANICAL		0.144	44.4	3215	0.144	45.8	3314		
100	1.0	0.098	37.8	2332	THERMAL EQUALS MECHANICAL		0.098	40.1	2472	0.098	41.3	2548		

ADDITIONAL RATINGS FOR OTHER INPUT SPEEDS ARE AVAILABLE AT [WWW.HUBCITYINC.COM](http://WWW.HUBCITYINC.COM)

\*\* OVERHUNG LOAD - LOW SPEED SHAFT — MODELS 301 AND 304 1,150 LBS. AT CENTER POINT OF SHAFT EXTENSION. MODELS 302 AND 305 NOT APPLICABLE. THRUST ‡ UP OR DOWN 1,725 LBS.

‡ OHL AND THRUST VALUES SHOWN ARE INDEPENDENT FUNCTIONS AND CANNOT BE APPLIED SIMULTANEOUSLY. REFER APPLICATIONS WITH COMBINED OHL AND THRUST TO HUB CITY CUSTOMER SERVICE DEPARTMENT.

OUTPUT TORQUE VALUES SHOWN ARE INCH-POUNDS (IN-LB).

# Hub City Worm Gear Drives

## Single Reduction

### PowerCubeX® Catalog Ratings

#### Series 320

SERIES	INPUT RPM	RATIO	OUTPUT RPM	CONVENTIONAL OIL					PAO SYNTHETIC OIL			PAG SYNTHETIC OIL		
				MECH. INPUT HP	EFF. %	MECH. OUTPUT TORQUE	THERMAL INPUT HP	THERMAL OUTPUT TORQUE	INPUT HP	EFF. %	OUTPUT TORQUE	INPUT HP	EFF. %	OUTPUT TORQUE
320	2500	5	500	11.17	88.0	1238	7.15	792	11.17	93.2	1313	11.17	96.1	1353
		7.5	333	9.68	87.0	1591	6.50	1068	9.68	92.2	1687	9.68	95.1	1739
		10	250	7.92	86.4	1726	4.54	989	7.92	91.6	1830	7.92	94.5	1886
		15	167	6.51	84.2	2074	3.48	1109	6.51	89.3	2199	6.51	92.1	2267
		20	125	5.31	82.7	2213	2.86	1192	5.31	87.6	2346	5.31	90.3	2419
		25	100	4.51	81.1	2305	2.44	1247	4.51	86.0	2444	4.51	88.7	2519
		30	83.3	4.11	78.5	2437	2.04	1210	4.11	83.2	2584	4.11	85.8	2664
		40	62.5	3.13	75.7	2392	1.69	1292	3.13	80.3	2536	3.13	82.7	2614
		50	50.0	2.54	73.1	2342	1.47	1355	2.54	77.5	2483	2.54	79.9	2560
		60	41.7	2.08	70.7	2222	1.30	1389	2.08	75.0	2355	2.08	77.3	2428
	80	31.3	1.31	67.3	1782	1.22	1660	1.31	71.3	1889	1.31	73.5	1948	
	100	25.0	0.88	63.6	1408	0.84	1344	0.88	67.5	1493	0.88	69.6	1539	
	1750	5	350	10.00	87.3	1518	7.00	1063	10.00	92.6	1609	10.00	95.4	1659
		7.5	233	8.38	86.2	1951	6.40	1490	8.38	91.4	2068	8.38	94.2	2132
		10	175	6.76	85.5	2084	4.40	1356	6.76	90.7	2209	6.76	93.5	2277
		15	117	5.57	83.0	2498	3.35	1502	5.57	88.0	2649	5.57	90.7	2730
		20	87.5	4.59	81.2	2686	2.74	1603	4.59	86.1	2847	4.59	88.7	2935
		25	70.0	3.92	79.4	2805	2.34	1674	3.92	84.2	2973	3.92	86.8	3065
		30	58.3	3.56	76.4	2943	1.94	1604	3.56	81.0	3120	3.56	83.5	3217
		40	43.8	2.75	73.3	2906	1.62	1712	2.75	77.7	3080	2.75	80.1	3176
		50	35.0	2.25	70.5	2851	1.41	1787	2.25	74.7	3022	2.25	77.0	3116
		60	29.2	1.85	67.8	2706	1.25	1828	1.85	71.9	2868	1.85	74.1	2957
	80	21.9	1.20	64.1	2221	1.15	2128	1.20	68.0	2355	1.20	70.1	2427	
	100	17.5	0.80	60.2	1740	0.76	1653	0.80	63.9	1845	0.80	65.8	1902	
	1170	5	234	8.15	86.5	1897	6.22	1448	8.15	91.7	2011	8.15	94.5	2074
		7.5	156	7.09	85.1	2438	4.97	1709	7.09	90.3	2585	7.09	93.1	2665
		10	117	5.74	84.4	2608	4.12	1872	5.74	89.5	2765	5.74	92.2	2850
		15	78.0	5.00	81.4	3142	3.23	2030	5.00	86.3	3330	5.00	89.0	3433
		20	58.5	3.88	79.3	3317	2.56	2189	3.88	84.1	3517	3.88	86.7	3625
		25	46.8	3.29	77.3	3427	2.27	2365	3.29	82.0	3633	3.29	84.5	3745
		30	39.0	3.08	73.9	3681	1.90	2271	3.08	78.3	3902	3.08	80.7	4023
		40	29.3	2.36	70.4	3577	1.62	2455	2.36	74.6	3792	2.36	77.0	3909
		50	23.4	2.00	67.3	3475	1.50	2606	2.00	71.3	3684	2.00	73.5	3798
		60	19.5	1.57	64.4	3277	1.32	2755	1.57	68.3	3474	1.57	70.4	3581
	80	14.6	1.01	60.5	2633	0.95	2477	1.01	64.1	2792	1.01	66.1	2878	
	100	11.7	0.67	56.4	2050	0.64	1958	0.67	59.8	2173	0.67	61.6	2240	
	100	5	20.0	1.25	80.4	3155	THERMAL EQUALS MECHANICAL	1.25	85.2	3345	1.25	87.9	3448	
		7.5	13.3	1.10	77.7	4044		1.10	82.4	4287	1.10	84.9	4419	
		10	10.0	0.81	76.9	3946		0.81	81.5	4183	0.81	84.0	4313	
		15	6.7	0.71	71.4	4794		0.71	75.7	5082	0.71	78.1	5239	
		20	5.0	0.57	68.2	4898		0.57	72.3	5192	0.57	74.6	5353	
		25	4.0	0.48	65.3	4960		0.48	69.2	5258	0.48	71.3	5421	
		30	3.3	0.49	59.5	5560		0.49	63.1	5895	0.49	65.0	6077	
		40	2.5	0.38	55.0	5247		0.38	58.3	5562	0.38	60.1	5734	
		50	2.0	0.31	51.2	5008		0.31	54.3	5309	0.31	55.9	5473	
60		1.7	0.26	47.9	4665	0.26		50.7	4945	0.26	52.3	5098		
80		1.3	0.162	44.0	3605	0.162		46.7	3821	0.162	48.1	3940		
100		1.0	0.110	39.9	2772	0.110		42.2	2939	0.110	43.6	3029		

Worm Gear Drives



ADDITIONAL RATINGS FOR OTHER INPUT SPEEDS ARE AVAILABLE AT WWW.HUBCITYINC.COM

\*\* OVERHUNG LOAD - LOW SPEED SHAFT — MODELS 321 AND 324 1,100 LBS. AT CENTER POINT OF SHAFT EXTENSION.  
 MODELS 322 AND 325 NOT APPLICABLE.  
 MODELS 327 AND 328 — †OHL 1,280 LBS., †TO‡ THRUST OUT 1,790 LBS. AND †TI‡ THRUST IN 1,210 LBS.  
 †THRUST‡ UP OR DOWN 1,200 LBS.

†OHL AND THRUST VALUES SHOWN ARE INDEPENDENT FUNCTIONS AND CANNOT BE APPLIED SIMULTANEOUSLY. REFER APPLICATIONS WITH COMBINED OHL AND THRUST TO HUB CITY CUSTOMER SERVICE DEPARTMENT.

OUTPUT TORQUE VALUES SHOWN ARE INCH-POUNDS (IN-LB).

# Hub City Worm Gear Drives

## Single Reduction

### PowerCubeX® Catalog Ratings

#### Series 380

SERIES	INPUT RPM	RATIO	OUTPUT RPM	CONVENTIONAL OIL				PAO SYNTHETIC OIL				PAG SYNTHETIC OIL				
				MECH. INPUT HP	EFF. %	MECH. OUTPUT TORQUE	THERMAL INPUT HP	THERMAL OUTPUT TORQUE	MECH. INPUT HP	EFF. %	OUTPUT TORQUE	THERMAL INPUT HP	THERMAL OUTPUT TORQUE	INPUT HP	EFF. %	OUTPUT TORQUE
380	2500	5	500	22.9	91.7	2665	11.0	1272	22.9	94.5	2749	13.3	1590	22.9	97.5	2834
		10	250	14.4	88.2	3223	6.77	1506	14.4	90.8	3345	8.23	1883	14.4	93.8	3465
		15	167	10.2	85.0	3294	4.70	1511	10.2	87.6	3418	5.70	1889	10.2	90.4	3562
		20	125	8.52	83.2	3607	4.00	1679	8.52	85.7	3743	4.86	2099	8.52	88.4	3900
		30	83.3	5.72	77.6	3352	2.58	1516	5.72	79.9	3517	3.14	1895	5.72	82.5	3663
		40	62.5	4.83	74.7	3635	2.23	1679	4.83	76.9	3814	2.71	2100	4.83	79.4	3973
	1750	5	350	20.0	89.9	3230	10.1	1631	20.0	92.7	3332	12.2	2039	20.0	95.6	3435
		10	175	12.6	86.5	3907	6.20	1931	12.6	89.7	4054	7.47	2414	12.6	93.0	4200
		15	117	8.87	83.3	3993	4.30	1937	8.87	86.5	4143	5.18	2422	8.87	90.1	4317
		20	87.5	7.44	81.6	4372	3.66	2153	7.44	84.7	4537	4.41	2691	7.44	88.2	4727
		30	58.3	5.00	75.4	4063	2.39	1943	5.00	79.1	4263	2.84	2429	5.00	82.4	4440
		40	43.8	4.22	72.5	4406	2.06	2153	4.22	76.0	4623	2.46	2691	4.22	79.2	4816
	1170	5	234	16.5	89.0	4040	8.58	2093	16.5	91.9	4169	8.23	2617	16.5	94.7	4298
		10	117	10.3	85.1	4817	5.39	2512	10.3	88.3	4998	6.49	3140	10.3	91.5	5179
		15	78.0	7.44	81.6	4990	3.91	2622	7.44	84.7	5180	4.71	3278	7.44	88.2	5394
		20	58.5	6.27	79.6	5468	3.41	2975	6.27	82.6	5675	4.11	3719	6.27	86.0	5911
		30	39.0	4.24	72.6	5060	2.26	2694	4.24	76.1	5309	2.69	3367	4.24	79.3	5530
		40	29.3	3.61	69.3	5486	2.02	3060	3.61	72.7	5756	2.40	3825	3.61	75.7	5995
	100	5	23.4	2.90	65.9	5236	1.91	3444	2.90	69.1	5493	2.27	4305	2.90	72.0	5722
		60	19.5	2.38	62.4	4890	1.66	3408	2.38	65.5	5132	1.98	4260	2.38	68.6	5374
		5	20.0	3.11	82.3	8065	THERMAL EQUALS MECHANICAL		3.11	85.0	8322	THERMAL EQUALS MECHANICAL		3.11	87.6	8580
		10	10.0	1.94	75.6	9260			1.94	78.5	9806			1.94	81.3	9957
		15	6.7	1.50	69.6	9790			1.50	72.2	10160			1.50	75.2	10580
		20	5.0	0.95	66.3	7962			0.95	68.8	8264			0.95	71.7	8608
30		3.3	0.94	55.8	9905	0.94			58.6	10390	0.94			61.0	10820	
40		2.5	0.61	51.6	7990	0.61			54.1	8384	0.61			56.4	8734	
50	2.0	0.41	47.6	6100	0.41	49.9			6401	0.41	52.0			6667		
60	1.7	0.30	43.8	4890	0.30	45.9			5132	0.30	48.1			5374		

ADDITIONAL RATINGS FOR OTHER INPUT SPEEDS ARE AVAILABLE AT [WWW.HUBCITYINC.COM](http://WWW.HUBCITYINC.COM)

OVERHUNG LOAD - LOW SPEED SHAFT —

MODELS 381 AND 384 1,600 LBS. AT CENTER POINT OF SHAFT EXTENSION.

MODELS 382 AND 385 NOT APPLICABLE.

MODELS 387 AND 388 — OHL\* 1,970 LBS., TO\* THRUST OUT 1,950 LBS. AND TI\* THRUST IN 1,500 LBS.

THRUST\* UP OR DOWN 1,500 LBS.

\*OHL AND THRUST VALUES SHOWN ARE INDEPENDENT FUNCTIONS AND CANNOT BE APPLIED SIMULTANEOUSLY.

REFER APPLICATIONS WITH COMBINED OHL AND THRUST TO HUB CITY CUSTOMER SERVICE DEPARTMENT.

OUTPUT TORQUE VALUES SHOWN ARE INCH-POUNDS (IN-LB).



# Hub City Worm Gear Drives

## Single Reduction PowerCubeX® Catalog Ratings

### Series W420

SERIES	INPUT RPM	RATIO	OUTPUT RPM	CONVENTIONAL OIL				PAO SYNTHETIC OIL			PAG SYNTHETIC OIL			
				MECH. INPUT HP	EFF. %	MECH. OUTPUT TORQUE	THERMAL INPUT HP	THERMAL OUTPUT TORQUE	INPUT HP	EFF. %	OUTPUT TORQUE	INPUT HP	EFF. %	OUTPUT TORQUE
W420	2500	5	500	22.02	88.3	2452	12.21	1360	22.02	93.6	2599	22.02	96.5	2679
		7.5	333	17.22	87.6	2851	11.33	1876	17.22	92.8	3022	17.22	95.7	3116
		10	250	16.10	87.0	3529	10.90	2389	16.10	92.2	3741	16.10	95.0	3857
		15	167	12.65	85.1	4068	7.90	2540	12.65	90.2	4312	12.65	93.0	4446
		20	125	10.73	83.6	4522	6.55	2759	10.73	88.6	4793	10.73	91.3	4942
		25	100	9.08	82.2	4704	4.85	2514	9.08	87.1	4987	9.08	89.8	5141
		30	83.3	7.92	79.9	4786	4.42	2672	7.92	84.7	5073	7.92	87.3	5230
		40	62.5	6.31	77.2	4914	3.74	2913	6.31	81.8	5210	6.31	84.3	5371
		50	50.0	5.06	74.9	4771	2.34	2209	5.06	79.4	5057	5.06	81.8	5214
		60	41.7	4.11	72.7	4523	2.89	3183	4.11	77.0	4795	4.11	79.4	4943
	80	31.3	2.65	69.5	3723	2.27	3183	2.65	73.7	3947	2.65	76.0	4069	
	100	25.0	1.75	66.2	2923	1.51	2517	1.75	70.2	3099	1.75	72.3	3194	
	1750	5	350	19.01	87.8	3005	11.99	1895	19.01	93.1	3186	19.01	95.9	3285
		7.5	233	15.00	86.9	3495	11.11	2608	15.00	92.1	3705	15.00	95.0	3819
		10	175	13.94	86.2	4326	11.00	3332	13.94	91.4	4586	13.94	94.2	4728
		15	117	10.99	84.0	4987	7.65	3469	10.99	89.0	5286	10.99	91.8	5450
		20	87.5	9.36	82.2	5543	6.36	3765	9.36	87.2	5876	9.36	89.9	6058
		25	70.0	7.94	80.7	5767	4.74	3443	7.94	85.5	6113	7.94	88.2	6302
		30	58.3	6.96	78.0	5866	4.26	3588	6.96	82.7	6219	6.96	85.3	6411
		40	43.8	5.58	75.0	6024	3.61	3895	5.58	79.5	6387	5.58	82.0	6584
		50	35.0	4.49	72.4	5848	2.26	2937	4.49	76.8	6200	4.49	79.1	6391
		60	29.2	3.55	70.0	5371	2.78	4211	3.55	74.2	5694	3.55	76.5	5870
	80	21.9	2.35	66.5	4500	1.98	3792	2.35	70.5	4771	2.35	72.7	4918	
	100	17.5	1.56	62.9	3546	1.34	3050	1.56	66.7	3759	1.56	68.8	3875	
	1170	5	234	15.76	87.0	3694	10.07	2360	15.76	92.3	3917	15.76	95.1	4038
		7.5	156	12.42	86.0	4313	9.33	3240	12.42	91.1	4573	12.42	94.0	4714
		10	117	11.79	85.1	5405	9.02	4135	11.79	90.2	5730	11.79	93.0	5907
		15	78.0	9.34	82.5	6229	6.71	4475	9.34	87.5	6603	9.34	90.2	6808
		20	58.5	7.99	80.5	6929	5.74	4980	7.99	85.3	7346	7.99	88.0	7573
		25	46.8	6.79	78.7	7199	4.48	4747	6.79	83.4	7632	6.79	86.0	7868
		30	39.0	6.00	75.7	7332	4.02	4906	6.00	80.2	7773	6.00	82.7	8014
		40	29.3	5.00	72.2	7530	3.42	5322	5.00	76.6	7983	5.00	78.9	8229
		50	23.4	3.91	69.3	7298	2.34	4374	3.91	73.5	7736	3.91	75.8	7976
		60	19.5	3.21	66.6	6904	2.81	6032	3.21	70.7	7319	3.21	72.8	7546
	100	5	20.0	2.80	81.0	7146	THERMAL EQUALS MECHANICAL	2.80	85.8	7575	2.80	88.5	7810	
		7.5	13.3	2.20	78.7	8185		2.20	83.5	8677	2.20	86.1	8946	
		10	10.0	1.91	77.5	9344		1.91	82.1	9906	1.91	84.6	10212	
		15	6.7	1.58	72.4	10800		1.58	76.8	11449	1.58	79.1	11803	
		20	5.0	1.34	69.0	11608		1.34	73.1	12306	1.34	75.4	12687	
		25	4.0	1.12	66.1	11716		1.12	70.1	12420	1.12	72.3	12804	
		30	3.3	1.09	60.8	12545		1.09	64.4	13299	1.09	66.4	13710	
		40	2.5	0.89	56.0	12512		0.89	59.3	13264	0.89	61.2	13674	
50		2.0	0.72	52.3	11808	0.72		55.4	12518	0.72	57.1	12905		
60		1.7	0.59	49.0	10972	0.59		52.0	11632	0.59	53.6	11992		
80	1.3	2.00	45.3	8458	0.37	48.0	8967	0.37	49.5	9244				
100	1.0	0.25	41.2	6487	0.25	43.6	6877	0.25	45.0	7090				

Worm Gear Drives



ADDITIONAL RATINGS FOR OTHER INPUT SPEEDS ARE AVAILABLE AT [WWW.HUBCITYINC.COM](http://WWW.HUBCITYINC.COM)

\*\*OVERHUNG LOAD - LOW SPEED SHAFT — MODELS 421 AND 424 1,400 LBS. AT CENTER POINT OF SHAFT EXTENSION. MODELS 422 AND 425 NOT APPLICABLE. THRUST ‡ UP OR DOWN 1,450 LBS.

\*OHL AND THRUST VALUES SHOWN ARE INDEPENDENT FUNCTIONS AND CANNOT BE APPLIED SIMULTANEOUSLY. REFER APPLICATIONS WITH COMBINED OHL AND THRUST TO HUB CITY CUSTOMER SERVICE DEPARTMENT.

OUTPUT TORQUE VALUES SHOWN ARE INCH-POUNDS (IN-LB).

# Hub City Worm Gear Drives

## Single Reduction

### Century Series Catalog Ratings

#### Series 450

SER.	INPUT RPM	RATIO	OUTPUT RPM	CONVENTIONAL OIL					PAO SYNTHETIC OIL					PAG SYNTHETIC OIL				
				MECH. INPUT HP	EFF. %	MECH. OUTPUT TORQUE	THERM. INPUT HP	THERM. OUTPUT TORQUE	MECH. INPUT HP	EFF. %	OUTPUT TORQUE	THERM. INPUT HP	THERM. OUTPUT TORQUE	MECH. INPUT HP	EFF. %	OUTPUT TORQUE	THERM. INPUT HP	THERM. OUTPUT TORQUE
450	1750	10	175	18.4	87.1	5772	8.71	2732	18.4	90.4	5991	9.65	3142	18.4	93.7	6209	12.50	4207
		15	117	13.7	84.4	6226	6.01	2739	13.7	87.6	6462	6.66	3150	13.7	90.4	6669	8.93	4397
		20	87.5	11.1	82.8	6632	5.09	3034	11.1	85.9	6880	5.64	3489	11.1	89.5	7169	7.48	4822
		30	58.3	7.72	77.0	6429	3.20	2663	7.72	80.8	6746	3.51	3063	7.72	84.2	7030	4.97	4522
		40	43.8	6.19	74.4	6632	2.82	3018	6.19	78.0	6953	3.09	3470	6.19	81.3	7247	4.20	4919
		50	35.0	5.00	71.6	6356	1.77	2278	5.00	75.1	6667	1.94	2620	5.00	78.2	6942	3.60	5073
	1170	10	117	15.1	85.9	7100	7.32	3445	15.1	89.2	7373	8.11	3962	15.1	92.4	7637	10.30	5233
		15	78.0	11.3	82.7	7698	5.27	3583	11.3	85.8	7987	5.84	4121	11.3	89.4	8322	7.41	5445
		20	58.5	9.35	80.9	8295	4.60	4080	9.35	84.0	8613	5.10	4692	9.35	87.5	8972	6.28	6026
		30	39.0	6.52	74.4	7971	3.02	3696	6.52	78.0	8357	3.31	4251	6.52	81.3	8710	4.20	5614
		40	29.3	5.31	71.4	8307	2.67	4181	5.31	74.9	8714	2.93	4809	5.31	78.0	9075	3.57	6104
		50	23.4	4.27	68.3	7994	1.84	3444	4.27	71.6	8380	2.02	3961	4.27	74.6	8731	3.09	6321
	100	60	19.5	3.52	65.1	7530	2.18	4666	3.52	68.3	7900	2.39	5365	3.52	71.5	8270	2.76	6479
		10	10.0	2.94	76.8	14231	THERMAL EQUALS MECHANICAL	2.94	79.7	14768	THERMAL EQUALS MECHANICAL	2.94	82.6	15306	THERMAL EQUALS MECHANICAL			
		15	6.7	2.25	71.1	15132		2.25	73.8	15707		2.25	76.9	16366				
		20	5.0	1.55	68.2	13307		1.55	70.8	13814		1.55	73.7	14380				
		30	3.3	1.42	57.8	15843		1.42	60.7	16638		1.42	63.2	17323				
		40	2.5	1.00	53.9	13539		1.00	56.5	14192		1.00	58.9	14795				
	50	2.0	0.66	49.9	10324	0.66		52.3	10821	0.66		54.5	11276					
	60	1.7	0.47	46.1	8284	0.47	48.4	8697	0.47	50.7	9111							

#### Series 520

SER.	INPUT RPM	RATIO	OUTPUT RPM	CONVENTIONAL OIL					PAO SYNTHETIC OIL					PAG SYNTHETIC OIL				
				MECH. INPUT HP	EFF. %	MECH. OUTPUT TORQUE	THERM. INPUT HP	THERM. OUTPUT TORQUE	MECH. INPUT HP	EFF. %	OUTPUT TORQUE	THERM. INPUT HP	THERM. OUTPUT TORQUE	MECH. INPUT HP	EFF. %	OUTPUT TORQUE	THERM. INPUT HP	THERM. OUTPUT TORQUE
520	1750	10	175	25.9	87.7	8183	12.5	3941	25.9	91.0	8491	13.8	4532	25.9	94.3	8799	17.6	5987
		15	117	19.2	85.3	8861	8.80	4055	19.2	88.5	9193	9.75	4663	19.2	92.2	9578	12.9	6417
		20	87.5	15.0	83.9	9060	7.41	4476	15.0	87.1	9406	8.21	5147	15.0	90.7	9794	10.8	7059
		30	58.3	10.8	78.6	9174	4.73	4018	10.8	82.5	9629	5.19	4621	10.8	85.9	10026	7.13	6614
		40	43.8	8.26	76.3	9077	4.04	4446	8.26	80.1	9529	4.43	5113	8.26	83.4	9922	6.05	7273
		50	35.0	6.53	73.7	8669	3.47	4606	6.53	77.4	9104	3.80	5297	6.53	80.6	9481	5.18	7518
	1170	10	117	21.9	86.7	10401	11.0	5205	21.9	89.9	10785	12.1	5986	21.9	93.2	11181	14.8	7548
		15	78.0	16.3	83.8	11263	7.51	5176	16.3	87.0	11693	8.33	5953	16.3	90.6	12177	10.7	7962
		20	58.5	12.5	82.2	11269	6.50	5857	12.5	85.3	11694	7.20	6735	12.5	88.9	12188	9.05	8821
		30	39.0	9.00	76.2	11275	4.25	5329	9.00	80.0	11837	4.66	6128	9.00	83.3	12326	6.02	8241
		40	29.3	7.02	73.6	11316	3.79	6105	7.02	77.2	11870	4.15	7021	7.02	80.4	11316	5.13	9036
		50	23.4	5.62	70.6	10869	3.49	6753	5.62	74.1	11408	3.82	7766	5.62	77.2	11885	4.41	9323
	100	60	19.5	4.60	67.6	10233	3.05	6786	4.60	71.0	10748	3.34	7804	4.60	74.3	11247	3.91	9553
		10	10.0	4.22	78.2	20817	THERMAL EQUALS MECHANICAL	4.22	81.2	21616	THERMAL EQUALS MECHANICAL	4.22	84.1	22388	THERMAL EQUALS MECHANICAL			
		15	6.7	3.21	73.1	22146		3.21	75.8	22964		3.21	79.0	23933				
		20	5.0	2.21	70.4	19582		2.21	73.1	20333		2.21	76.1	21167				
		30	3.3	1.98	60.5	22669		1.98	63.5	23793		1.98	66.1	24767				
		40	2.5	1.40	56.8	20048		1.40	59.6	21036		1.40	62.1	21919				
	50	2.0	0.91	52.9	15184	0.91		55.5	15930	0.91		57.8	16590					
	60	1.7	0.65	49.3	12124	0.65	51.8	12739	0.65	54.2	13329							

ADDITIONAL RATINGS FOR OTHER INPUT SPEEDS ARE AVAILABLE AT WWW.HUBCITYINC.COM

\*OVERHUNG LOAD - LOW SPEED SHAFT — MODELS 451 AND 454 2,200 LBS. AT CENTER POINT OF SHAFT EXTENSION.

MODELS 452, 453, 455, AND 456 NOT APPLICABLE. MODELS 457 AND 458 — OHL± 2,370 LBS., TO± THRUST OUT 3,330 LBS. AND TI± THRUST IN 3,140 LBS.

MODELS 459V AND 450V 2,000 LBS. AT CENTER POINT OF SHAFT EXTENSION. THRUST± UP OR DOWN 2,500 LBS.

\*\*OVERHUNG LOAD - LOW SPEED SHAFT — MODELS 521 AND 524 2,600 LBS. AT CENTER POINT OF SHAFT EXTENSION.

MODELS 522, 523, 525, AND 526 NOT APPLICABLE. MODELS 527 AND 528 — OHL± 3,550 LBS., TO± THRUST OUT 4,530 LBS. AND TI± THRUST IN 3,360 LBS.

MODELS 529V AND 520V 2,300 LBS. AT CENTER POINT OF SHAFT EXTENSION. THRUST± UP OR DOWN 3,000 LBS.

±OHL AND THRUST VALUES SHOWN ARE INDEPENDENT FUNCTIONS AND CANNOT BE APPLIED SIMULTANEOUSLY. REFER APPLICATIONS WITH COMBINED OHL AND THRUST TO HUB CITY CUSTOMER SERVICE DEPARTMENT.

+ THERMAL RATINGS MAY BE INCREASED BY USING A THERMAL BLOCK KIT (PAGE B-94). CONSULT FACTORY FOR RATINGS.

OUTPUT TORQUE VALUES SHOWN ARE INCH-POUNDS (IN-LB).

# Hub City Worm Gear Drives

## Single Reduction GW Series Catalog Ratings

### Series GW60

SERIES	INPUT RPM	RATIO	OUTPUT RPM	MECH. INPUT HP	CONVENTIONAL OIL		PAO SYNTHETIC OIL		PAG SYNTHETIC OIL	
					EFF. %	MECH. OUTPUT TORQUE	EFF. %	MECH. OUTPUT TORQUE	EFF. %	MECH. OUTPUT TORQUE
GW60	1750	5	341.5	35.1	96.0	6068	96.9	6129	97.9	6189
		7.5	236.5	29.9	95.1	7704	96.5	7820	97.5	7897
		10	179.5	24.9	94.0	8467	96.4	8679	97.3	8763
		15	119.3	19.2	91.5	9515	93.8	9753	95.2	9896
		20	85.4	15.7	89.5	10127	91.7	10380	93.5	10583
		25	71.4	13.0	87.1	10245	89.3	10501	91.0	10706
		30	59.3	11.1	84.8	10249	86.9	10505	88.6	10710
		40	43.8	8.72	81.2	10203	83.2	10458	84.8	10662
		50	35	7.24	77.2	10079	79.2	10331	80.7	10533
		60	29.2	6.15	73.7	9808	75.6	10053	77.1	10249
	80	21.9	3.70	68.1	7264	69.8	7446	71.1	7591	
	100	17.5	2.57	63.5	5886	65.1	6033	66.4	6151	
	1170	5	228.3	29.9	95.8	7726	96.7	7803	97.7	7881
		7.5	158.1	25.4	94.8	9740	96.3	9886	97.2	9984
		10	120	21.1	93.7	10687	96.0	10954	97.0	11061
		15	79.8	16.3	91.1	11996	93.3	12296	94.7	12476
		20	57.1	13.3	88.8	12758	91.1	13077	92.8	13332
		25	47.8	11.0	86.3	12903	88.5	13226	90.2	13484
		30	39.7	9.50	84.0	12911	86.1	13234	87.8	13492
		40	29.3	7.43	80.2	12848	82.2	13169	83.8	13426
		50	23.4	6.18	76.1	12691	78.0	13008	79.5	13262
		60	19.5	5.26	72.5	12352	74.3	12661	75.8	12908
	80	14.6	3.31	64.0	9142	65.6	9371	66.8	9553	
	100	11.7	2.32	59.2	7408	60.7	7593	61.9	7741	
	100	5	19.5	6.20	89.9	17587	90.8	17763	91.7	17939
		7.5	13.5	5.01	87.1	20662	88.4	20972	89.2	21179
		10	10.3	4.19	84.3	22324	86.4	22882	87.3	23105
		15	6.8	3.33	78.6	24797	80.5	25417	81.7	25789
		20	4.9	2.80	74.0	26194	75.9	26849	77.4	27373
		25	4.1	2.41	69.4	26436	71.1	27097	72.5	27626
		30	3.4	2.14	65.3	26480	66.9	27142	68.2	27672
		40	2.5	1.76	59.1	26260	60.6	26917	61.8	27442
		50	2	1.54	53.3	25925	54.6	26573	55.7	27092
		60	1.7	1.37	48.6	25283	49.8	25915	50.8	26421
	80	1.3	0.95	40.2	19249	41.2	19730	42.0	20115	
	100	1	0.68	35.5	15389	36.4	15774	37.1	16082	

NOTE: ALL TORQUE VALUES LISTED IN INCH-POUNDS, ALL OVERHUNG LOAD VALUES LISTED IN POUNDS. THE POINT OF APPLICATION OF THE OVERHUNG LOAD IS CONSIDERED TO BE ONE SHAFT DIAMETER MEASURED OUTWARD FROM THE GEAR CASE HOUSING. AT SPEEDS ABOVE 1750 RPM, UNITS MAY BECOME THERMALLY LIMITED. FOR EXTENDED OPERATION, LIMIT INPUT HP TO 1750 RPM CATALOG RATING.

Thrust and Overhung Load Ratings (Lbs.)	GW60
Thrust Load Ratings (Low Speed Shaft, All Ratios)	3990
Overhung Load Capacity* (High Speed Shaft, All Ratios)	450
Overhung Load Capacity* (Low Speed Shaft, All Ratios)	3723
Overhung Load Capacity** (Extended Brg Design Output Shaft, All Ratios)	2245

\* OHL AND THRUST VALUES SHOWN ARE INDEPENDENT FUNCTIONS AND CANNOT BE APPLIED SIMULTANEOUSLY. REFER APPLICATIONS WITH COMBINED OHL AND THRUST TO HUB CITY CUSTOMER SERVICE DEPARTMENT.

\* THE POINT OF APPLICATION OF THE OVERHUNG LOAD IS CONSIDERED TO BE ONE SHAFT DIAMETER MEASURED OUTWARD FROM THE GEARCASE HOUSING.

\*\* LOAD LOCATED AT END OF OUTPUT SHAFT.

ADDITIONAL RATINGS FOR OTHER INPUT SPEEDS ARE AVAILABLE AT [WWW.HUBCITYINC.COM](http://WWW.HUBCITYINC.COM)

OUTPUT TORQUE VALUES SHOWN ARE INCH-POUNDS (IN-LB).

# Hub City Worm Gear Drives

## Single Reduction

## GW Series Catalog Ratings

### Series GW70 & GW80

SERIES	INPUT RPM	RATIO	OUTPUT RPM	MECH. INPUT HP	CONVENTIONAL OIL		PAO SYNTHETIC OIL		PAG SYNTHETIC OIL		
					EFF. %	MECH. OUTPUT TORQUE	EFF. %	MECH. OUTPUT TORQUE	EFF. %	MECH. OUTPUT TORQUE	
GW70	1750	5	341.5	51.2	96.0	9062	96.9	9153	97.9	9243	
		7.5	236.5	41.5	95.5	10572	97.0	10731	97.9	10836	
		10	179.5	35.7	94.8	11893	97.2	12190	98.1	12309	
		15	119.3	26.0	93.5	12827	95.9	13148	97.3	13340	
		20	85.4	19.9	91.4	13431	93.7	13767	95.5	14035	
		25	71.4	16.9	90.3	13462	92.5	13799	94.3	14068	
		30	59.3	14.1	89.1	13356	91.3	13690	93.1	13957	
		40	43.8	10.9	85.5	13399	87.7	13734	89.4	14002	
		50	35.0	8.74	82.7	13011	84.8	13336	86.4	13596	
	60	29.2	7.00	80.8	12220	82.8	12526	84.4	12770		
	70	25.0	5.74	78.1	11300	80.1	11583	81.6	11809		
	1170	5	228.3	43.4	95.3	11404	96.3	11518	97.2	11632	
		7.5	158.1	35.2	94.7	13304	96.1	13504	97.1	13637	
		10	120.0	30.4	93.9	14967	96.2	15341	97.2	15491	
		15	79.8	22.1	92.3	16143	94.7	16547	96.0	16789	
		20	57.1	17.0	89.8	16903	92.1	17326	93.9	17664	
		25	47.8	14.1	88.5	16417	90.7	16827	92.5	17156	
		30	39.7	11.9	87.2	16491	89.4	16903	91.1	17233	
		40	29.3	9.18	83.0	16416	85.1	16826	86.8	17155	
		50	23.4	7.43	79.9	15966	81.9	16365	83.4	16684	
	100	60	19.5	6.03	77.7	15143	79.6	15522	81.2	15824	
		70	16.7	4.96	74.7	13979	76.6	14328	78.1	14608	
		5	19.5	9.25	88.4	26416	89.3	26680	90.2	26944	
		7.5	13.5	6.97	87.4	28388	88.7	28814	89.6	29098	
		10	10.3	6.15	85.4	32282	87.6	33089	88.4	33412	
		15	6.8	4.16	82.7	31744	84.7	32538	86.0	33014	
		20	4.9	3.35	77.6	33520	79.5	34358	81.1	35028	
		25	4.1	2.82	75.3	32790	77.2	33610	78.7	34266	
		30	3.4	2.30	73.2	31233	75.1	32014	76.5	32638	
	GW80	1750	5	341.5	66.9	96.2	11866	97.1	11985	98.1	12103
			7.5	236.5	54.4	95.7	13867	97.2	14075	98.1	14214
			10	179.5	43.3	95.0	14447	97.4	14808	98.3	14953
			15	119.3	33.8	93.9	16766	96.2	17185	97.6	17437
			20	85.4	25.9	91.8	17575	94.1	18014	96.0	18366
			25	71.4	21.9	90.9	17578	93.1	18017	94.9	18369
30			59.3	17.9	90.2	17166	92.4	17595	94.2	17938	
40			43.8	14.1	86.4	17507	88.5	17945	90.2	18295	
50			35.0	11.3	83.6	17028	85.7	17454	87.4	17794	
60		29.2	9.05	81.8	15982	83.8	16382	85.5	16701		
70		25.0	7.37	79.4	14743	81.4	15112	82.9	15406		
1170		5	228.3	56.6	95.6	14932	96.5	15081	97.5	15231	
		7.5	158.1	46.1	95.0	17451	96.4	17713	97.4	17887	
		10	120.0	36.8	94.2	18181	96.5	18636	97.5	18817	
		15	79.8	28.8	92.8	21099	95.1	21626	96.5	21943	
		20	57.1	22.2	90.4	22118	92.7	22671	94.5	23113	
		25	47.8	18.8	89.2	22122	91.5	22675	93.3	23117	
		30	39.7	15.0	88.4	21058	90.6	21584	92.4	22006	
		40	29.3	12.2	84.1	22032	86.2	22583	87.8	23023	
		50	23.4	9.84	80.9	21429	82.9	21965	84.5	22393	
60		19.5	7.63	78.8	19430	80.8	19916	82.4	20304		
70		16.7	6.24	76.2	17921	78.1	18369	79.6	18727		

NOTE: ALL TORQUE VALUES LISTED IN INCH-POUNDS, ALL OVERHUNG LOAD VALUES LISTED IN POUNDS. THE POINT OF APPLICATION OF THE OVERHUNG LOAD IS CONSIDERED TO BE ONE SHAFT DIAMETER MEASURED OUTWARD FROM THE GEAR CASE HOUSING. AT SPEEDS ABOVE 1750 RPM, UNITS MAY BECOME THERMALLY LIMITED. FOR EXTENDED OPERATION, LIMIT INPUT HP TO 1750 RPM CATALOG RATING.

ADDITIONAL RATINGS FOR OTHER INPUT SPEEDS ARE AVAILABLE AT: [WWW.HUBCITYINC.COM](http://WWW.HUBCITYINC.COM)

OUTPUT TORQUE VALUES SHOWN ARE INCH-POUNDS (IN-LB).

# Hub City Worm Gear Drives

## Single Reduction GW Series Catalog Ratings

### Series GW80 & GW100

SERIES	INPUT RPM	RATIO	OUTPUT RPM	MECH. INPUT HP	CONVENTIONAL OIL		PAO SYNTHETIC OIL		PAG SYNTHETIC OIL		
					EFF. %	MECH. OUTPUT TORQUE	EFF. %	MECH. OUTPUT TORQUE	EFF. %	MECH. OUTPUT TORQUE	
GW80 (cont'd)	100	5	19.5	13.9	89.1	36447	90.0	36811	90.9	37176	
		7.5	13.5	9.72	87.8	39793	89.1	40390	90.0	40788	
		10	10.3	7.96	85.8	41958	88.0	43007	88.8	43427	
		15	6.8	6.82	84.3	44195	86.4	45300	87.6	45963	
		20	4.9	4.63	78.3	46792	80.2	47962	81.8	48898	
		25	4.1	3.86	76.2	45421	78.1	46557	79.6	47465	
		30	3.4	2.94	75.3	41088	77.2	42115	78.7	42937	
		40	2.5	2.64	67.1	44687	68.7	45804	70.1	46698	
		50	2.0	2.22	62.1	43469	63.6	44556	64.8	45425	
	60	1.7	1.75	59.4	39244	60.9	40225	62.1	41010		
	70	1.4	1.48	55.6	36215	57.0	37120	58.1	37845		
GW100	1750	5	341.5	104.7	96.4	18619	97.4	18805	98.4	18991	
		7.5	236.5	84.4	96.1	21413	97.5	21734	98.5	21948	
		10	179.5	67.1	95.4	22466	97.7	23028	98.7	23252	
		15	119.3	52.8	94.4	26308	96.7	26966	98.2	27360	
		20	85.4	40.4	92.5	27597	94.8	28287	96.6	28839	
		25	71.4	34.2	91.6	27618	93.9	28308	95.7	28861	
		30	59.3	28.5	90.5	27433	92.8	28119	94.6	28667	
		40	43.8	21.8	87.4	27471	89.6	28158	91.4	28707	
		50	35.0	17.5	84.9	26703	87.0	27371	88.7	27905	
		60	29.2	14.0	83.1	25107	85.2	25735	86.9	26237	
		70	25.0	11.4	80.7	23235	82.7	23816	84.3	24281	
			5	228.3	88.5	95.9	23431	96.9	23665	97.9	23900
		7.5	158.1	71.5	95.5	26947	96.9	27351	97.9	27621	
		10	120.0	56.9	94.7	28273	97.0	28980	98.0	29263	
		15	79.8	44.9	93.4	33107	95.8	33935	97.2	34431	
		20	57.1	34.5	91.2	34730	93.5	35598	95.4	36293	
		25	47.8	29.2	90.2	34756	92.4	35625	94.2	36320	
		30	39.7	24.4	88.9	34523	91.2	35386	92.9	36077	
		40	29.3	18.8	85.4	34571	87.5	35435	89.2	36127	
		50	23.4	15.1	82.5	33605	84.6	34445	86.2	35117	
		60	19.5	12.2	80.5	31597	82.5	32387	84.1	33019	
		70	16.7	9.98	77.7	29240	79.7	29971	81.2	30556	
		100	5	19.5	22.1	89.5	63935	90.4	64574	91.3	65214
			7.5	13.5	16.5	88.6	67727	89.9	68743	90.8	69420
			10	10.3	13.7	86.5	72712	88.7	74530	89.6	75257
			15	6.8	9.95	84.1	77295	86.2	79227	87.4	80387
			20	4.9	8.01	79.3	82011	81.2	84061	82.8	85701
			25	4.1	6.70	77.2	79871	79.1	81868	80.7	83465
			30	3.4	5.49	75.1	76598	77.0	78513	78.5	80045
			40	2.5	4.54	68.4	78246	70.1	80202	71.5	81767
			50	2.0	3.79	63.6	75935	65.2	77833	66.4	79352
		60	1.7	3.01	60.7	69119	62.2	70847	63.4	72229	
		70	1.4	2.59	56.5	64584	58.0	66199	59.1	67490	

NOTE: ALL TORQUE VALUES LISTED IN INCH-POUNDS, ALL OVERHUNG LOAD VALUES LISTED IN POUNDS. THE POINT OF APPLICATION OF THE OVERHUNG LOAD IS CONSIDERED TO BE ONE SHAFT DIAMETER MEASURED OUTWARD FROM THE GEAR CASE HOUSING. AT SPEEDS ABOVE 1750 RPM, UNITS MAY BECOME THERMALLY LIMITED. FOR EXTENDED OPERATION, LIMIT INPUT HP TO 1750 RPM CATALOG RATING.

THRUST AND OVERHUNG LOAD RATINGS (LBS.)	GW70	GW80	GW100
Thrust Load Ratings (Low Speed Shaft, All Ratios)	4009	4777	6808
Overhung Load Capacity* (High Speed Shaft, All Ratios)	450	450	50
Overhung Load Capacity* (Low Speed Shaft, All Ratios)	6209	7761	11028
Overhung Load Capacity** (Extended Brg Design Output Shaft, All Ratios)	3791	4850	8500

ADDITIONAL RATINGS FOR OTHER INPUT SPEEDS ARE AVAILABLE AT: [WWW.HUBCITYINC.COM](http://WWW.HUBCITYINC.COM)

\*OHL AND THRUST VALUES SHOWN ARE INDEPENDENT FUNCTIONS AND CANNOT BE APPLIED SIMULTANEOUSLY. REFER APPLICATIONS WITH COMBINED OHL AND THRUST TO HUB CITY CUSTOMER SERVICE DEPARTMENT.

\*\*THE POINT OF APPLICATION OF THE OVERHUNG LOAD IS CONSIDERED TO BE ONE SHAFT DIAMETER MEASURED OUTWARD FROM THE GEARCASE HOUSING.

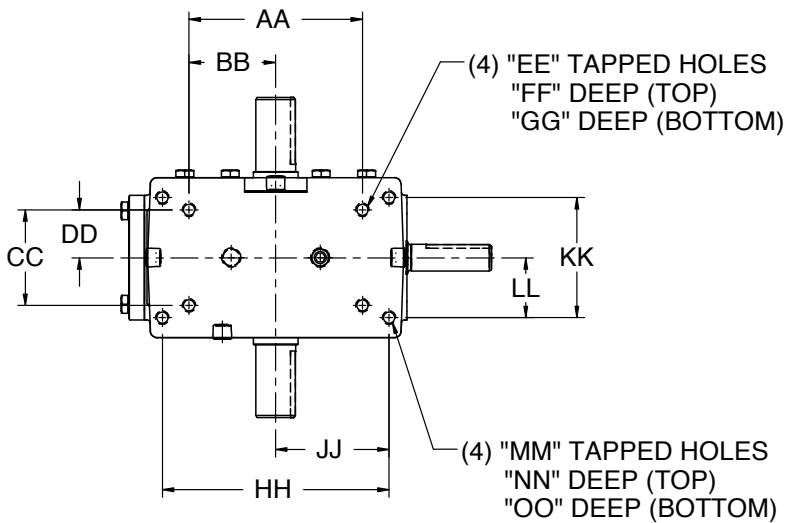
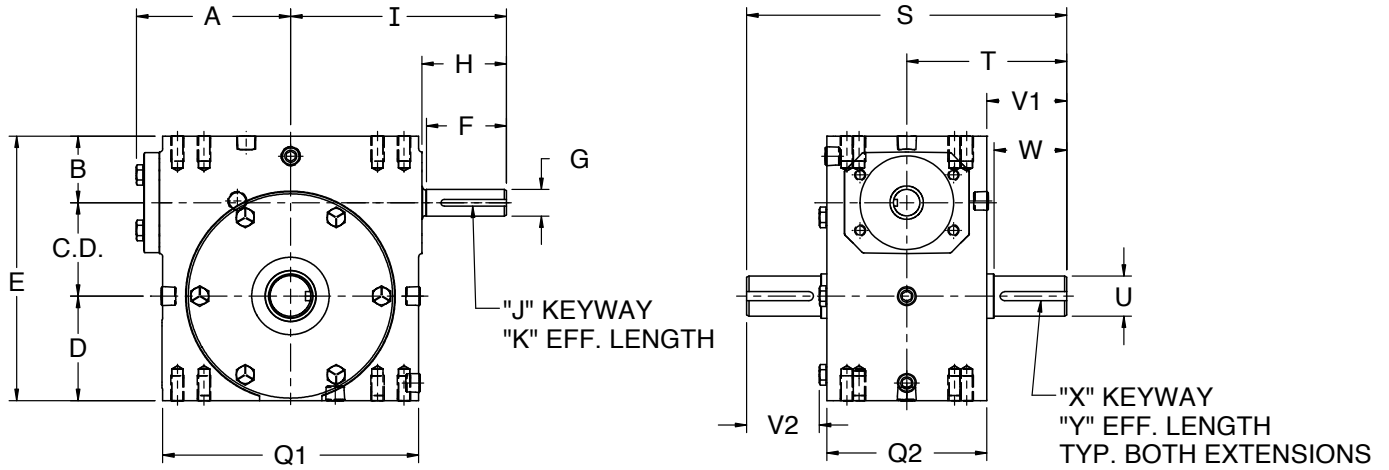
\*\*LOAD LOCATED AT END OF OUTPUT SHAFT.

OUTPUT TORQUE VALUES SHOWN ARE INCH-POUNDS (IN-LB).

# Hub City Worm Gear Drives

## Single Reduction Models

131, 151, 181, 211, 241, 261, 301, 321, 381, 421, 451, 521, GW601, GW701, GW801, GW1001

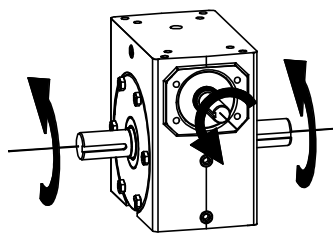


REFER TO FAN DETAILS ON NEXT PAGE FOR GW MODELS.

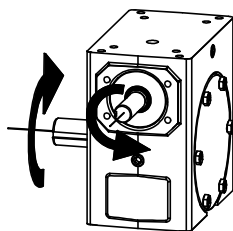
FOR LUBRICATION AND INSTALLATION INSTRUCTIONS - REFER TO SECTION 5

DIMENSIONS SHOWN ARE FOR REFERENCE ONLY. DOWNLOAD AVAILABLE CAD MODELS AT: [WWW.HUBCITYINC.COM](http://WWW.HUBCITYINC.COM)

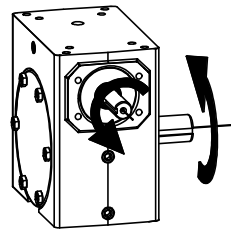
### Standard Styles Available



STYLE "A"



STYLE "B"



STYLE "C"

CONSULT FACTORY FOR VERTICAL SHAFT LUBRICATION RECOMMENDATIONS.

INPUT SHAFT CAN BE ROTATED IN EITHER DIRECTION.

# Hub City Worm Gear Drives

## Single Reduction Models

131, 151, 181, 211, 241, 261, 301, 321, 381, 421, 451, 521, GW601, GW701, GW801, GW1001

MODEL	C.D.	A	B	D	E	Q1	Q2	F	G	H	I	J	K
131	1.334	2.61	1.186	1.562	4.082	4.12	3.12	1.67	.500/.4985	1.76	3.82	1/8 X 1/16 P&W	1.44
151	1.541	3.14	1.928	1.906	5.375	4.88	3.44	1.76	.625/.6235	1.76	4.35	3/16 X 3/32 P&W	1.50
181	1.751	3.23	1.374	1.875	5.000	5.16	3.44	N/A	.625/.6235	1.76	4.44	3/16 X 3/32 P&W	1.50
211	2.064	3.61	1.500	2.437	6.000	5.88	4.12	N/A	.625/.6235	1.76	4.82	3/16 X 3/32 P&W	1.50
241	2.376	3.77	2.061	2.500	6.937	6.12	4.06	2.38	.750/.7485	2.38	5.51	3/16 X 3/32 P&W	1.75
261	2.626	4.33	1.874	2.938	7.438	7.20	4.50	2.36	.750/.7485	2.38	6.07	3/16 X 3/32 P&W	1.75
301	3.001	4.84	2.624	3.250	8.875	8.12	5.25	2.38	.875/.8735	2.38	6.57	3/16 X 3/32 P&W	1.75
321	3.251	5.28	2.124	3.250	8.625	8.62	5.20	N/A	.875/.8735	2.38	6.75	3/16 X 3/32 P&W	1.75
381	3.751	4.90	2.374	3.937	10.062	9.60	5.62	2.20	1.000/.999	2.48	7.38	1/4 X 1/8 P&W	1.91
421	4.251	6.10	2.686	4.438	11.375	10.25	6.13	3.47	1.250/1.2485	3.47	9.57	1/4 X 1/8 P&W	2.87
451	4.501	5.23	2.499	4.625	11.625	9.25	4.63	2.98	1.125/1.124	3.21	8.44	1/4 X 1/8	2.50
521	5.168	5.98	2.624	5.375	13.167	10.75	5.06	N/A	1.250/1.249	3.27	9.25	1/4 X 1/8	2.63
GW601	6.000	N/A	4.000	6.500	16.500	14.25	8.13	N/A	1.500	3.41	11.78	3/8 X 3/16	3.00
GW701	7.000	N/A	4.320	7.590	18.910	14.88	7.63	N/A	1.625	2.98	11.50	3/8 X 3/16 P&W	2.87
GW801	8.000	N/A	4.100	8.860	20.960	17.00	8.63	N/A	1.875	2.84	12.50	1/2 X 1/4 P&W	2.81
GW1001	10.000	N/A	5.110	10.360	25.470	20.88	9.53	N/A	2.250	3.76	15.50	1/2 X 1/4 P&W	3.69

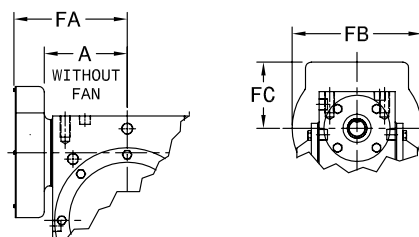
MODEL	AA	BB	CC	DD	EE	FF	GG	HH	JJ	KK	LL	MM	NN	OO	Wt. Lbs.
131	2.250	1.125	1.625	0.813	1/4 UNC	0.50	0.50	3.250	1.625	2.000	1.000	5/16 UNC	0.50	0.50	10
151	4.188	2.094	2.750	1.375	5/16 UNC	0.63	0.63	N/A	N/A	N/A	N/A	N/A	N/A	N/A	15
181	3.125	1.563	1.625	0.813	1/4 UNC	0.50	0.50	4.188	2.094	2.750	1.375	5/16 UNC	0.63	0.63	15
211	4.000	2.000	2.000	1.000	3/8 UNC	0.50	0.70	5.000	2.500	2.875	1.438	3/8 UNC	0.70	0.70	23
241	5.000	2.500	2.875	1.438	3/8 UNC	0.69	0.69	N/A	N/A	N/A	N/A	N/A	N/A	N/A	37
261	4.875	2.438	2.688	1.344	3/8 UNC	0.70	0.70	6.375	3.188	3.375	1.688	3/8 UNC	0.70	0.70	37
301	7.000	3.500	4.000	2.000	7/16 UNC	0.88	0.88	N/A	N/A	N/A	N/A	N/A	N/A	N/A	57
321	6.250	3.125	2.750	1.375	1/2 UNC	0.75	0.75	7.500	3.750	4.000	2.000	7/16 UNC	0.88	0.88	60
381	6.875	3.438	3.000	1.500	1/2 UNC	0.94	1.00	8.500	4.250	4.750	2.375	1/2 UNC	1.00	1.00	85
421	8.500	4.250	5.000	2.500	5/8 UNC	1.00	1.00	N/A	N/A	N/A	N/A	N/A	N/A	N/A	102
451	8.125	4.063	3.250	1.625	5/8 UNC	0.88	1.13	N/A	N/A	N/A	N/A	N/A	N/A	N/A	102
521	9.500	4.750	3.750	1.875	5/8 UNC	1.00	1.25	N/A	N/A	N/A	N/A	N/A	N/A	N/A	128
GW601	12.750	6.375	6.380	3.190	5/8 UNC	1.00	1.00	N/A	N/A	N/A	N/A	N/A	N/A	N/A	288
GW701	12.500	6.250	5.500	2.750	1 UNC	1.56	1.56	N/A	N/A	N/A	N/A	N/A	N/A	N/A	399
GW801	14.250	7.125	6.500	3.250	1 UNC	1.66	1.66	N/A	N/A	N/A	N/A	N/A	N/A	N/A	582
GW1001	17.750	8.875	6.875	3.438	1-1/4 UNC	2.04	2.04	N/A	N/A	N/A	N/A	N/A	N/A	N/A	905

MODEL	S	T	U	V1	V2	W	X	Y
131	6.50	3.25	.625/.624	1.69	1.53	1.60	3/16 X 3/32	1.38
151	8.62	4.31	.750/.7485	2.11	1.90	2.08	3/16 X 3/32	1.51
181	7.00	3.50	.750/.749	1.78	1.57	1.54	3/16 X 3/32	1.41
211	8.50	4.25	.875/.874	2.19	1.98	1.95	3/16 X 3/32	1.83
241	10.28	5.14	1.125/1.1235	2.66	2.44	2.62	1/4 x 1/8	1.76
261	9.00	4.50	1.250/1.249	2.25	2.04	N/A	1/4 x 1/8	1.85
301	13.50	6.75	1.250/1.2485	3.60	3.36	3.57	1/4 X 1/8	2.26
321	10.88	5.44	1.375/1.374	2.84	2.62	2.75	5/16 X 5/32	2.31
381	13.38	6.69	1.500/1.499	3.88	N/A	N/A	3/8 X 3/16	3.16
421	16.24	8.12	1.875/1.8735	4.50	4.21	4.47	1/2 X 1/4	3.06
451 **	14.50	7.25	1.625/1.624	4.18	N/A	3.90	3/8 X 3/16	3.28
521 ***	15.62	7.81	1.750/1.749	4.47	N/A	4.17	3/8 X 3/16	3.50
GW601	20.00	10.00	2.500	4.65	4.65	N/A	5/8 X 5/16 P&W	4.00
GW701	23.52	11.76	2.750	5.65	5.65	N/A	5/8 X 5/16 P&W	4.00
GW801	24.50	12.25	3.000	5.98	5.98	5.26	3/4 X 3/8 P&W	4.50
GW1001	29.50	14.75	3.750	6.76	6.76	6.39	7/8 X 7/16 P&W	5.00

\*\* ALSO AVAILABLE WITH 1.750/1.749 (U) DIAMETER OUTPUT SHAFT. CONSULT FACTORY.  
 \*\*\* ALSO AVAILABLE WITH 2.000/1.999 (U) DIAMETER OUTPUT SHAFT. CONSULT FACTORY.

### Fan Detail for Models GW601 Through GW1001

MODEL	A	FA	FB	FC
GW601	N/A	11.13	9.50	4.00
GW701	N/A	11.37	9.65	4.83
GW801	N/A	12.52	9.65	4.83
GW1001	N/A	14.69	11.28	5.62

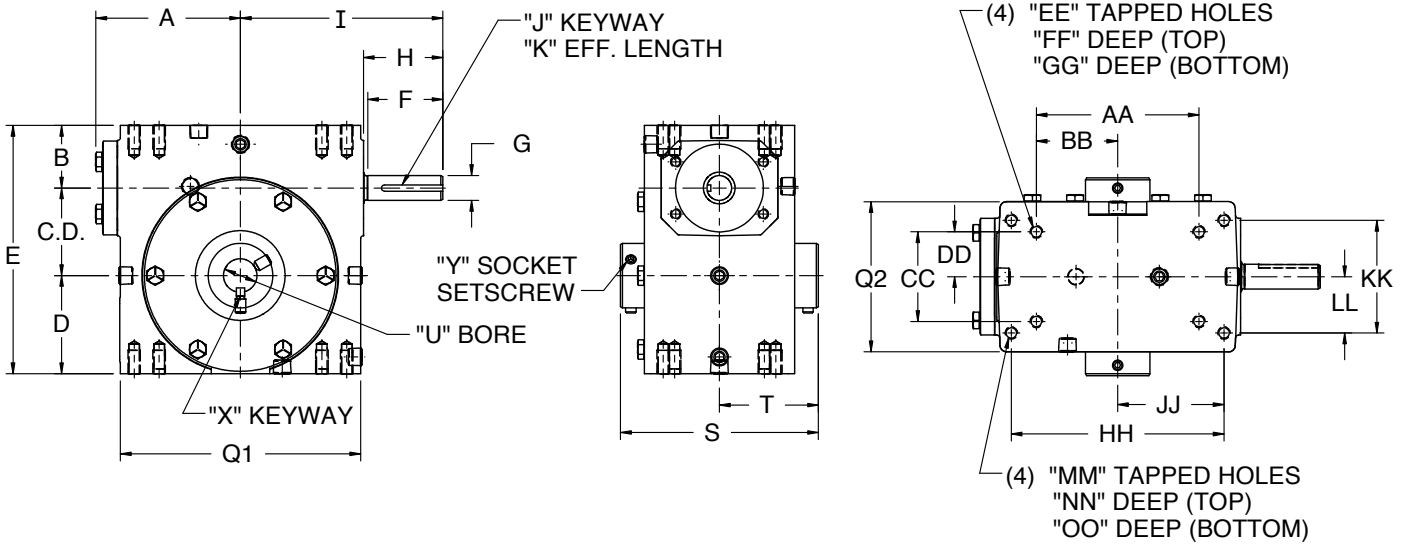


ALL GW MODELS ARE FAN COOLED.

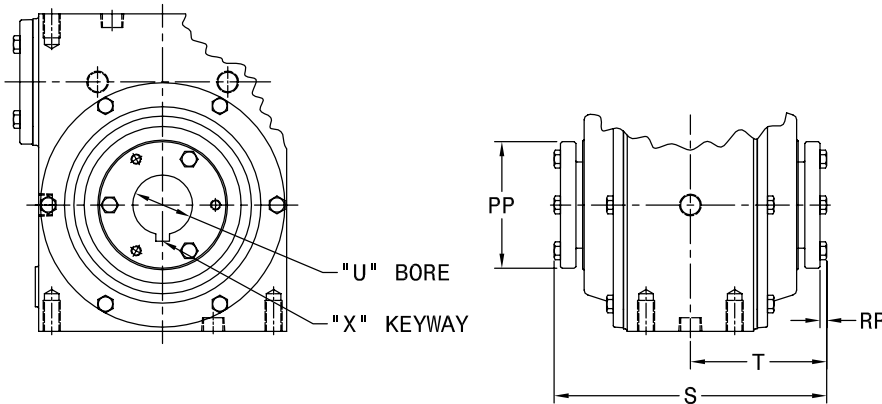
# Hub City Worm Gear Drives

## Single Reduction Models

132, 152, 182, 212, 242, 262, 302, 322, 382, 422, 452, 522, GW602, GW702, GW802, GW1002



### QD Bushing Detail for Models 452, 522



THESE UNITS CAN BE FURNISHED WITH SOLID OUTPUT SHAFT ON SPECIAL ORDERS.

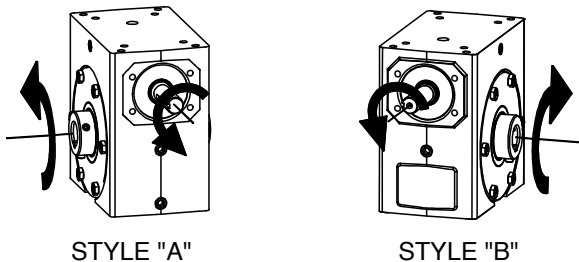
SHAFT MOUNTED UNITS REQUIRE TORQUE ARMS. TORQUE ARM KITS ARE AVAILABLE. SEE PAGE B-105.

REFER TO FAN DETAIL ON NEXT PAGE FOR GW MODELS.

FOR LUBRICATION AND INSTALLATION INSTRUCTIONS - REFER TO SECTION S

DIMENSIONS SHOWN ARE FOR REFERENCE ONLY.  
 DOWNLOAD AVAILABLE CAD MODELS AT: [WWW.HUBCITYINC.COM](http://WWW.HUBCITYINC.COM)

### Standard Styles Available



CONSULT FACTORY FOR VERTICAL SHAFT LUBRICATION RECOMMENDATIONS.

INPUT SHAFT CAN BE ROTATED IN EITHER DIRECTION.

NOTE: STYLE "A" SUPPLIED AS STANDARD UNLESS SPECIFIED OTHERWISE.



# Hub City Worm Gear Drives

## Single Reduction Models

132, 152, 182, 212, 242, 262, 302, 322, 382, 422, 452, 522, GW602, GW702, GW802, GW1002

MODEL	C.D.	A	B	D	E	Q1	Q2	F	G	H	I	J	K
132	1.334	2.61	1.186	1.562	4.082	4.12	3.12	1.67	.500/.4985	1.76	3.82	1/8 X 1/16 P&W	1.44
152	1.541	3.14	1.928	1.906	5.375	4.88	3.44	1.76	.625/.6235	1.76	4.35	3/16 X 3/32 P&W	1.50
182	1.751	3.23	1.374	1.875	5.000	5.16	3.44	N/A	.625/.6235	1.76	4.44	3/16 X 3/32 P&W	1.50
212	2.064	3.61	1.500	2.437	6.000	5.88	4.12	N/A	.625/.6235	1.76	4.82	3/16 X 3/32 P&W	1.50
242	2.376	3.77	2.061	2.500	6.937	6.12	4.06	2.38	.750/.7485	2.38	5.51	3/16 X 3/32 P&W	1.75
262	2.626	4.33	1.874	2.938	7.438	7.20	4.50	2.36	.750/.7485	2.38	6.07	3/16 X 3/32 P&W	1.75
302	3.001	4.84	2.624	3.250	8.875	8.12	5.25	2.38	.875/.8735	2.38	6.57	3/16 X 3/32 P&W	1.75
322	3.251	5.28	2.124	3.250	8.625	8.62	5.20	N/A	.875/.8735	2.38	6.75	3/16 X 3/32 P&W	1.75
382	3.751	4.90	2.374	3.937	10.062	9.60	5.62	2.20	1.000/.999	2.48	7.38	1/4 X 1/8 P&W	1.91
422	4.251	6.10	2.686	4.438	11.375	10.25	6.13	3.47	1.250/1.2485	3.47	9.57	1/4 X 1/8 P&W	2.87
452	4.501	5.23	2.499	4.625	11.625	9.25	4.63	2.98	1.125/1.124	3.21	8.44	1/4 X 1/8	2.50
522	5.168	5.98	2.624	5.375	13.167	10.75	5.06	N/A	1.250/1.249	3.27	9.25	1/4 X 1/8	2.63
GW602	6.000	N/A	4.000	6.500	16.500	14.25	8.13	N/A	1.500	3.41	11.78	3/8 X 3/16	3.00
GW702	7.000	N/A	4.320	7.590	18.910	14.88	7.63	N/A	1.625	2.98	11.50	3/8 X 3/16 P&W	2.87
GW802	8.000	N/A	4.100	8.860	20.960	17.00	8.63	N/A	1.875	2.84	12.50	1/2 X 1/4 P&W	2.81
GW1002	10.000	N/A	5.110	10.360	25.470	20.88	9.53	N/A	2.250	3.76	15.50	1/2 X 1/4 P&W	3.69

MODEL	AA	BB	CC	DD	EE	FF	GG	HH	JJ	KK	LL	MM	NN	OO	Wt. Lbs.
132	2.250	1.125	1.625	0.813	1/4 UNC	0.50	0.50	3.250	1.625	2.000	1.000	5/16 UNC	0.50	0.50	15
152	4.188	2.094	2.750	1.375	5/16 UNC	0.63	0.63	N/A	N/A	N/A	N/A	N/A	N/A	N/A	15
182	3.125	1.563	1.625	0.813	1/4 UNC	0.50	0.50	4.188	2.094	2.750	1.375	5/16 UNC	0.63	0.63	15
212	4.000	2.000	2.000	1.000	3/8 UNC	0.50	0.70	5.000	2.500	2.875	1.438	3/8 UNC	0.70	0.70	24
242	5.000	2.500	2.875	1.438	3/8 UNC	0.69	0.69	N/A	N/A	N/A	N/A	N/A	N/A	N/A	37
262	4.875	2.438	2.688	1.344	3/8 UNC	0.70	0.70	6.375	3.188	3.375	1.688	3/8 UNC	0.70	0.70	37
302	7.000	3.500	4.000	2.000	7/16 UNC	0.88	0.88	N/A	N/A	N/A	N/A	N/A	N/A	N/A	57
322	6.250	3.125	2.750	1.375	1/2 UNC	0.75	0.75	7.500	3.750	4.000	2.000	7/16 UNC	0.88	0.88	66
382	6.875	3.438	3.000	1.500	1/2 UNC	0.94	1.00	8.500	4.250	4.750	2.375	1/2 UNC	1.00	1.00	85
422	8.500	4.250	5.000	2.500	5/8 UNC	1.00	1.00	N/A	N/A	N/A	N/A	N/A	N/A	N/A	107
452	8.125	4.063	3.250	1.625	5/8 UNC	0.88	1.13	N/A	N/A	N/A	N/A	N/A	N/A	N/A	107
522	9.500	4.750	3.750	1.875	5/8 UNC	1.00	1.25	N/A	N/A	N/A	N/A	N/A	N/A	N/A	135
GW602	12.750	6.375	6.380	3.190	5/8 UNC	1.00	1.00	N/A	N/A	N/A	N/A	N/A	N/A	N/A	294
GW702	12.500	6.250	5.500	2.750	1 UNC	1.56	1.56	N/A	N/A	N/A	N/A	N/A	N/A	N/A	399
GW802	14.250	7.125	6.500	3.250	1 UNC	1.66	1.66	N/A	N/A	N/A	N/A	N/A	N/A	N/A	582
GW1002	17.750	8.875	6.875	3.438	1-1/4 UNC	2.04	2.04	N/A	N/A	N/A	N/A	N/A	N/A	N/A	905

Worm Gear Drives

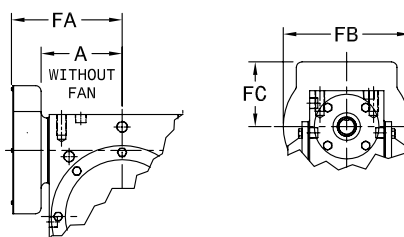


### Stock Output Bores

MINIMUM AND MAXIMUM BORE DIMENSIONS SHOWN. FOR ADDITIONAL STOCK OUTPUT BORE SIZES AND STOCK QD BUSHING KITS AVAILABLE SEE PAGE B-96.

MODEL	U (MIN.)	U (MAX.)	S	T
132	N/A	5/8	4.50	2.25
152	N/A	5/8	5.42	2.71
182	15/16	1	4.81	2.41
212	15/16	1-1/2	5.56	2.78
242	1	1-1/2	6.00	3.00
262	1	1-1/2	5.93	2.97
302	1-3/16	2-3/16	7.50	3.75
322	1-7/16	2-3/16	7.56	3.78
382	1-7/16	2-3/16	7.56	3.78
422	1-7/16	2-3/16	8.50	4.25
452	"QD BUSHING KIT REQUIRED"		10.00	5.00
522	"QD BUSHING KIT REQUIRED"		11.13	5.56
GW602	2	3-7/16	11.50	5.75
GW702	2-7/16	3-15/16	13.50	6.75
GW802	3-7/16	4-7/16	14.50	7.25
GW1002	3-7/16	5-7/16	18.50	9.25

### Fan Detail For Models GW602 Through GW1002



MODEL	A	FA	FB	FC
GW602	N/A	11.13	9.50	4.00
GW702	N/A	11.37	9.65	4.83
GW802	N/A	12.52	9.65	4.83
GW1002	N/A	14.69	11.28	5.62

ALL GW MODELS ARE FAN COOLED.

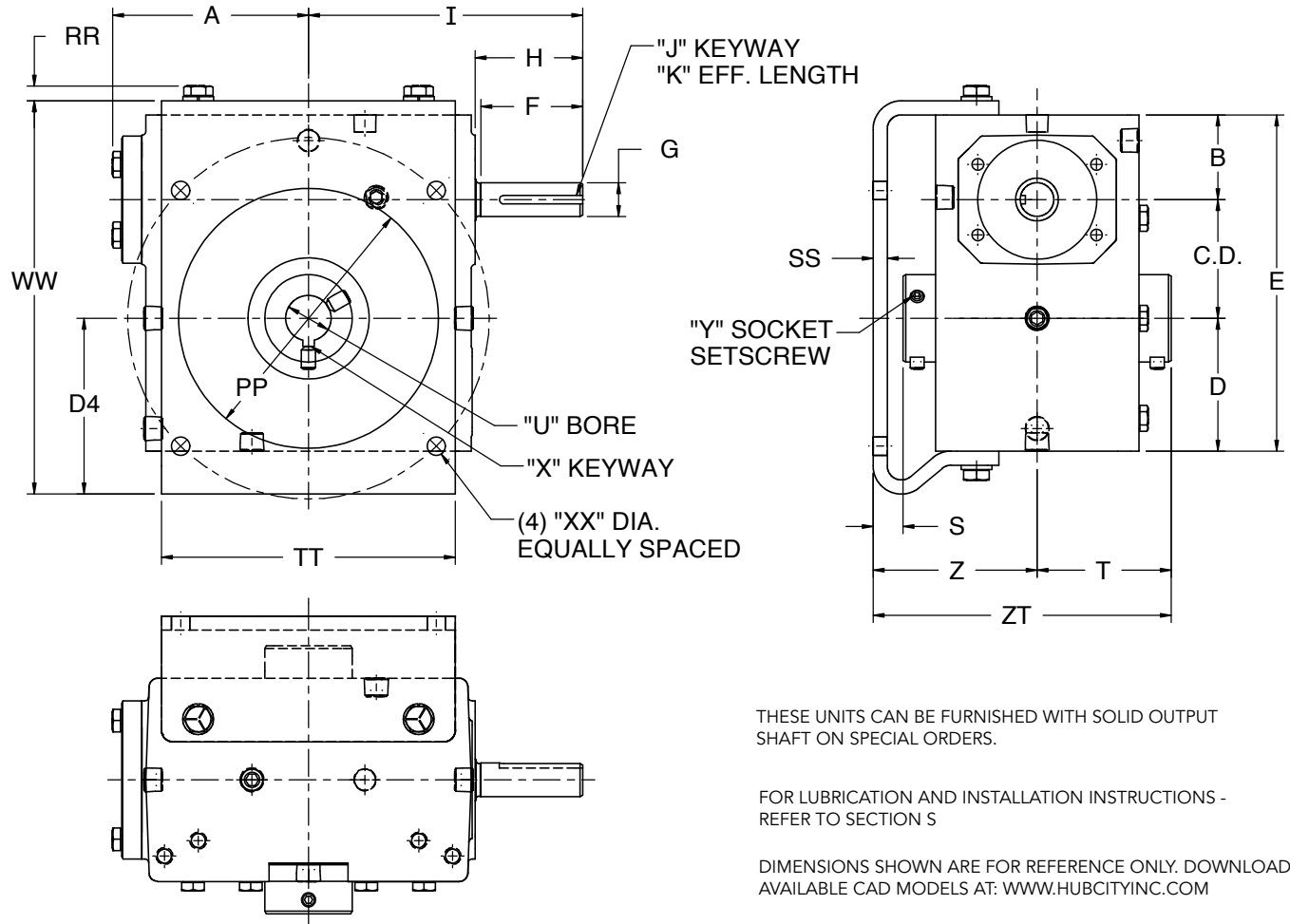


Select hollow output bore models in this product line are now available with the HubLoc® Keyless Bushing System. Refer to pages i and ii at front of this catalog for features, available sizes, and ordering information.

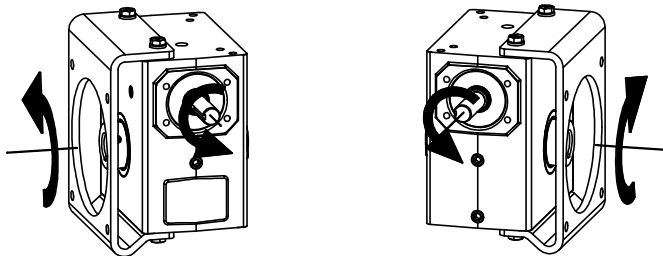
# Hub City Worm Gear Drives

## Single Reduction Models

133, 183, 213, 243, 263, 323, 383 (STEEL BRACKET)



### Standard Styles Available



STYLE "L"

STYLE "R"

CONSULT FACTORY FOR VERTICAL SHAFT LUBRICATION RECOMMENDATIONS. INPUT SHAFT CAN BE ROTATED IN EITHER DIRECTION.

# Hub City Worm Gear Drives

## Single Reduction Models

133, 183, 213, 243, 263, 323, 383 (STEEL BRACKET)

MODEL	C.D.	A	B	D	E	F	G	H	I	J	K
133	1.334	2.61	1.186	1.562	4.082	1.67	.500/.4985	1.76	3.82	1/8 X 1/16 P&W	1.44
183	1.751	3.23	1.374	1.875	5.000	N/A	.625/.6235	1.76	4.44	3/16 X 3/32 P&W	1.50
213	2.064	3.61	1.500	2.437	6.000	N/A	.625/.6235	1.76	4.82	3/16 X 3/32 P&W	1.50
243 *	2.376	3.77	2.061	2.500	6.937	2.38	.750/.7485	2.38	5.51	3/16 X 3/32 P&W	1.75
263	2.626	4.33	1.874	2.938	7.438	2.36	.750/.7485	2.38	6.07	3/16 X 3/32 P&W	1.75
323	3.251	5.28	2.124	3.250	8.625	N/A	.875/.8735	2.38	6.75	3/16 X 3/32 P&W	1.75
383	3.751	4.90	2.374	3.937	10.062	2.20	1.000/.999	2.48	7.38	1/4 X 1/8 P&W	1.91

\* Model 243 also available with Cast F-Flange as either an add-on kit (see page B-103) or as a special assembly (consult factory).

MODEL	D4	PP	RR	SS	TT	WW	XX	YY	Wt. Lbs.
133	2.50	3.62	0.22	0.19	4.25	5.22	11/32	5.000	18
183	3.13	4.25	0.22	0.25	4.88	6.50	11/32	5.875	18
213	3.75	4.75	0.33	0.31	5.75	7.63	13/32	7.000	29
243	3.61	5.00	0.33	0.25	6.00	8.30	13/32	7.500	43
263	3.89	5.75	0.33	0.31	6.75	8.70	13/32	8.000	43
323	4.45	6.88	0.44	0.31	7.50	10.14	13/32	9.000	74
383	5.09	7.50	0.44	0.31	8.25	11.53	9/16	10.000	92

### Stock Output Bores

MINIMUM AND MAXIMUM BORE DIMENSIONS SHOWN.  
FOR ADDITIONAL STOCK OUTPUT BORE SIZES  
AVAILABLE SEE PAGE B-96.

MODEL	U (MIN.)	U (MAX.)	S	T	Z	ZT
133	N/A	5/8	0.75	2.25	3.00	5.25
183	15/16	1	0.91	2.41	3.31	5.71
213	15/16	1-1/2	0.85	2.78	3.63	6.41
243	1	1-1/2	0.75	2.97	3.72	6.69
263	1	1-1/2	0.66	2.97	3.63	6.60
323	1-7/16	2-3/16	0.22	3.78	4.00	7.78
383	1-7/16	2-3/16	0.72	3.78	4.50	8.28

BORE TOLERANCE NOMINAL + .002

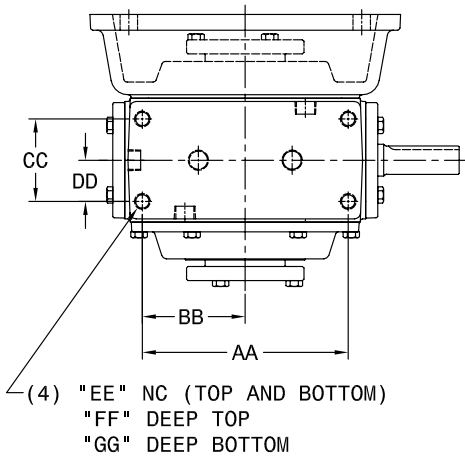
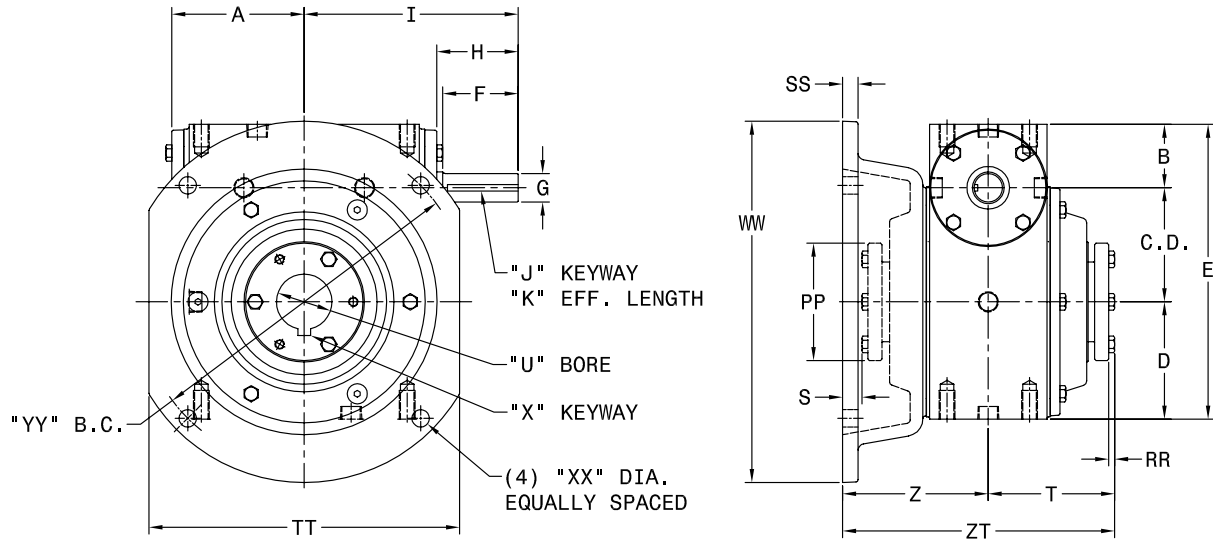


Select hollow output bore models in this product line are now available with the HubLoc® Keyless Bushing System. Refer to pages i and ii at front of this catalog for features, available sizes, and ordering information.

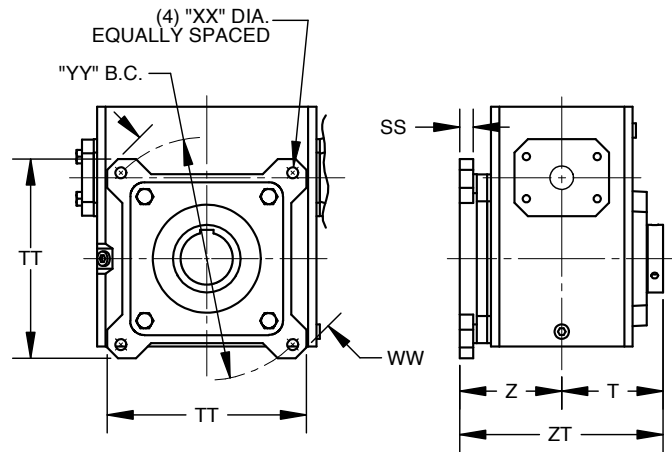
# Hub City Worm Gear Drives

## Single Reduction Models

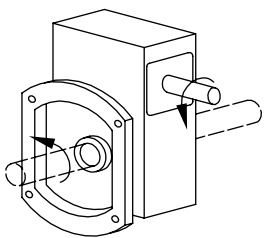
153, 303, 423, 453, 523 (CAST FLANGE)



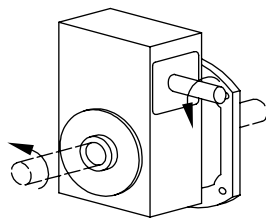
Detail for Models 153, 303, 423 F-Flange



### Standard Styles Available



STYLE "L"



STYLE "R"

THESE UNITS CAN BE FURNISHED WITH SOLID OUTPUT SHAFT ON SPECIAL ORDER.

FOR LUBRICATION AND INSTALLATION INSTRUCTIONS - REFER TO SECTION S

DIMENSIONS SHOWN ARE FOR REFERENCE ONLY. DOWNLOAD AVAILABLE CAD MODELS AT: [WWW.HUBCITYINC.COM](http://WWW.HUBCITYINC.COM)

CONSULT FACTORY FOR VERTICAL SHAFT LUBRICATION RECOMMENDATIONS. INPUT SHAFT CAN BE ROTATED IN EITHER DIRECTION.

# Hub City Worm Gear Drives

## Single Reduction Models

153, 303, 423, 453, 523 (CAST FLANGE)

MODEL	C.D.	A	B	D	E	F	G	H	I	J	K
153	1.541	3.14	1.928	1.906	5.375	1.76	.625/.6235	1.76	4.35	3/16 X 3/32 P&W	1.50
303	3.001	4.84	2.624	3.250	8.875	2.38	.875/.8735	2.38	6.57	3/16 X 3/32 P&W	1.75
423	4.251	6.10	2.686	4.438	11.375	3.47	1.250/1.2485	3.47	9.57	1/4 X 1/8 P&W	2.87
453	4.501	5.23	2.499	4.625	11.625	2.98	1.125/1.124	3.21	8.44	1/4 X 1/8	2.50
523	5.168	5.98	2.624	5.375	13.167	N/A	1.250/1.249	3.27	9.25	1/4 X 1/8	2.63

MODEL	AA	BB	CC	DD	EE	FF	GG	SS	TT	WW	XX	YY	WT LBS.
153	4.188	2.094	2.750	1.375	5/16 UNC	0.63	0.63	0.38	4.50	5.92	11/32	5.000	18
303	7.000	3.500	4.000	2.000	7/16 UNC	0.88	0.88	0.50	7.37	9.89	13/32	9.000	63
423	8.500	4.250	5.000	2.500	5/8 UNC	1.00	1.00	0.62	9.65	12.95	9/16	11.500	115
453	8.125	4.063	3.250	1.625	5/8 UNC	0.88	1.13	0.63	12.25	14.25	11/16	13.000	115
523	9.500	4.750	3.750	1.875	5/8 UNC	1.00	1.25	0.75	12.50	15.50	11/16	14.000	144

### Stock Output Bores

MINIMUM AND MAXIMUM BORE DIMENSIONS SHOWN.  
FOR ADDITIONAL STOCK OUTPUT BORE SIZES AND  
STOCK QD BUSHING KITS AVAILABLE SEE PAGE B-96.

MOD-EL	U (MIN.)	U (MAX.)	S	T	Z	ZT
153	N/A	5/8	0.16	2.71	2.94	5.65
303	1-3/16	2-3/16	0.03	3.75	3.78	7.53
423	1-7/16	2-3/16	0.31	4.25	4.56	8.81
453	"QD BUSHING KIT		0.75	5.00	5.75	10.75
523	REQUIRED"		1.44	5.56	7.00	12.56

NOTE: Model 243 also available with Cast F-Flange as either an add-on kit (see page B-103) or as a special assembly (consult factory).

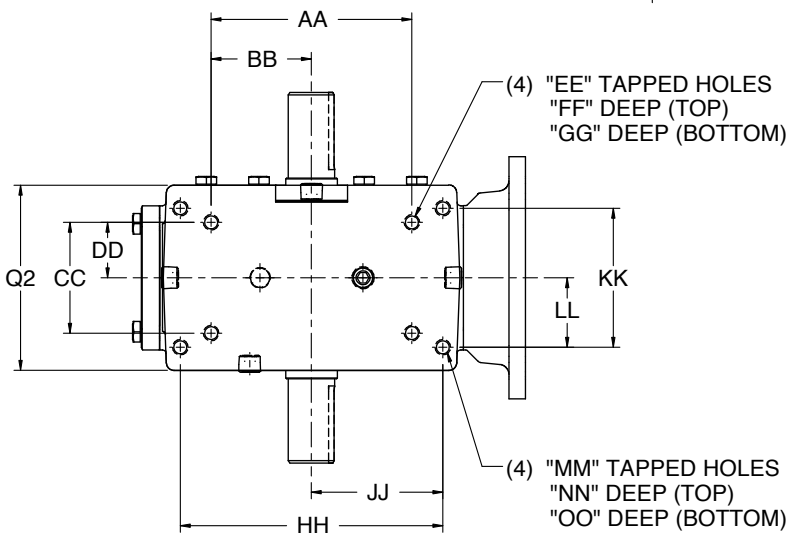
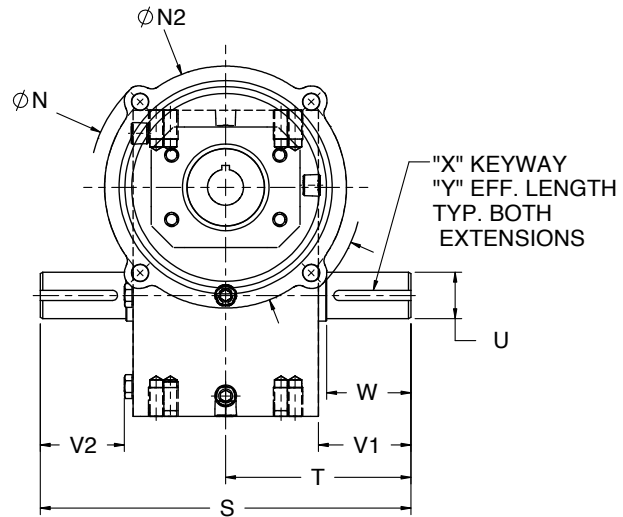
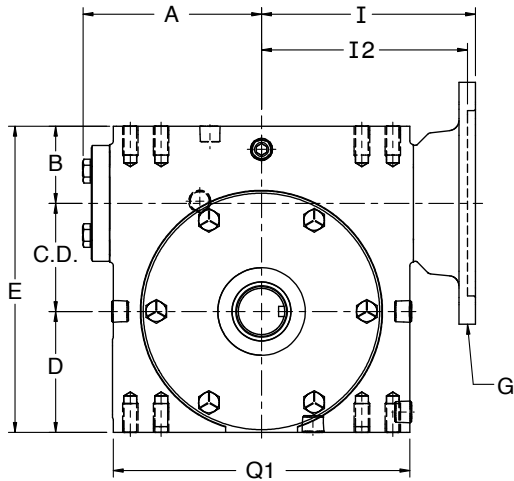


Select hollow output bore models in this product line are now available with the HubLoc® Keyless Bushing System. Refer to pages i and ii at front of this catalog for features, available sizes, and ordering information.

# Hub City Worm Gear Drives

## Single Reduction Models

134, 154, 184, 214, 244, 264, 304, 324, 384, 424, 454, 524, GW604



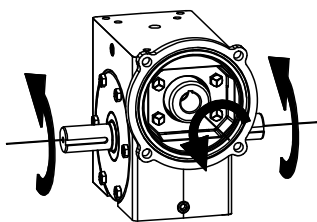
SPECIAL, METRIC AND SAE HYDRAULIC INPUT FLANGES AVAILABLE.  
CONSULT FACTORY FOR COMPLETE SPECIFICATIONS.

REFER TO FAN DETAIL ON NEXT PAGE FOR GW MODELS.

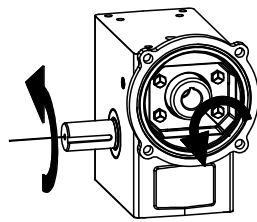
FOR LUBRICATION AND INSTALLATION INSTRUCTIONS - REFER TO SECTION S

DIMENSIONS SHOWN ARE FOR REFERENCE ONLY.  
DOWNLOAD AVAILABLE CAD MODELS AT:  
[WWW.HUBCITYINC.COM](http://WWW.HUBCITYINC.COM)

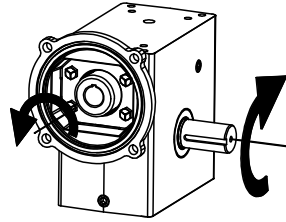
### Standard Styles Available



STYLE "A"



STYLE "B"



STYLE "C"

CONSULT FACTORY FOR VERTICAL SHAFT LUBRICATION RECOMMENDATIONS.  
INPUT SHAFT CAN BE ROTATED IN EITHER DIRECTION.

# Hub City Worm Gear Drives

## Single Reduction Models

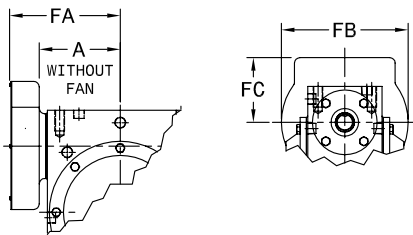
134, 154, 184, 214, 244, 264, 304, 324, 384, 424, 454, 524, GW604

MODEL	C.D.	A	B	D	E	Q1	Q2
134	1.334	2.61	1.186	1.562	4.082	4.12	3.12
154	1.541	3.14	1.928	1.906	5.375	4.88	3.44
184	1.751	3.23	1.374	1.875	5.000	5.16	3.44
214	2.064	3.61	1.500	2.437	6.000	5.88	4.12
244	2.376	3.77	2.061	2.500	6.937	6.12	4.06
264	2.626	4.33	1.874	2.938	7.438	7.20	4.50
304	3.001	4.84	2.624	3.250	8.875	8.12	5.25
324	3.251	5.28	2.124	3.250	8.625	8.62	5.20
384	3.751	4.90	2.374	3.937	10.062	9.60	5.62
424	4.251	6.10	2.686	4.438	11.375	10.25	6.13
454	4.501	5.23	2.499	4.625	11.625	9.25	4.63
524	5.168	5.98	2.624	5.375	13.167	10.75	5.06
GW604	6.000	N/A	4.000	6.500	16.500	14.25	8.13

MODEL	S	T	U	V1	V2	W	X	Y
134	6.50	3.25	.625/.624	1.69	1.53	1.60	3/16 X 3/32	1.38
154	8.62	4.31	.750/.7485	2.11	1.90	2.08	3/16 X 3/32	1.51
184	7.00	3.50	.750/.749	1.78	1.57	1.54	3/16 X 3/32	1.41
214	8.50	4.25	.875/.874	2.19	1.98	1.95	3/16 X 3/32	1.83
244	10.28	5.14	1.125/1.1235	2.66	2.44	2.62	1/4 x 1/8	1.76
264	9.00	4.50	1.250/1.249	2.25	2.04	N/A	1/4 x 1/8	1.85
304	13.50	6.75	1.250/1.2485	3.60	3.36	3.57	1/4 X 1/8	2.26
324	10.88	5.44	1.375/1.374	2.84	2.62	2.75	5/16 X 5/32	2.31
384	13.38	6.69	1.500/1.499	3.88	N/A	N/A	3/8 X 3/16	3.16
424	16.24	8.12	1.875/1.8735	4.50	4.21	4.47	1/2 X 1/4	3.06
454 **	14.50	7.25	1.625/1.624	4.18	N/A	3.90	3/8 X 3/16	3.28
524 ***	15.62	7.81	1.750/1.749	4.47	N/A	4.17	3/8 X 3/16	3.50
GW604	20.00	10.00	2.500	4.65	4.65	N/A	5/8 X 5/16 P&W	4.00

\*\* ALSO AVAILABLE WITH 1.750/1.749 (U) DIAMETER OUTPUT SHAFT. CONSULT FACTORY.  
 \*\*\* ALSO AVAILABLE WITH 2.000/1.999 (U) DIAMETER OUTPUT SHAFT. CONSULT FACTORY.

### Fan Detail for Model GW604



MODEL	A	FA	FB	FC
GW604	N/A	11.13	9.50	4.00

ALL GW MODELS ARE FAN COOLED.

MODEL	G	I	I2	N	N2		
134	48CZ	3.46	N/A	4.36	3.87		
	56C			6.63	6.50		
154	48CZ	3.99	N/A	4.36	3.87		
	56C			6.63	6.50		
	143TC						
184	48CZ	4.09	N/A	4.36	3.87		
	56C			6.63	6.50		
	143TC						
214	48CZ	4.46	N/A	4.36	3.87		
	56C			6.63	6.50		
	143TC						
244	56C	4.63	N/A	6.50	6.50		
	143TC						
	182TC			N/A	5.06	9.00	9.00
264	56C	5.19	N/A	6.50	6.50		
	143TC						
	182TC			N/A	5.81	9.00	9.00
304	56C	5.95	N/A	6.50	6.50		
	143TC						
	182TC			N/A	6.15	9.00	9.00
	213TC				6.56		
324	56C	6.14	N/A	6.50	6.50		
	143TC						
	182TC			N/A	6.53	9.00	9.00
	213TC				7.09		
384	56C	6.50	N/A	6.50	6.50		
	143TC						
	182TC			N/A	6.88	9.00	9.00
424	56C	6.45	N/A	6.50	6.50		
	143TC						
	182TC			N/A	7.21	9.00	9.00
	213TC				7.77		
	254TC						
454	56C	6.75	N/A	6.50	6.50		
	143TC						
	182TC			N/A	6.75	9.00	9.00
213TC							
524 *	182TC	N/A	7.50	9.00	9.00		
	213TC						
	254TC						
GW604	56C	10.45	N/A	6.50	6.50		
	143TC						
	182TC			N/A	9.33	9.00	9.00
	213TC						
	254TC				9.94		

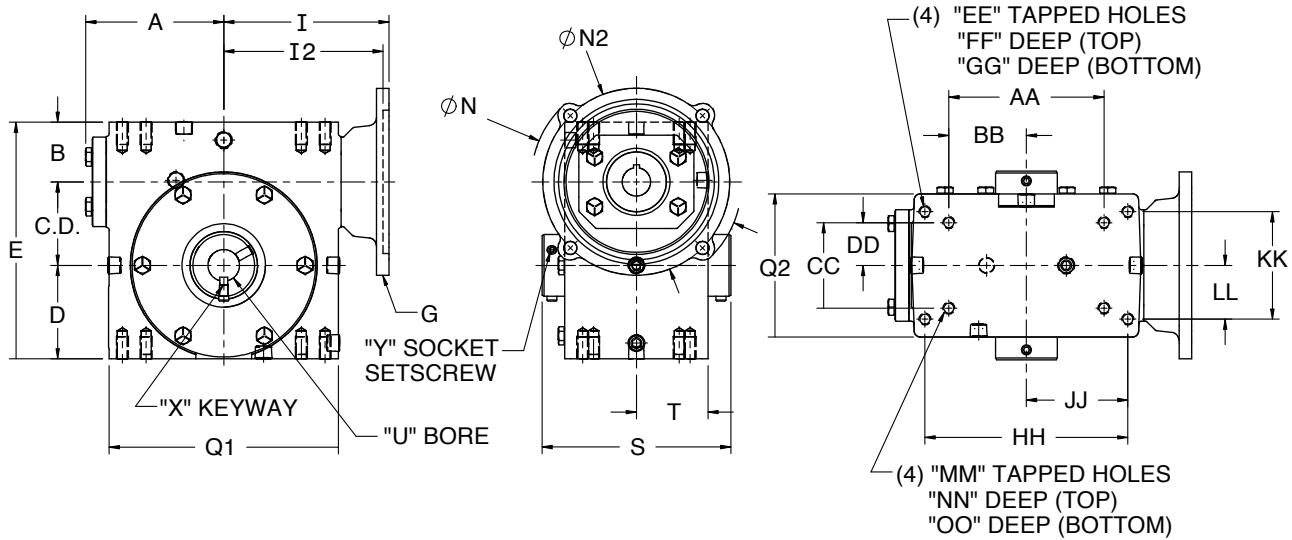
\* 56C & 143TC FLANGES AVAILABLE AS MODIFIED STANDARDS

MODEL	AA	BB	CC	DD	EE	FF	GG	HH	JJ	KK	LL	MM	NN	OO	Wt. Lbs.
134	2.250	1.125	1.625	0.813	1/4 UNC	0.50	0.50	3.250	1.625	2.000	1.000	5/16 UNC	0.50	0.50	12
154	4.188	2.094	2.750	1.375	5/16 UNC	0.63	0.63	N/A	N/A	N/A	N/A	N/A	N/A	N/A	16
184	3.125	1.563	1.625	0.813	1/4 UNC	0.50	0.50	4.188	2.094	2.750	1.375	5/16 UNC	0.63	0.63	16
214	4.000	2.000	2.000	1.000	3/8 UNC	0.50	0.70	5.000	2.500	2.875	1.438	3/8 UNC	0.70	0.70	25
244	5.000	2.500	2.875	1.438	3/8 UNC	0.69	0.69	N/A	N/A	N/A	N/A	N/A	N/A	N/A	38
264	4.875	2.438	2.688	1.344	3/8 UNC	0.70	0.70	6.375	3.188	3.375	1.688	3/8 UNC	0.70	0.70	38
304	7.000	3.500	4.000	2.000	7/16 UNC	0.88	0.88	N/A	N/A	N/A	N/A	N/A	N/A	N/A	61
324	6.250	3.125	2.750	1.375	1/2 UNC	0.75	0.75	7.500	3.750	4.000	2.000	7/16 UNC	0.88	0.88	67
384	6.875	3.438	3.000	1.500	1/2 UNC	0.94	1.00	8.500	4.250	4.750	2.375	1/2 UNC	1.00	1.00	90
424	8.500	4.250	5.000	2.500	5/8 UNC	1.00	1.00	N/A	N/A	N/A	N/A	N/A	N/A	N/A	112
454	8.125	4.063	3.250	1.625	5/8 UNC	0.88	1.13	N/A	N/A	N/A	N/A	N/A	N/A	N/A	112
524	9.500	4.750	3.750	1.875	5/8 UNC	1.00	1.25	N/A	N/A	N/A	N/A	N/A	N/A	N/A	138
GW604	12.750	6.375	6.380	3.190	5/8 UNC	1.00	1.00	N/A	N/A	N/A	N/A	N/A	N/A	N/A	324

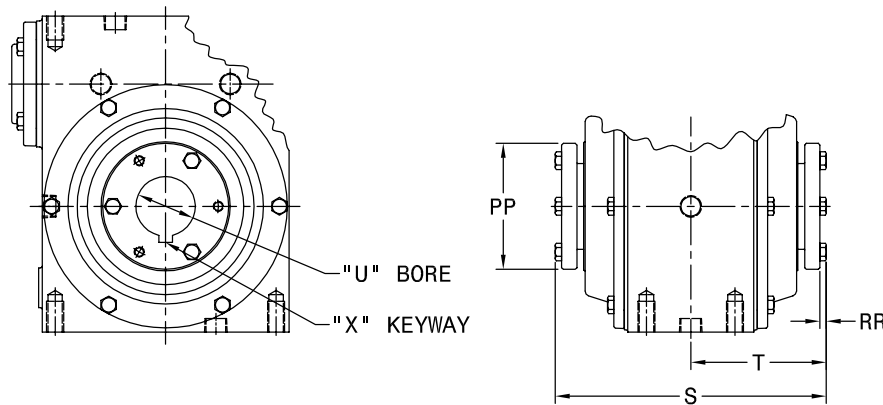
# Hub City Worm Gear Drives

## Single Reduction Models

135, 155, 185, 215, 245, 265, 305, 325, 385, 425, 455, 525, GW605



### QD Bushing Detail for Models 455 & 525



SPECIAL, METRIC AND SAE HYDRAULIC INPUT FLANGES AVAILABLE. CONSULT FACTORY FOR COMPLETE SPECIFICATIONS.

THESE UNITS CAN BE FURNISHED WITH SOLID OUTPUT SHAFT ON SPECIAL ORDERS.

SHAFT MOUNTED UNITS REQUIRE TORQUE ARMS. TORQUE ARM KITS ARE AVAILABLE. SEE PAGE B-105.

REFER TO FAN DETAIL ON NEXT PAGE FOR GW MODELS.

FOR LUBRICATION AND INSTALLATION INSTRUCTIONS - REFER TO SECTION S

DIMENSIONS SHOWN ARE FOR REFERENCE ONLY. DOWNLOAD AVAILABLE CAD MODELS AT: [WWW.HUBCITYINC.COM](http://WWW.HUBCITYINC.COM)

### Standard Styles Available



STYLE "A"

STYLE "B"

NOTE: STYLE "A" SUPPLIED AS STANDARD UNLESS SPECIFIED OTHERWISE.

CONSULT FACTORY FOR VERTICAL SHAFT LUBRICATION RECOMMENDATIONS.

INPUT SHAFT CAN BE ROTATED IN EITHER DIRECTION.



Select hollow output bore models in this product line are now available with the HubLoc® Keyless Bushing System. Refer to pages i and ii at front of this catalog for features, available sizes, and ordering information.



# Hub City Worm Gear Drives

## Single Reduction Models

135, 155, 185, 215, 245, 265, 305, 325, 385, 425, 455, 525, GW605

MODEL	C.D.	A	B	D	E	Q1	Q2
135	1.334	2.61	1.186	1.562	4.082	4.12	3.12
155	1.541	3.14	1.928	1.906	5.375	4.88	3.44
185	1.751	3.23	1.374	1.875	5.000	5.16	3.44
215	2.064	3.61	1.500	2.437	6.000	5.88	4.12
245	2.376	3.77	2.061	2.500	6.937	6.12	4.06
265	2.626	4.33	1.874	2.938	7.438	7.20	4.50
305	3.001	4.84	2.624	3.250	8.875	8.12	5.25
325	3.251	5.28	2.124	3.250	8.625	8.62	5.20
385	3.751	4.90	2.374	3.937	10.062	9.60	5.62
425	4.251	6.10	2.686	4.438	11.375	10.25	6.13
455	4.501	5.23	2.499	4.625	11.625	9.25	4.63
525	5.168	5.98	2.624	5.375	13.167	10.75	5.06
GW605	6.000	N/A	4.000	6.500	16.500	14.25	8.13

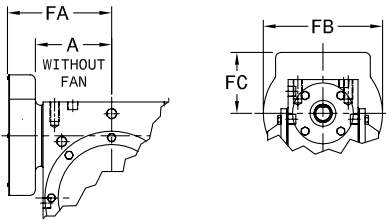
MODEL	G	I	I2	N	N2		
135	48CZ	3.46	N/A	4.36	3.87		
	56C			6.63	6.50		
155	48CZ	3.99	N/A	4.36	3.87		
	56C			6.63	6.50		
	143TC						
185	48CZ	4.09	N/A	4.36	3.87		
	56C			6.63	6.50		
	143TC						
215	48CZ	4.46	N/A	4.36	3.87		
	56C			6.63	6.50		
	143TC						
245	56C	4.63	N/A	6.50	6.50		
	143TC						
	182TC			N/A	5.06	9.00	9.00
265	56C	5.19	N/A	6.50	6.50		
	143TC						
	182TC			N/A	5.81	9.00	9.00
305	56C	5.95	N/A	6.50	6.50		
	143TC						
	182TC			N/A	6.15	9.00	9.00
	213TC				6.56		
325	56C	6.14	N/A	6.50	6.50		
	143TC						
	182TC			N/A	6.53	9.00	9.00
	213TC				7.09		
385	56C	6.50	N/A	6.50	6.50		
	143TC						
	182TC			N/A	6.88	9.00	9.00
425	56C	6.45	N/A	6.50	6.50		
	143TC						
	182TC			N/A	7.21	9.00	9.00
	213TC				7.77		
	254TC						
455	56C	6.75	N/A	6.50	6.50		
	143TC						
	182TC			N/A	6.75	9.00	9.00
	213TC						
525 *	182TC	N/A	7.50	9.00	9.00		
	213TC						
GW605	56C	10.45	N/A	6.50	6.50		
	143TC						
	182TC			N/A	9.33	9.00	9.00
	213TC						
	254TC				9.94		

### Stock Output Bores

MINIMUM AND MAXIMUM BORE DIMENSIONS SHOWN.  
FOR ADDITIONAL STOCK OUTPUT BORE SIZES AND  
STOCK QD BUSHING KITS AVAILABLE SEE PAGE B-96.

MODEL	U (MIN.)	U (MAX.)	S	T
135	N/A	5/8	4.50	2.25
155	N/A	5/8	5.42	2.71
185	15/16	1	4.81	2.41
215	15/16	1-1/2	5.56	2.78
245	1	1-1/2	6.00	3.00
265	1	1-1/2	5.93	2.97
305	1-3/16	2-3/16	7.50	3.75
325	1-7/16	2-3/16	7.56	3.78
385	1-7/16	2-3/16	7.56	3.78
425	1-7/16	2-3/16	8.50	4.25
455	QD BUSHING KIT		10.00	5.00
525	REQUIRED		11.13	5.56
GW605	2	3-7/16	11.50	5.75

### Fan Detail for Model GW605



MODEL	A	FA	FB	FC
GW605	N/A	11.13	9.50	4.00

ALL GW MODELS ARE FAN COOLED.

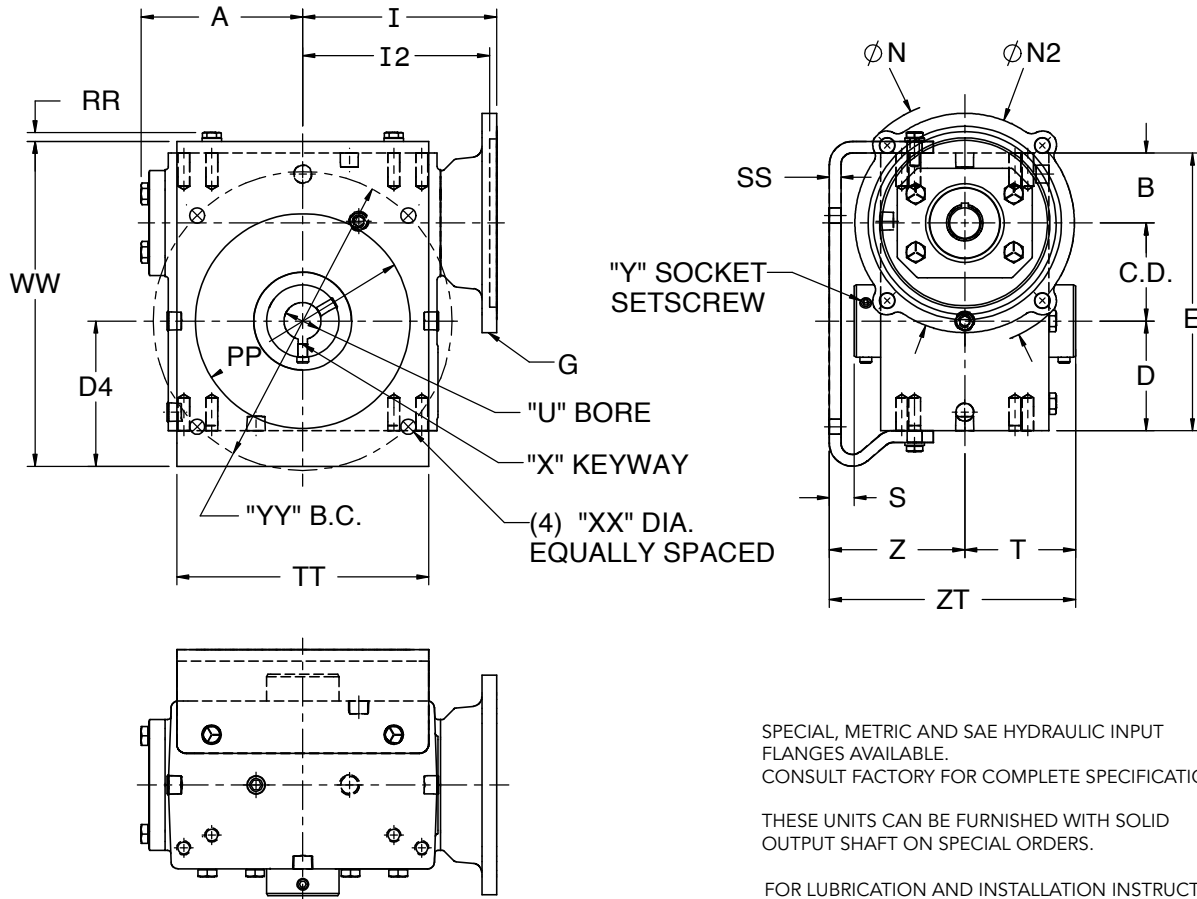
MODEL	AA	BB	CC	DD	EE	FF	GG	HH	JJ	KK	LL	MM	NN	OO	Wt. Lbs.
135	2.250	1.125	1.625	0.813	1/4 UNC	0.50	0.50	3.250	1.625	2.000	1.000	5/16 UNC	0.50	0.50	16
155	4.188	2.094	2.750	1.375	5/16 UNC	0.63	0.63	N/A	N/A	N/A	N/A	N/A	N/A	N/A	16
185	3.125	1.563	1.625	0.813	1/4 UNC	0.50	0.50	4.188	2.094	2.750	1.375	5/16 UNC	0.63	0.63	16
215	4.000	2.000	2.000	1.000	3/8 UNC	0.50	0.70	5.000	2.500	2.875	1.438	3/8 UNC	0.70	0.70	25
245	5.000	2.500	2.875	1.438	3/8 UNC	0.69	0.69	N/A	N/A	N/A	N/A	N/A	N/A	N/A	38
265	4.875	2.438	2.688	1.344	3/8 UNC	0.70	0.70	6.375	3.188	3.375	1.688	3/8 UNC	0.70	0.70	38
305	7.000	3.500	4.000	2.000	7/16 UNC	0.88	0.88	N/A	N/A	N/A	N/A	N/A	N/A	N/A	61
325	6.250	3.125	2.750	1.375	1/2 UNC	0.75	0.75	7.500	3.750	4.000	2.000	7/16 UNC	0.88	0.88	70
385	6.875	3.438	3.000	1.500	1/2 UNC	0.94	1.00	8.500	4.250	4.750	2.375	1/2 UNC	1.00	1.00	86
425	8.500	4.250	5.000	2.500	5/8 UNC	1.00	1.00	N/A	N/A	N/A	N/A	N/A	N/A	N/A	117
455	8.125	4.063	3.250	1.625	5/8 UNC	0.88	1.13	N/A	N/A	N/A	N/A	N/A	N/A	N/A	117
525	9.500	4.750	3.750	1.875	5/8 UNC	1.00	1.25	N/A	N/A	N/A	N/A	N/A	N/A	N/A	145
GW605	12.750	6.375	6.380	3.190	5/8 UNC	1.00	1.00	N/A	N/A	N/A	N/A	N/A	N/A	N/A	330

\* 56C & 143TC FLANGES AVAILABLE AS MODIFIED STANDARDS

# Hub City Worm Gear Drives

## Single Reduction Models

136, 186, 216, 246, 266, 326, 386 (STEEL BRACKET)



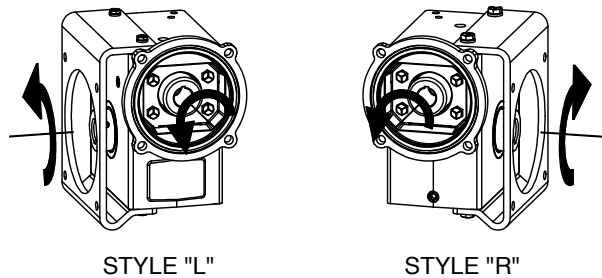
SPECIAL, METRIC AND SAE HYDRAULIC INPUT FLANGES AVAILABLE. CONSULT FACTORY FOR COMPLETE SPECIFICATIONS.

THESE UNITS CAN BE FURNISHED WITH SOLID OUTPUT SHAFT ON SPECIAL ORDERS.

FOR LUBRICATION AND INSTALLATION INSTRUCTIONS - REFER TO SECTION 5

DIMENSIONS SHOWN ARE FOR REFERENCE ONLY. DOWNLOAD AVAILABLE CAD MODELS AT: [WWW.HUBCITYINC.COM](http://WWW.HUBCITYINC.COM)

### Standard Styles Available



CONSULT FACTORY FOR VERTICAL SHAFT LUBRICATION RECOMMENDATIONS. INPUT SHAFT CAN BE ROTATED IN EITHER DIRECTION.

# Hub City Worm Gear Drives

## Single Reduction Models

136, 186, 216, 246, 266, 326, 386 (STEEL BRACKET)

MODEL	C.D.	A	B	D	E	G	I	I2	N	N2
136	1.334	2.61	1.186	1.562	4.082	48CZ	3.46	N/A	4.36	3.87
						56C			6.63	6.50
186	1.751	3.23	1.374	1.875	5.000	48CZ	4.09	N/A	4.36	3.87
						56C			6.63	6.50
						143TC				
216	2.064	3.61	1.500	2.437	6.000	48CZ	4.46	N/A	4.36	3.87
						56C			6.63	6.50
						143TC				
246 *	2.376	3.77	2.061	2.500	6.937	56C	4.63	N/A	6.50	6.50
						143TC				
						182TC	N/A	5.06	9.00	9.00
266	2.626	4.33	1.874	2.938	7.438	56C	5.19	N/A	6.50	6.50
						143TC				
						182TC	N/A	5.81	9.00	9.00
326	3.251	5.28	2.124	3.250	8.625	56C	6.14	N/A	6.50	6.50
						143TC				
						182TC	N/A	6.53	9.00	9.00
						213TC		7.09		
386	3.751	4.90	2.374	3.937	10.062	56C	6.50	N/A	6.50	6.50
						143TC				
						182TC	N/A	6.88	9.00	9.00

\* Model 246 also available with Cast F-Flange as either an add-on kit (see page B-103) or as a special assembly (consult factory).

MODEL	D4	PP	RR	SS	TT	WW	XX	YY	Wt. Lbs.
136	2.50	3.62	0.22	0.19	4.25	5.22	11/32	5.000	18
186	3.13	4.25	0.22	0.25	4.88	6.50	11/32	5.875	18
216	3.75	4.75	0.33	0.31	5.75	7.63	13/32	7.000	29
246	3.61	5.00	0.33	0.25	6.00	8.30	13/32	7.500	43
266	3.89	5.75	0.33	0.31	6.75	8.70	13/32	8.000	43
326	4.45	6.88	0.44	0.31	7.50	10.14	13/32	9.000	74
386	5.09	7.50	0.44	0.31	8.25	11.53	9/16	10.000	92

### Stock Output Bores

MINIMUM AND MAXIMUM BORE DIMENSIONS SHOWN.  
FOR ADDITIONAL STOCK OUTPUT BORE SIZES  
AVAILABLE SEE PAGE B-96.

MODEL	U (MIN.)	U (MAX.)	S	T	Z	ZT
136	N/A	5/8	0.75	2.25	3.00	5.25
186	15/16	1	0.91	2.41	3.31	5.71
216	15/16	1-1/2	0.85	2.78	3.63	6.41
246	1	1-1/2	0.75	2.97	3.72	6.69
266	1	1-1/2	0.66	2.97	3.63	6.60
326	1-7/16	2-3/16	0.22	3.78	4.00	7.78
386	1-7/16	2-3/16	0.72	3.78	4.50	8.28

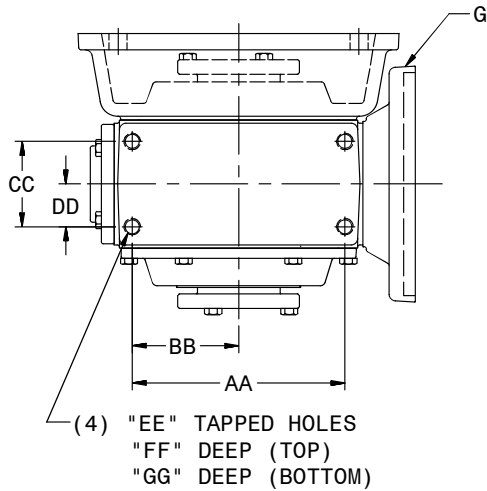
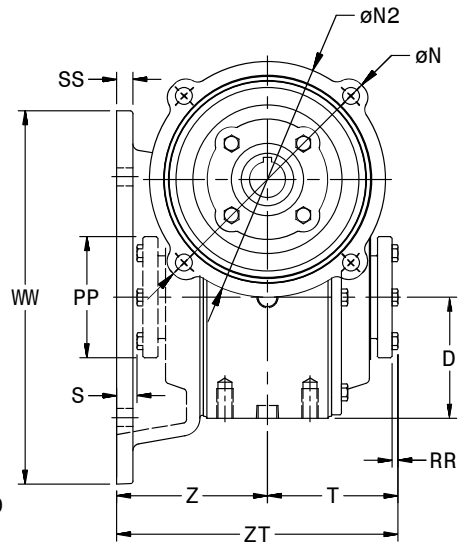
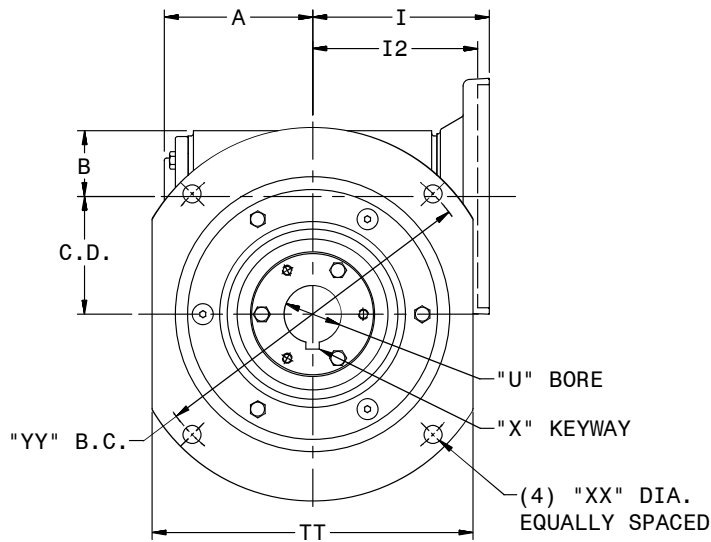


Select hollow output bore models in this product line are now available with the HubLoc® Keyless Bushing System. Refer to pages i and ii at front of this catalog for features, available sizes, and ordering information.

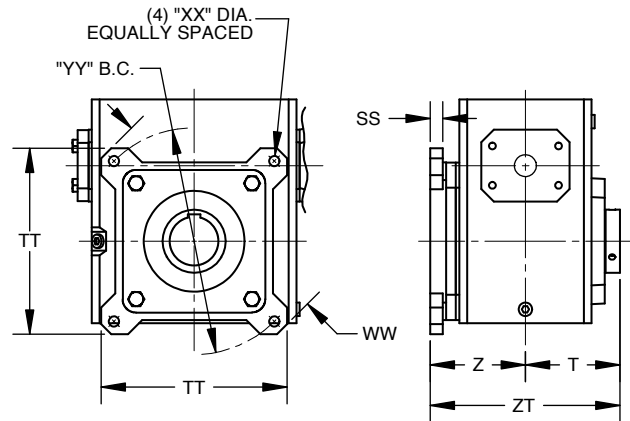
# Hub City Worm Gear Drives

## Single Reduction Models

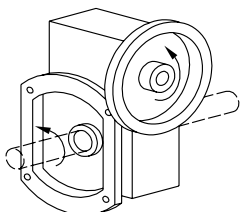
156, 306, 426, 456, 526 (CAST FLANGE)



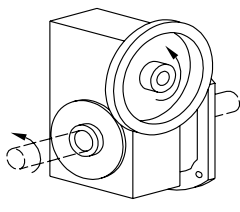
Detail for Models 156, 306, 426 F-Flange



### Standard Styles Available



STYLE "L"



STYLE "R"

CONSULT FACTORY FOR VERTICAL SHAFT LUBRICATION RECOMMENDATIONS.  
INPUT SHAFT CAN BE ROTATED IN EITHER DIRECTION.

SPECIAL, METRIC AND SAE HYDRAULIC INPUT FLANGES AVAILABLE.  
CONSULT FACTORY FOR COMPLETE SPECIFICATIONS.

THESE UNITS CAN BE FURNISHED WITH SOLID OUTPUT SHAFT ON SPECIAL ORDERS.

FOR LUBRICATION AND INSTALLATION INSTRUCTIONS - REFER TO SECTION S

DIMENSIONS SHOWN ARE FOR REFERENCE ONLY.  
DOWNLOAD AVAILABLE CAD MODELS AT: [WWW.HUBCITYINC.COM](http://WWW.HUBCITYINC.COM)

# Hub City Worm Gear Drives

## Single Reduction Models

156, 306, 426, 456, 526 (CAST FLANGE)

MODEL	C.D.	A	B	D	G	I	I2	N	N2
156	1.541	3.14	1.928	1.906	48CZ	3.99	N/A	4.36	3.87
					56C			6.63	6.50
					143TC				
306	3.001	4.84	2.624	3.250	56C	5.95	N/A	6.50	6.50
					143TC				
					182TC	N/A	6.15	9.00	9.00
					213TC		6.56		
426	4.251	6.10	2.686	4.438	56C	6.45	N/A	6.50	6.50
					143TC				
					182TC	N/A	7.21	9.00	9.00
					213TC				
					254TC				
456	4.501	5.23	2.499	4.625	56C	6.75	N/A	6.50	6.50
					143TC				
					182TC	N/A	6.75	9.00	9.00
					213TC				
526 *	5.168	5.98	2.624	5.375	182TC	N/A	7.50	9.00	9.00
					213TC				

\* 56C & 143TC FLANGES AVAILABLE AS MODIFIED STANDARDS

MODEL	AA	BB	CC	DD	EE	FF	GG	SS	TT	WW	XX	YY	WT LBS.
156	4.188	2.094	2.750	1.375	5/16 UNC	0.63	0.63	0.38	4.50	5.92	11/32	5.000	18
306	7.000	3.500	4.000	2.000	7/16 UNC	0.88	0.88	0.50	7.37	9.89	13/32	9.000	67
426	8.500	4.250	5.000	2.500	5/8 UNC	1.00	1.00	0.62	9.65	12.95	9/16	11.500	115
456	8.125	4.063	3.250	1.625	5/8 UNC	0.88	1.13	0.63	12.25	14.25	11/16	13.000	125
526	9.500	4.750	3.750	1.875	5/8 UNC	1.00	1.25	0.75	12.50	15.50	11/16	14.000	154

### Stock Output Bores

MINIMUM AND MAXIMUM BORE DIMENSIONS SHOWN.  
FOR ADDITIONAL STOCK OUTPUT BORE SIZES AND  
STOCK QD BUSHING KITS AVAILABLE SEE PAGE B-96.

MODEL	U (MIN.)	U (MAX.)	S	T	Z	ZT
156	N/A	5/8	0.16	2.71	2.94	5.65
306	1-3/16	2-3/16	0.03	3.75	3.78	7.53
426	1-7/16	2-3/16	0.31	4.25	4.56	8.81
456	"QD BUSHING KIT REQUIRED"		0.75	5.00	5.75	10.75
526			1.44	5.56	7.00	12.56

NOTE: Model 246 also available with Cast F-Flange as either an add-on kit (see page B-103) or as a special assembly (consult factory).

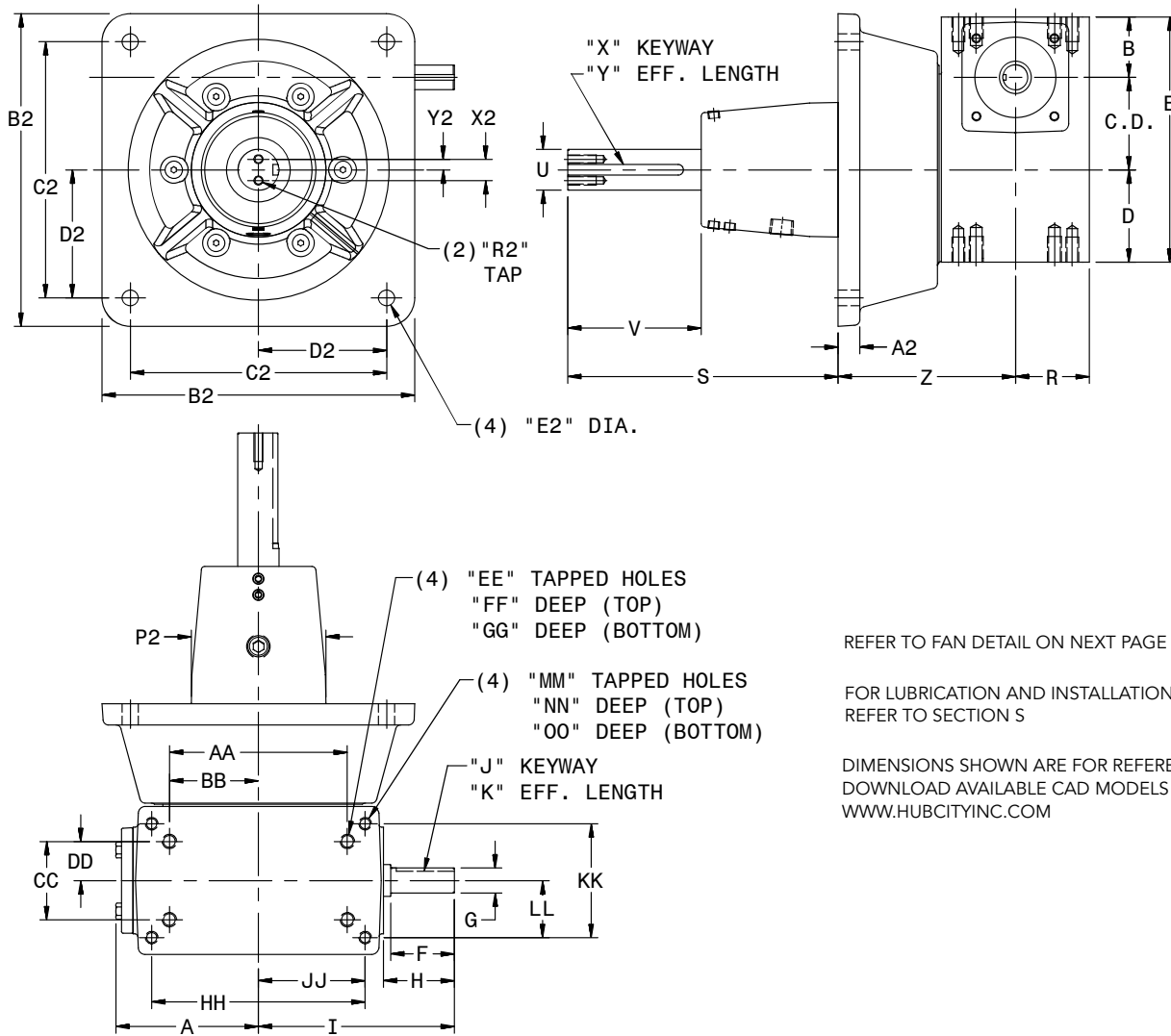


Select hollow output bore models in this product line are now available with the HubLoc® Keyless Bushing System. Refer to pages i and ii at front of this catalog for features, available sizes, and ordering information.

# Hub City Worm Gear Drives

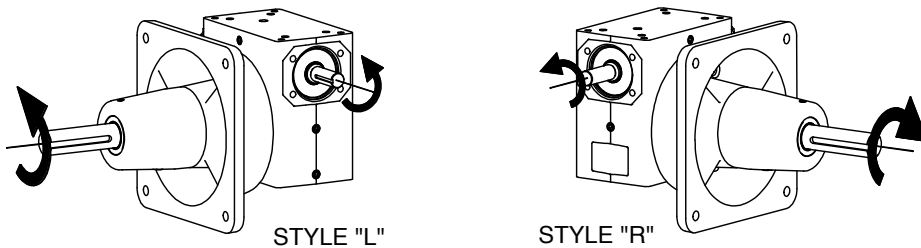
## Single Reduction Models

307, 327, 387, 427, 457, 527, GW607, GW707, GW807, GW1007



REFER TO FAN DETAIL ON NEXT PAGE FOR GW MODELS.  
 FOR LUBRICATION AND INSTALLATION INSTRUCTIONS - REFER TO SECTION S  
 DIMENSIONS SHOWN ARE FOR REFERENCE ONLY.  
 DOWNLOAD AVAILABLE CAD MODELS AT:  
[WWW.HUBCITYINC.COM](http://WWW.HUBCITYINC.COM)

### Standard Styles Available



CONSULT FACTORY FOR VERTICAL SHAFT LUBRICATION RECOMMENDATIONS.  
 INPUT SHAFT CAN BE ROTATED IN EITHER DIRECTION.

# Hub City Worm Gear Drives

## Single Reduction Models

307, 327, 387, 427, 457, 527, GW607, GW707, GW807, GW1007

MODEL	C.D.	A	B	D	E	F	G	H	I	J	K	R
307	3.001	4.84	2.624	3.250	8.875	2.38	.875/.8735	2.38	6.57	3/16 X 3/32 P&W	1.75	3.15
327	3.251	5.28	2.124	3.250	8.625	N/A	.875/.8735	2.38	6.75	3/16 X 3/32 P&W	1.75	2.60
387	3.751	4.90	2.374	3.937	10.062	2.20	1.000/.999	2.48	7.38	1/4 X 1/8 P&W	1.91	2.81
427	4.251	6.10	2.686	4.438	11.375	3.47	1.250/1.2485	3.47	9.57	1/4 X 1/8 P&W	2.87	3.62
457	4.501	5.23	2.499	4.625	11.625	2.98	1.125/1.124	3.21	8.44	1/4 X 1/8	2.50	2.32
527	5.168	5.98	2.624	5.375	13.167	N/A	1.250/1.249	3.27	9.25	1/4 X 1/8	2.63	2.53
GW607	6.000	N/A	4.000	6.500	16.500	N/A	1.500	3.41	11.78	3/8 X 3/16	3.00	5.28
GW707	7.000	N/A	4.320	7.590	18.910	N/A	1.625	2.98	11.50	3/8 X 3/16 P&W	2.87	6.06
GW807	8.000	N/A	4.100	8.860	20.960	N/A	1.875	2.84	12.50	1/2 X 1/4 P&W	2.81	6.22
GW1007	10.000	N/A	5.110	10.360	25.470	N/A	2.250	3.76	15.50	1/2 X 1/4 P&W	3.69	7.94

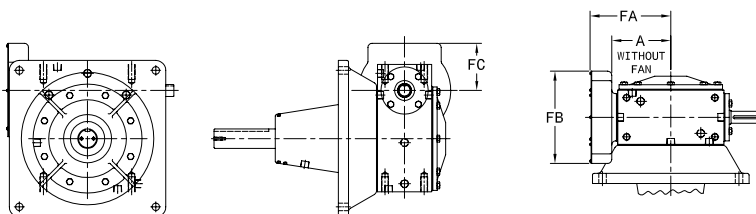
MODEL	OUTPUT FLANGE	S	U	V	X	Y	Z
307	STD	9.78	1.438/1.4365	4.96	3/8 X 3/16	3.88	4.60
327	STD	9.50	1.4375/1.4365	4.68	3/8 X 3/16	3.87	6.22
	LARGE **	9.50	1.625/1.624	4.63	3/8 X 3/16	3.69	6.37
387	STD	9.50	1.625/1.624	4.63	3/8 X 3/16	3.69	6.58
	LARGE **	10.49	1.6875/1.6865	5.49	3/8 X 3/16	4.69	6.18
427	STD	10.76	1.688/1.6865	5.91	3/8 X 3/16	4.68	5.74
457	STD	10.50	1.6875/1.6865	5.50	3/8 X 3/16	4.69	6.00
527	STD	10.50	2.1875/2.1865	5.53	1/2 X 1/4	4.63	6.25
607	STD	15.50	2.4375/2.4367	7.62	5/8 X 5/16	6.50	8.25
GW707	STD	15.50	2.937	7.63	3/4 X 3/8	6.44	8.50
GW807	STD	17.06	3.438	9.25	7/8 X 7/16	8.00	10.00
GW1007	STD	17.00	3.938	9.43	1 X 1/2	7.75	12.50

MODEL	OUTPUT FLANGE	A2	B2	C2	D2	E2	P2	R2	X2	Y2	WT. LBS.
307	STD	0.78	11.00	9.000	4.500	9/16	5.12	5/16 NC X 1.00 DP	0.75	0.38	107
327	STD	0.75	11.00	9.000	4.500	9/16	4.75	5/16 NC X 1.00 DP	0.75	0.38	107
	LARGE **	0.94	12.50	10.500	5.250	9/16	4.94	5/16 NC X 1.00 DP	0.75	0.38	
387	STD	0.94	12.50	10.500	5.250	9/16	4.94	5/16 NC X 1.00 DP	0.75	0.38	136
	LARGE **	1.07	14.00	12.000	6.000	11/16	5.52	3/8 NC X 1.00 DP	1.00	0.50	
427	STD	1.00	14.00	12.000	6.000	11/16	6.75	3/8 NC X 1.00 DP	1.00	0.50	176
457	STD	0.81	14.00	12.000	6.000	11/16	5.50	3/8 NC X 1.00 DP	1.00	0.50	176
527	STD	0.84	16.00	14.000	7.000	13/16	6.63	3/8 NC X 1.00 DP	1.50	0.75	224
607	STD	1.25	19.50	17.000	8.500	15/16	8.50	3/8 NC X 1.00 DP	1.50	0.75	363
GW707	STD	1.75	22.00	19.000	9.500	1 1/8	10.75	3/8 NC X 1.00 DP	2.00	1.00	560
GW807	STD	2.00	28.00	24.000	12.000	1 5/16	13.75	5/8 NC X 1.50 DP	2.12	1.06	780
GW1007	STD	2.25	32.00	28.000	14.000	1 5/16	17.00	5/8 NC X 1.50 DP	2.38	1.19	1180

\*\* LARGE FLANGE AVAILABLE AS MODIFIED STANDARD. CONSULT FACTORY.

MODEL	AA	BB	CC	DD	EE	FF	GG	HH	JJ	KK	LL	MM	NN	OO
307	7.000	3.500	4.000	2.000	7/16 UNC	0.88	0.88	N/A	N/A	N/A	N/A	N/A	N/A	N/A
327	6.250	3.125	2.750	1.375	1/2 UNC	0.75	0.75	7.500	3.750	4.000	2.000	7/16 UNC	0.88	0.88
387	6.875	3.438	3.000	1.500	1/2 UNC	0.94	1.00	8.500	4.250	4.750	2.375	1/2 UNC	1.00	1.00
427	8.500	4.250	5.000	2.500	5/8 UNC	1.00	1.00	N/A	N/A	N/A	N/A	N/A	N/A	N/A
457	8.125	4.063	3.250	1.625	5/8 UNC	0.88	1.13	N/A	N/A	N/A	N/A	N/A	N/A	N/A
527	9.500	4.750	3.750	1.875	5/8 UNC	1.00	1.25	N/A	N/A	N/A	N/A	N/A	N/A	N/A
GW607	12.750	6.375	6.380	3.190	5/8 UNC	1.00	1.00	N/A	N/A	N/A	N/A	N/A	N/A	N/A
GW707	12.500	6.250	5.500	2.750	1 UNC	1.56	1.56	N/A	N/A	N/A	N/A	N/A	N/A	N/A
GW807	14.250	7.125	6.500	3.250	1 UNC	1.66	1.66	N/A	N/A	N/A	N/A	N/A	N/A	N/A
GW1007	17.750	8.875	6.875	3.438	1-1/4 UNC	2.04	2.04	N/A	N/A	N/A	N/A	N/A	N/A	N/A

### Fan Detail for Models GW607 Through GW1007



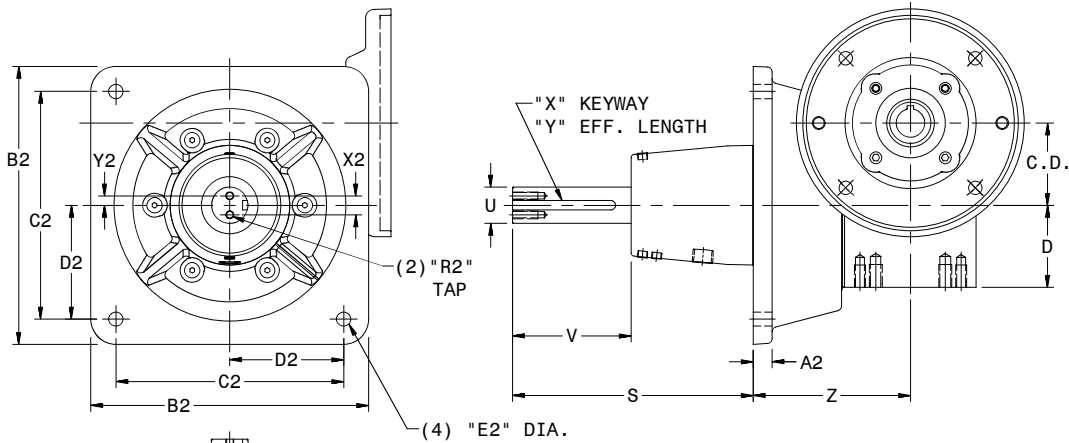
MODEL	A	FA	FB	FC
GW607	N/A	11.13	9.50	4.00
GW707	N/A	11.37	9.65	4.83
GW807	N/A	12.52	9.65	4.83
GW1007	N/A	14.69	11.28	5.62

ALL GW MODELS ARE FAN COOLED.

# Hub City Worm Gear Drives

## Single Reduction Models

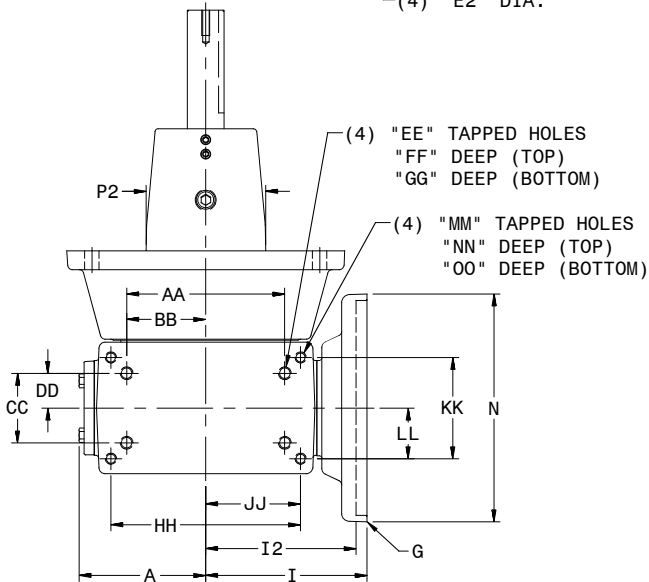
308, 328, 388, 428, 458, 528, GW608



FOR LUBRICATION AND INSTALLATION INSTRUCTIONS - REFER TO SECTION 5

SPECIAL, METRIC AND SAE HYDRAULIC INPUT FLANGES AVAILABLE. CONSULT FACTORY FOR COMPLETE SPECIFICATIONS.

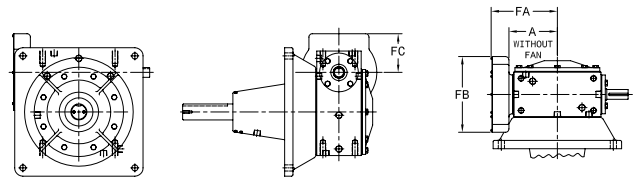
DIMENSIONS SHOWN ARE FOR REFERENCE ONLY. DOWNLOAD AVAILABLE CAD MODELS AT: [WWW.HUBCITYINC.COM](http://WWW.HUBCITYINC.COM)



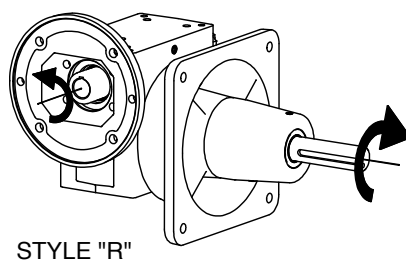
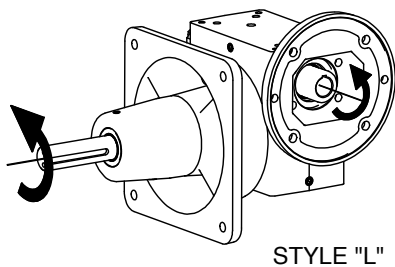
### Fan Detail for Model GW608

MODEL	A	FA	FB	FC
GW608	N/A	11.13	9.50	4.00

ALL GW MODELS ARE FAN COOLED.



### Standard Styles Available



CONSULT FACTORY FOR VERTICAL SHAFT LUBRICATION RECOMMENDATIONS. INPUT SHAFT CAN BE ROTATED IN EITHER DIRECTION.



# Hub City Worm Gear Drives

## Single Reduction Models

308, 328, 388, 428, 458, 528, GW608

MODEL	C.D.	A	D	G	I	I2	N
308	3.001	4.84	3.250	56C	5.95	N/A	6.50
				143TC			
				182TC	N/A	6.15	9.00
				213TC		6.56	
328	3.251	5.28	3.250	56C	6.14	N/A	6.50
				143TC			
				182TC	N/A	6.53	9.00
				213TC		7.09	
388	3.751	4.90	3.937	56C	6.50	N/A	6.50
				143TC			
				182TC	N/A	6.88	9.00
428	4.251	6.10	4.438	56C	6.45	N/A	6.50
				143TC			
				182TC	N/A	7.21	9.00
				213TC		7.77	
458	4.501	5.23	4.625	56C	6.75	N/A	6.50
				143TC			
				182TC	N/A	6.75	9.00
				213TC			
528 *	5.168	5.98	5.375	182TC	N/A	7.50	9.00
				213TC			
GW608	6.000	N/A	6.500	56C	10.45	N/A	6.50
				143TC			
				182TC	N/A	9.33	9.00
				213TC			
				254TC		9.94	

\* 56C & 143TC FLANGES AVAILABLE AS MODIFIED STANDARDS

MODEL	OUTPUT FLANGE	S	U	V	X	Y	Z
308	STD	9.78	1.438/1.4365	4.96	3/8 X 3/16	3.88	4.60
328	STD	9.50	1.4375/1.4365	4.68	3/8 X 3/16	3.87	6.22
	LARGE **	9.50	1.625/1.624	4.63	3/8 X 3/16	3.69	6.37
388	STD	9.50	1.625/1.624	4.63	3/8 X 3/16	3.69	6.58
	LARGE **	10.49	1.6875/1.6865	5.49	3/8 X 3/16	4.69	6.18
428	STD	10.76	1.688/1.6865	5.91	3/8 X 3/16	4.68	5.74
458	STD	10.50	1.6875/1.6865	5.50	3/8 X 3/16	4.69	6.00
528	STD	10.50	2.1875/2.1865	5.53	1/2 X 1/4	4.63	6.25
GW608	STD	15.50	2.4375/2.4367	7.62	5/8 X 5/16	6.50	8.25

MODEL	OUTPUT FLANGE	A2	B2	C2	D2	E2	P2	R2	X2	Y2	WT. LBS.
308	STD	0.78	11.00	9.000	4.500	9/16	5.12	5/16 NC X 1.00 DP	0.75	0.38	117
328	STD	0.75	11.00	9.000	4.500	9/16	4.75	5/16 NC X 1.00 DP	0.75	0.38	117
	LARGE **	0.94	12.50	10.500	5.250	9/16	4.94	5/16 NC X 1.00 DP	0.75	0.38	
388	STD	0.94	12.50	10.500	5.250	9/16	4.94	5/16 NC X 1.00 DP	0.75	0.38	140
	LARGE **	1.07	14.00	12.000	6.000	11/16	5.52	3/8 NC X 1.00 DP	1.00	0.50	
428	STD	1.00	14.00	12.000	6.000	11/16	6.75	3/8 NC X 1.00 DP	1.00	0.50	186
458	STD	0.81	14.00	12.000	6.000	11/16	5.50	3/8 NC X 1.00 DP	1.00	0.50	186
528	STD	0.84	16.00	14.000	7.000	13/16	6.63	3/8 NC X 1.00 DP	1.50	0.75	234
GW608	STD	1.25	19.50	17.000	8.500	15/16	8.50	3/8 NC X 1.00 DP	1.50	0.75	373

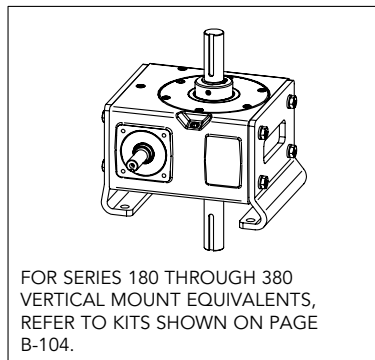
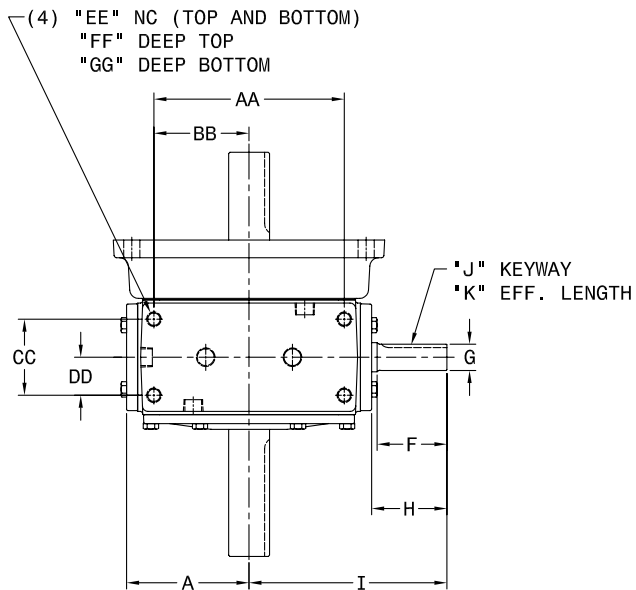
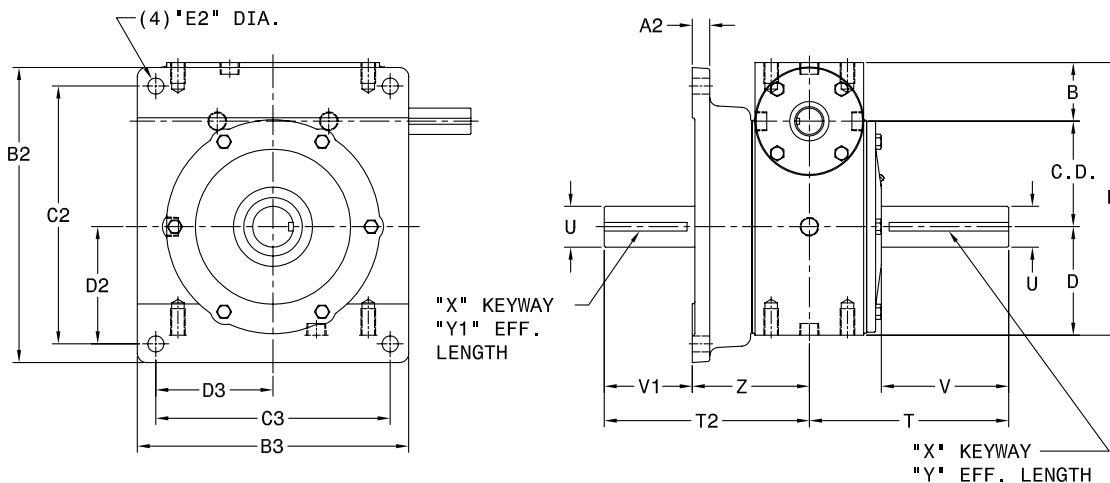
\*\* LARGE FLANGE AVAILABLE AS MODIFIED STANDARD. CONSULT FACTORY.

MODEL	AA	BB	CC	DD	EE	FF	GG	HH	JJ	KK	LL	MM	NN	OO
308	7.000	3.500	4.000	2.000	7/16 UNC	0.88	0.88	N/A	N/A	N/A	N/A	N/A	N/A	N/A
328	6.250	3.125	2.750	1.375	1/2 UNC	0.75	0.75	7.500	3.750	4.000	2.000	7/16 UNC	0.88	0.88
388	6.875	3.438	3.000	1.500	1/2 UNC	0.94	1.00	8.500	4.250	4.750	2.375	1/2 UNC	1.00	1.00
428	8.500	4.250	5.000	2.500	5/8 UNC	1.00	1.00	N/A	N/A	N/A	N/A	N/A	N/A	N/A
458	8.125	4.063	3.250	1.625	5/8 UNC	0.88	1.13	N/A	N/A	N/A	N/A	N/A	N/A	N/A
528	9.500	4.750	3.750	1.875	5/8 UNC	1.00	1.25	N/A	N/A	N/A	N/A	N/A	N/A	N/A
GW608	12.750	6.375	6.380	3.190	5/8 UNC	1.00	1.00	N/A	N/A	N/A	N/A	N/A	N/A	N/A

# Hub City Worm Gear Drives

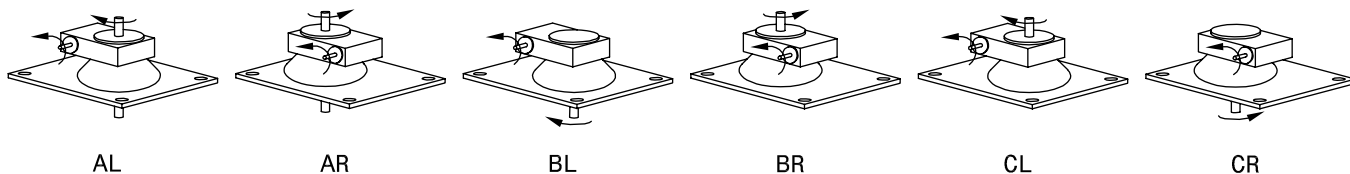
## Single Reduction Models

459V, 529V



FOR LUBRICATION AND INSTALLATION INSTRUCTIONS - REFER TO SECTION S  
DIMENSIONS SHOWN ARE FOR REFERENCE ONLY.  
DOWNLOAD AVAILABLE CAD MODELS AT: [WWW.HUBCITYINC.COM](http://WWW.HUBCITYINC.COM)

### Standard Styles Available



CONSULT FACTORY FOR VERTICAL SHAFT LUBRICATION RECOMMENDATIONS.  
INPUT SHAFT CAN BE ROTATED IN EITHER DIRECTION.

# Hub City Worm Gear Drives

## Single Reduction Models

459V, 529V

MODEL	C.D.	A	B	D	E	F	G	H	I	J	K
459V	4.501	5.23	2.499	4.625	11.625	2.98	1.125/1.124	3.21	8.44	1/4 X 1/8	2.50
529V	5.168	5.98	2.624	5.375	13.167	N/A	1.250/1.249	3.27	9.25	1/4 X 1/8	2.63

MODEL	T	T2	U	V	V1	X	Y	Y1	Z
459V	8.50	8.75	1.750/1.749	5.43	3.75	3/8 X 3/16	4.59	3.03	5.00
529V	9.00	9.75	2.000/1.999	5.66	4.25	1/2 X 1/4	4.88	3.50	5.50

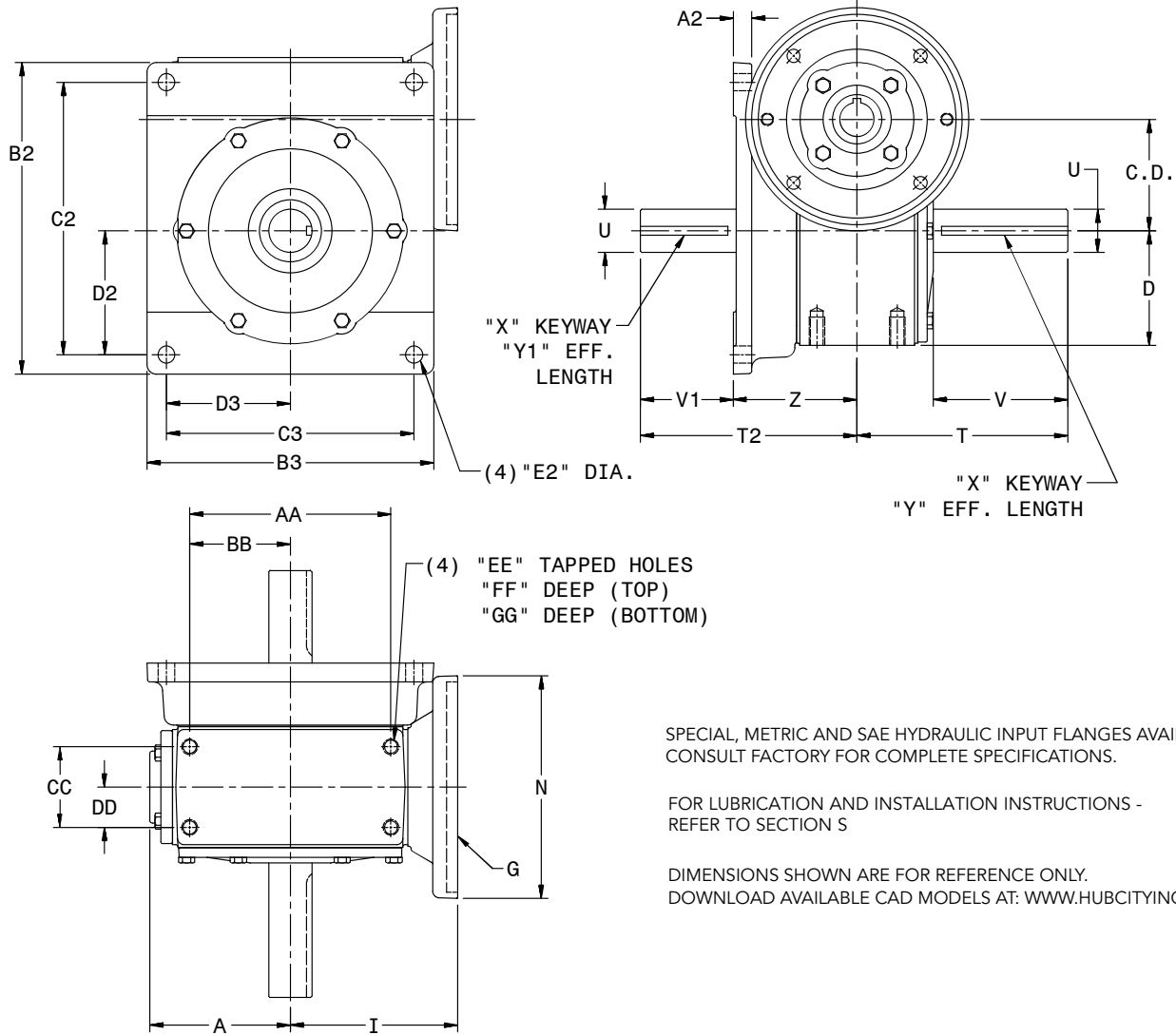
MODEL	A2	B2	B3	C2	C3	D2	D3	E2
459V	.75	12.58	11.58	11.000	10.000	5.000	5.000	11/16
529V	.75	16.83	12.58	15.250	11.000	6.750	5.500	11/16

MODEL	AA	BB	CC	DD	EE	FF	GG	WT. LBS.
459V	8.125	4.063	3.250	1.625	5/8 NC	.88	1.13	115
529V	9.500	4.750	3.750	1.875	5/8 NC	1.00	1.25	144

# Hub City Worm Gear Drives

## Single Reduction Models

450V, 520V

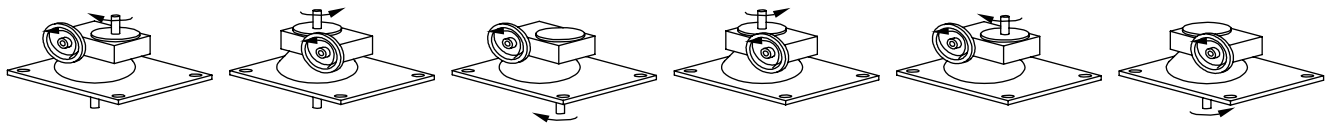


SPECIAL, METRIC AND SAE HYDRAULIC INPUT FLANGES AVAILABLE. CONSULT FACTORY FOR COMPLETE SPECIFICATIONS.

FOR LUBRICATION AND INSTALLATION INSTRUCTIONS - REFER TO SECTION S

DIMENSIONS SHOWN ARE FOR REFERENCE ONLY. DOWNLOAD AVAILABLE CAD MODELS AT: [WWW.HUBCITYINC.COM](http://WWW.HUBCITYINC.COM)

### Standard Styles Available



AL

AR

BL

BR

CL

CR

CONSULT FACTORY FOR VERTICAL SHAFT LUBRICATION RECOMMENDATIONS. INPUT SHAFT CAN BE ROTATED IN EITHER DIRECTION.

# Hub City Worm Gear Drives

## Single Reduction Models

### 450V, 520V

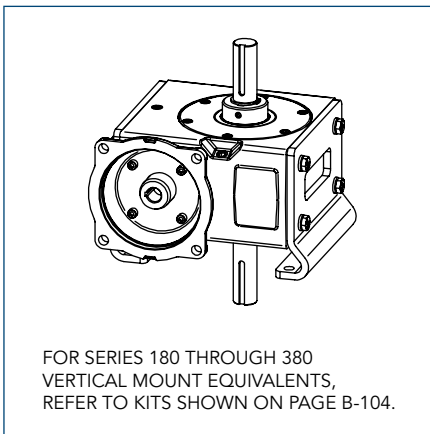
MODEL	C.D.	A	D	G	I	N
450V	4.501	5.67	4.625	56C	6.75	6.50
				143TC		9.00
				182TC		
				213TC		
520V*	5.168	6.42	5.375	182TC	7.50	9.00
				213TC		

\* 56C & 143TC FLANGES AVAILABLE AS MODIFIED STANDARDS

MODEL	T	T2	U	V	V1	X	Y	Y1	Z
450V	8.50	8.75	1.750/1.749	5.43	3.75	3/8 X 3/16	4.59	3.03	5.00
520V	9.00	9.75	2.000/1.999	5.66	4.25	1/2 X 1/4	4.88	3.50	5.50

MODEL	A2	B2	B3	C2	C3	D2	D3	E2
450V	.75	12.58	11.58	11.000	10.000	5.000	5.000	11/16
520V	.75	16.83	12.58	15.250	11.000	6.750	5.500	11/16

MODEL	AA	BB	CC	DD	EE	FF	GG	WT. LBS.
450V	8.125	4.063	3.250	1.625	5/8 NC	.88	1.13	115
520V	9.500	4.750	3.750	1.875	5/8 NC	1.00	1.25	144

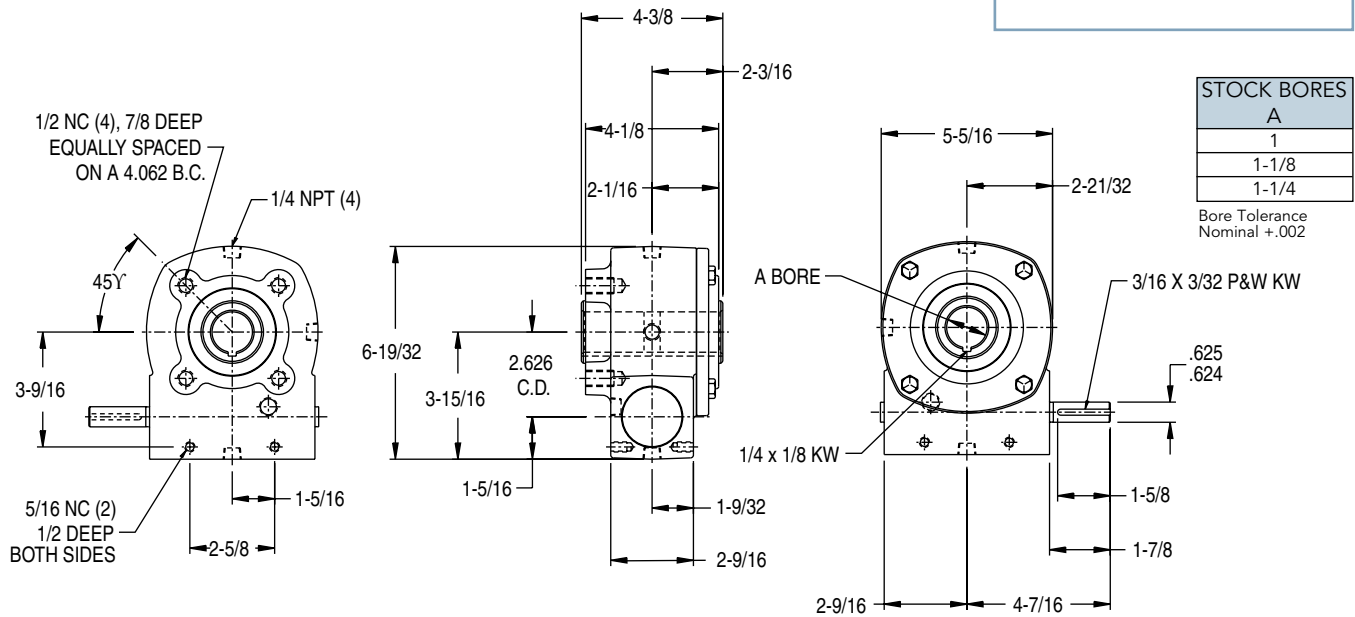
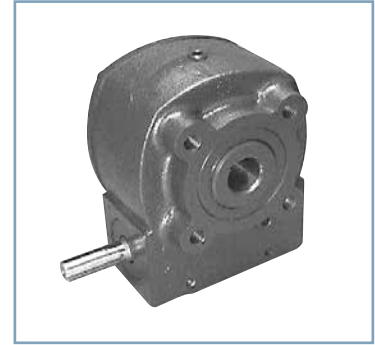


# Hub City Worm Gear Drives

## Single Reduction Model W300

Model W300 is a small, compact reducer that is adaptable to many applications in the medium horsepower range. Unit is shaft mounted for direct mounting on drive shafts. Two drilled and tapped holes on either side of housing for torque arm or other mountings.

Construction features include cast iron alloy housings, tapered roller output bearings, input ball bearings, bronze worm gear, and hardened and ground worm.



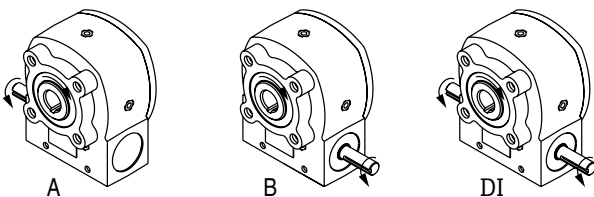
FOR LUBRICATION AND INSTALLATION INSTRUCTIONS REFER TO SECTION S.

METRIC AND SAE HYDRAULIC INPUT FLANGES AVAILABLE. CONSULT FACTORY FOR COMPLETE SPECIFICATIONS.

### Rating Table

RATIO	1750 RPM INPUT			1150 RPM INPUT			850 RPM INPUT			690 RPM INPUT			100 RPM INPUT		
	INPUT HP	OUTPUT		INPUT HP	OUTPUT		INPUT HP	OUTPUT		INPUT HP	OUTPUT		INPUT HP	OUTPUT	
		RPM	IN-LB TORQUE		RPM	IN-LB TORQUE		RPM	IN-LB TORQUE		RPM	IN-LB TORQUE		RPM	IN-LB TORQUE
10:1	2.45	175.0	800	1.90	115.0	960	1.55	85.0	1090	1.35	69.0	1160	.30	10.0	1650
15:1	1.56	116.6	710	1.13	76.6	845	1.01	56.6	980	.84	46.0	1055	.25	6.6	1560
20:1	1.33	87.5	870	1.02	57.5	1020	.83	42.5	1160	.74	34.5	1220	.23	5.0	1750
25:1	1.04	70.0	865	.84	46.0	1050	.64	34.0	1070	.60	27.6	1160	.14	4.0	1410
30:1	.94	58.3	730	.68	38.3	870	.60	28.3	1015	.51	23.0	1090	.15	3.3	1600
40:1	.71	43.7	820	.54	28.8	1000	.46	21.2	1130	.41	17.2	1200	.13	2.5	1690
50:1	.53	35.0	760	.42	23.0	930	.36	17.0	1060	.31	13.8	1140	.08	2.0	1540
60:1	.50	29.2	640	.42	19.1	840	.35	14.1	990	.30	11.5	1075	.08	1.6	1350

### Standard Styles Available



DIMENSIONS SHOWN ARE FOR REFERENCE ONLY. DOWNLOAD AVAILABLE CAD MODELS AT: [WWW.HUBCITYINC.COM](http://WWW.HUBCITYINC.COM)

CONSULT FACTORY FOR VERTICAL SHAFT LUBRICATION RECOMMENDATIONS.

INPUT SHAFT CAN BE ROTATED IN EITHER DIRECTION.

# Hub City Worm Gear Drives

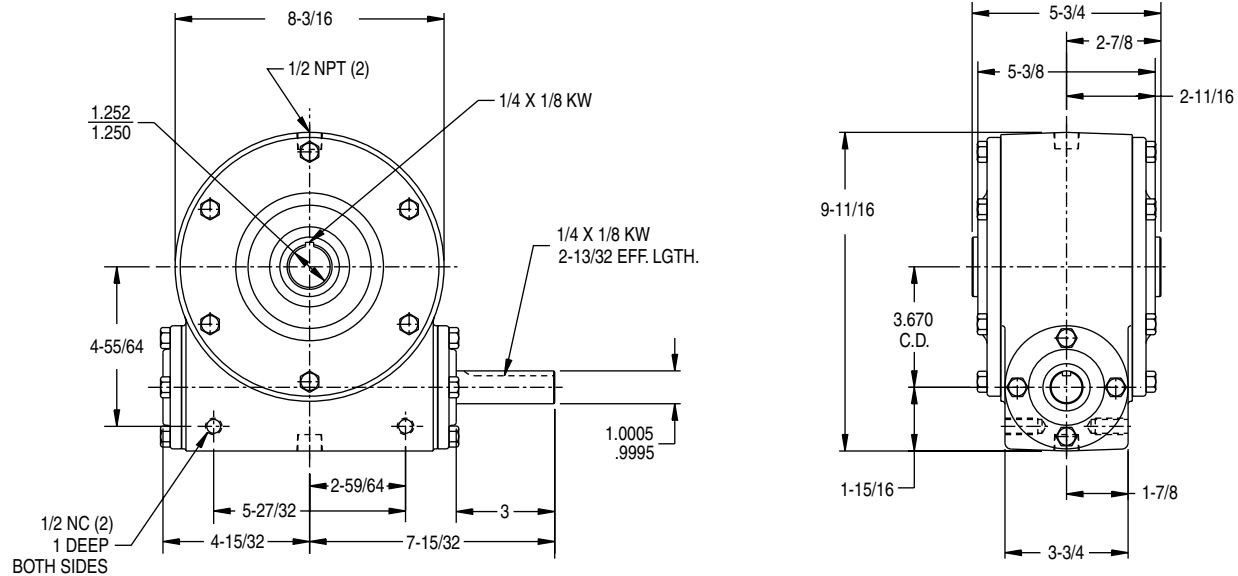
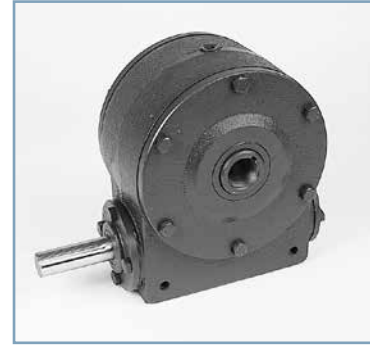
## Single Reduction Model W50B

Model W50B worm gear reducers are sturdily built, compact, and have a high torque capacity. Output sleeve has hollow bore for direct mounting on driven shaft.

Tapered roller bearings and bronze worm gear for improved efficiency and smooth operation.

Construction with all cast alloy iron housings; heavy-duty industrial seals.

Factory installed "C" flanges are available on special order.

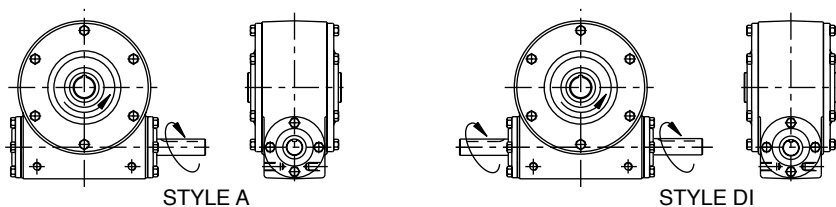


FOR LUBRICATION AND INSTALLATION INSTRUCTIONS REFER TO SECTION 5.

### Rating Table

RATIO	1750 RPM INPUT			1150 RPM INPUT			850 RPM INPUT			690 RPM INPUT			100 RPM INPUT		
	INPUT HP	RPM	IN-LB TORQUE	INPUT HP	RPM	IN-LB TORQUE	INPUT HP	RPM	IN-LB TORQUE	INPUT HP	RPM	IN-LB TORQUE	INPUT HP	RPM	IN-LB TORQUE
8:1	5.5	218.0	1510	4.4	144.0	1860	3.8	106.0	2170	3.4	86.0	2360	.80	12.5	3790
16:1	3.2	109.0	1690	2.6	72.0	2110	2.0	53.0	2420	1.9	43.0	2640	.45	6.25	4180
32:1	1.7	54.7	1640	1.4	36.0	2600	1.2	26.5	2360	1.1	21.5	2590	.25	3.12	4030

### Standard Styles Available



DIMENSIONS SHOWN ARE FOR REFERENCE ONLY.  
DOWNLOAD AVAILABLE CAD MODELS AT:  
[WWW.HUBCITYINC.COM](http://WWW.HUBCITYINC.COM)

CONSULT FACTORY FOR VERTICAL SHAFT  
LUBRICATION RECOMMENDATIONS.

INPUT SHAFT CAN BE ROTATED IN EITHER DIRECTION.

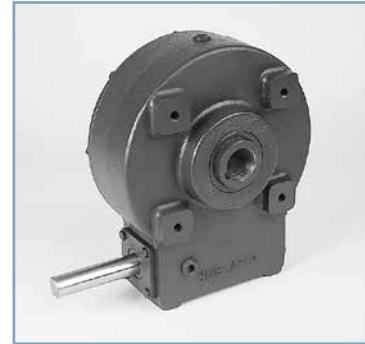
# Hub City Worm Gear Drives

## Single Reduction Model W516

Model W516 is ideally suited for apron drive applications on spreader wagons, bulk feed boxes, etc.

Constructed with all alloy cast iron housings, tapered roller bearings, and industrial type oil seals. Totally enclosed for oil lubrication.

Unit available with either bronze or cast iron worm gear. Also available with output shaft extensions or hollow bore for shaft mounting. Four mounting pads on either side of the housing are drilled and tapped 1/2" NC for direct mounting.

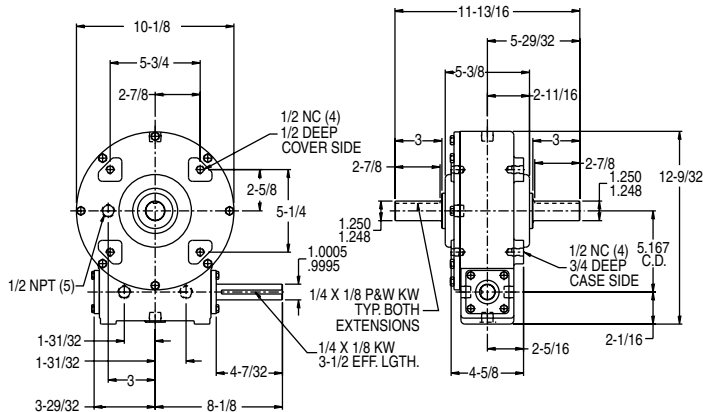


### Rating Table

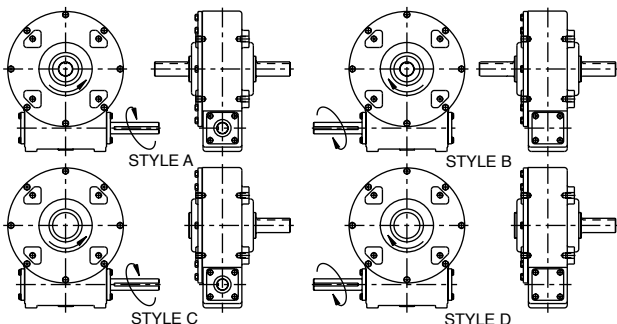
MODEL	RATIO	1750 RPM INPUT			1150 RPM INPUT			850 RPM INPUT			690 RPM INPUT			100 RPM INPUT		
		INPUT HP	RPM	IN-LB TORQUE	INPUT HP	RPM	IN-LB TORQUE	INPUT HP	RPM	IN-LB TORQUE	INPUT HP	RPM	IN-LB TORQUE	INPUT HP	RPM	IN-LB TORQUE
W516 BRONZE GEAR	*12.5:1	12.7	140	5267	10.5	92	6576	9.4	68	7878	8.5	55.2	8677	1.8	8	12,289
	25:1	7.2	70	5654	6.1	46	7110	5.4	34	8378	4.9	27.6	9225	1.2	4	13,077
	50:1	4.2	35	5402	3.6	23	7343	3.2	17	8890	2.9	13.8	9819	.68	2	14,495
W516 CAST IRON GEAR	*12.5:1							5.1	68	4016	4.5	55.2	4262	1.0	8	5909
	25:1							2.8	34	3891	2.5	27.6	4167	.55	4	5460
	50:1							1.5	17	3613	1.3	13.8	3740	.25	2	3939

\*MFG. TO ORDER - CONSULT FACTORY FOR PRICE AND DELIVERY  
FOR LUBRICATION AND INSTALLATION INSTRUCTIONS REFER TO SECTION S.

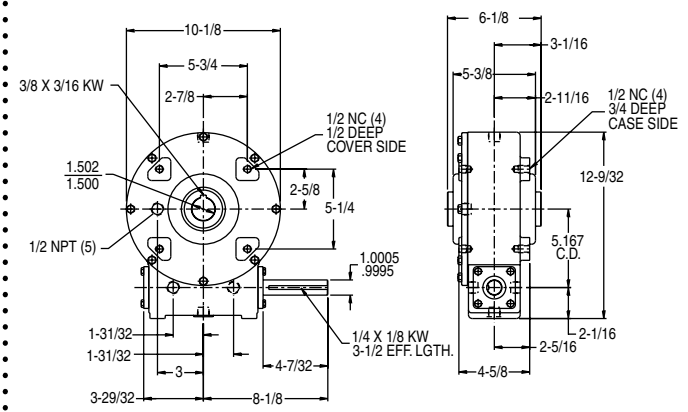
### W516 Solid Shaft Output



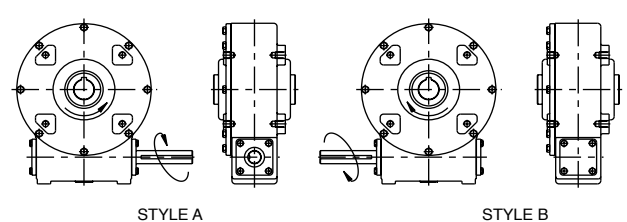
### Styles Available



### W516 Hollow Bore Output



### Styles Available

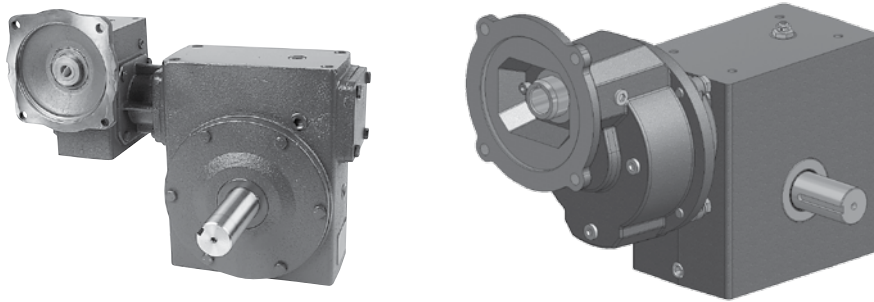


DIMENSIONS SHOWN ARE FOR REFERENCE ONLY.  
DOWNLOAD AVAILABLE CAD MODELS AT: [WWW.HUBCITYINC.COM](http://WWW.HUBCITYINC.COM)  
CONSULT FACTORY FOR VERTICAL SHAFT LUBRICATION RECOMMENDATIONS.  
INPUT SHAFT CAN BE ROTATED IN EITHER DIRECTION.



# Hub City Worm Gear Drives

## Double Reduction



Double Reduction (Worm-Worm) Model Index . . . . .	B-58
Helical Worm Double Reduction Assemblies & Ratings . . . . .	B-59 to B-63
Double Reduction (Worm-Worm) Catalog Ratings . . . . .	B-64 to B-71
Model Dimensions . . . . .	B-72 to B-95
Stock Output Bores & QD Bushing Kits . . . . .	B-96
Accessories & Options . . . . .	B-97 to B-106

**For Compact Lightweight  
Aluminum Worm Gear Drives**

See Spartan™  
Worm Gear Drives

Section C

**For High Efficiency  
Right Angle Gear Drives**

See Poweratio® 2000  
Helical Bevel & Helical Worm Units

Sections K & L

**For Available  
Electric Motors**

Section E

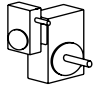
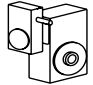
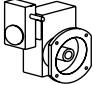
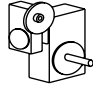
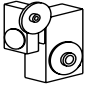
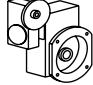
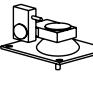

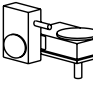

**For Stainless Steel  
Worm Gear Drives**

See HUB<sup>3</sup>

Section O

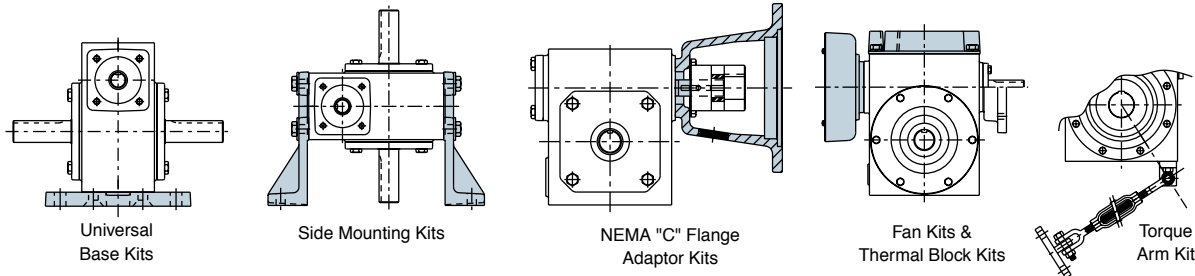
# Hub City Worm Gear Drives

## Double Reduction Model Index

SERIES										
1300	1301 PAGE B-72,B-73	1302 PAGE B-74,B-75	1303 PAGE B-76,B-77	1304 PAGE B-80,B-81	1305 PAGE B-82,B-83	1306 PAGE B-84,B-85				
1500	1501 PAGE B-72,B-73	1502 PAGE B-74,B-75	1503 PAGE B-78,B-79	1504 PAGE B-80,B-81	1505 PAGE B-82,B-83	1506 PAGE B-86,B-87				
1800	1801 PAGE B-72,B-73	1802 PAGE B-74,B-75	1803 PAGE B-76,B-77	1804 PAGE B-80,B-81	1805 PAGE B-82,B-83	1806 PAGE B-84,B-85			1809 SEE PAGE B-104	1810 SEE PAGE B-104
2100	2101 PAGE B-72,B-73	2102 PAGE B-74,B-75	2103 PAGE B-76,B-77	2104 PAGE B-80,B-81	2105 PAGE B-82,B-83	2106 PAGE B-84,B-85			2109 SEE PAGE B-104	2110 SEE PAGE B-104
2400	2401 PAGE B-72,B-73	2402 PAGE B-74,B-75	2403 PAGE B-76,B-77	2404 PAGE B-80,B-81	2405 PAGE B-82,B-83	2406 PAGE B-84,B-85			2409 SEE PAGE B-104	2410 SEE PAGE B-104
2600	2601 PAGE B-72,B-73	2602 PAGE B-74,B-75	2603 PAGE B-76,B-77	2604 PAGE B-80,B-81	2605 PAGE B-82,B-83	2606 PAGE B-84,B-85			2609 SEE PAGE B-104	2610 SEE PAGE B-104
3000	3001 PAGE B-72,B-73	3002 PAGE B-74,B-75	3003 PAGE B-78,B-79	3004 PAGE B-80,B-81	3005 PAGE B-82,B-83	3006 PAGE B-86,B-87	3007 PAGE B-88,B-89	3008 PAGE B-90,B-91		
3200	3201 PAGE B-72,B-73	3202 PAGE B-74,B-75	3203 PAGE B-76,B-77	3204 PAGE B-80,B-81	3205 PAGE B-82,B-83	3206 PAGE B-84,B-85	3207 PAGE B-88,B-89	3208 PAGE B-90,B-91	3209 SEE PAGE B-104	3210 SEE PAGE B-104
3800	3801 PAGE B-72,B-73	3802 PAGE B-74,B-75	3803 PAGE B-76,B-77	3804 PAGE B-80,B-81	3805 PAGE B-82,B-83	3806 PAGE B-84,B-85	3807 PAGE B-88,B-89	3808 PAGE B-90,B-91	3809 SEE PAGE B-104	3810 SEE PAGE B-104
4200	4201 PAGE B-72,B-73	4202 PAGE B-74,B-75	4203 PAGE B-78,B-79	4204 PAGE B-80,B-81	4205 PAGE B-82,B-83	4206 PAGE B-86,B-87	4207 PAGE B-88,B-89	4208 PAGE B-90,B-91		
4500	4501 PAGE B-72,B-73	4502 PAGE B-74,B-75	4503 PAGE B-78,B-79	4504 PAGE B-80,B-81	4505 PAGE B-82,B-83	4506 PAGE B-86,B-87	4507 PAGE B-88,B-89	4508 PAGE B-90,B-91	4509 PAGE B-92,B-93	4510 PAGE B-94,B-95
5200	5201 PAGE B-72,B-73	5202 PAGE B-74,B-75	5203 PAGE B-78,B-79	5204 PAGE B-80,B-81	5205 PAGE B-82,B-83	5206 PAGE B-86,B-87	5207 PAGE B-88,B-89	5208 PAGE B-90,B-91	5209 PAGE B-92,B-93	5210 PAGE B-94,B-95
GW60D	GW6001 PAGE B-72,B-73	GW6002 PAGE B-74,B-75	GW6003 PAGE SEE PAGE B-103	GW6004 PAGE B-80,B-81	GW6005 PAGE B-82,B-83	GW6006 PAGE SEE PAGE B-103	GW6007 PAGE B-88,B-89	GW6008 PAGE B-90,B-91		
GW70D	GW7001 PAGE B-72,B-73	GW7002 PAGE B-74,B-75	GW7003 PAGE SEE PAGE B-103	GW7004 PAGE B-80,B-81	GW7005 PAGE B-82,B-83	GW7006 PAGE SEE PAGE B-103	GW7007 PAGE B-88,B-89	GW7008 PAGE B-90,B-91		
GW80D	GW8001 PAGE B-72,B-73	GW8002 PAGE B-74,B-75	GW8003 PAGE SEE PAGE B-103	GW8004 PAGE B-80,B-81	GW8005 PAGE B-82,B-83	GW8006 PAGE SEE PAGE B-103	GW8007 PAGE B-88,B-89	GW8008 PAGE B-90,B-91		
GW100D	GW10001 PAGE B-72,B-73	GW10002 PAGE B-74,B-75	GW10003 PAGE SEE PAGE B-103	GW10004 PAGE B-80,B-81	GW10005 PAGE B-82,B-83	GW10006 PAGE SEE PAGE B-103	GW10007 PAGE B-88,B-89	GW10008 PAGE B-90,B-91		

FOR STOCK OUTPUT BORES, QD BUSHING KITS, ACCESSORIES & OPTIONS REFER TO PAGE B-96 TO B-106.

### Lubrication and Mounting Positions



FOLLOW THE LUBRICATION INSTRUCTIONS THAT ARE FURNISHED FOR THE PRIMARY, AND FINAL DRIVE OF YOUR HUB CITY DOUBLE REDUCTION WORM GEAR REDUCER.

THE TWO UNITS THAT MAKE UP THE DOUBLE REDUCTION ASSEMBLY HAVE INDEPENDENT OIL RESERVOIRS AND EACH MUST BE FILLED TO THE SPECIFIED LEVEL OF OIL INDICATED IN THE LUBRICATION INSTRUCTIONS.

**CAUTION** — THE DOUBLE REDUCTION WORM GEAR REDUCER MAY BE MOUNTED IN VIRTUALLY ANY POSITION. HOWEVER, IF THE FINAL MOUNTING POSITION IS SUCH THAT ANY OF THE SHAFTS IS IN A VERTICAL POSITION, IT IS SUGGESTED THAT YOU CONSULT THE FACTORY OR YOUR HUB CITY DISTRIBUTOR FOR SPECIAL LUBRICATION INSTRUCTIONS.

# Hub City Worm Gear Drives

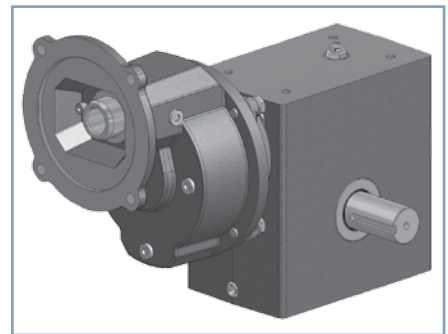
## Double Reduction Models ARM1X, RM3 – Helical Ratio Multipliers

### Features

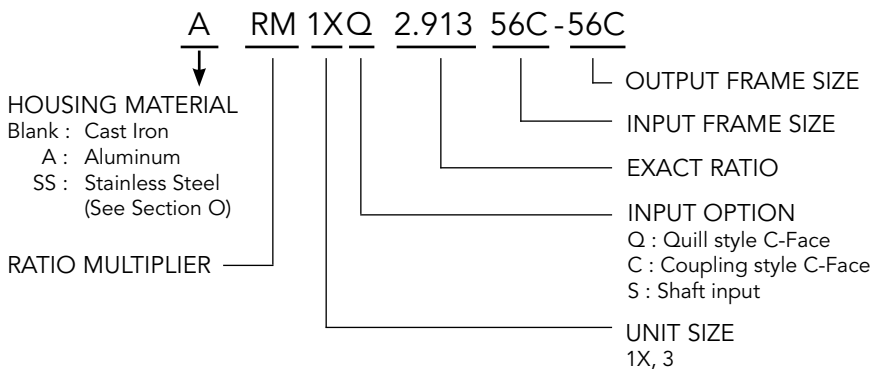
- New Aluminum Model – ARM1X consolidates and replaces both RM1 and RM2 cast iron and aluminum models
  - Same center distance and mounting as RM1
  - Power Ratings of RM2 (higher torque density)
- One Cast Iron Model – RM3
- One Stainless steel model SSRM1 (See Section O)
- Ratios available from 2:1 to 7.5:1
- Can be used as reducer or increaser
- C-Flange or solid input shaft
- Helical gearing
- Double lip seals
- Base mounting available
- Permanently lubricated at factory
- Provides additional reduction capability when mounted onto Helical Gear Reducer or Worm Gear Reducer



SINGLE REDUCTION UNITS PROVIDE OPPOSITE DIRECTION OUTPUT ROTATION



### Model Nomenclature Example



Note: New Model ARM1X consolidates and replaces both RM1 and RM2 cast iron and aluminum models.

Helical Ratio Multipliers, when coupled with a C-faced single reduction worm speed reducer (see illustration) can create an efficient helical-worm double reduction speed reducer combination. Please refer to rating chart example below for selection instructions.

Note: See Section F for dimensions and available frame sizes of Helical ratio multipliers and pages B-30 to B-53 for dimensions and available frame sizes of single reduction worm speed reducers.

Also see Section F for ratings of Helical Ratio multipliers as stand alone parallel shaft reducers.

### Helical-Worm Double Reduction Mechanical Ratings Selection Example

RATINGS @ 1750 INPUT RPM, 1.00 SERVICE FACTOR

USE THIS CHART WHEN COUPLING A HELICAL RATIO MULTIPLIER WITH A SINGLE REDUCTION WORM SPEED REDUCER

TOTAL RATIO	OUTPUT RPM	WORM SERIES	WORM RATIO	HELICAL SIZE	HELICAL RATIO	INPUT HP	EFF. %	OUTPUT TORQUE
40.00	43.8	VZ40	10	ARM1X	4.00	3.63	79.1	1613
40.00	43.8	260	10	ARM1X	4.00	6.29	78.1	2539
40.00	43.8	320	10	ARM1X	4.00	6.29	77.8	4070
40.45	43.3	380	10	RM3	4.05	6.29	79.2	7257
			10	RM3	4.05	6.29	80.2	11029
			10	ARM1X	5.11	0.64	72.1	378
			10	ARM1X	5.11	0.64	73.2	862
51.11	34.2	210	10	ARM1X	5.11	0.99	73.6	1340

NOTE: INPUT FRAME SIZE OF Worm speed reducer MUST match OUTPUT frame size of Helical ratio multiplier. (See dimensional pages reference above for available frame sizes)

See following pages for rating chart.

# Hub City Worm Gear Drives

## Double Reduction

### Helical-Worm Double Reduction Mechanical Ratings

RATINGS @ 1750 INPUT RPM, 1.00 SERVICE FACTOR

USE THIS CHART WHEN COUPLING A HELICAL RATIO MULTIPLIER WITH A SINGLE REDUCTION WORM SPEED REDUCER

TOTAL RATIO	OUTPUT RPM	WORM SERIES	WORM RATIO	HELICAL SIZE	HELICAL RATIO	INPUT HP	EFF. %	OUTPUT TORQUE
40.00	43.8	130	10	ARM1X	4.00	0.31	73.7	330
40.00	43.8	W150	10	ARM1X	4.00	0.51	70.7	519
40.00	43.8	180	10	ARM1X	4.00	0.59	76.7	649
40.00	43.8	210	10	ARM1X	4.00	0.94	77.3	1049
40.00	43.8	W240	10	ARM1X	4.00	1.48	77.5	1655
40.00	43.8	260	10	ARM1X	4.00	2.03	77.9	2270
40.00	43.8	300	10	ARM1X	4.00	2.57	78.0	2880
40.00	43.8	320	10	ARM1X	4.00	2.17	78.8	2460
40.45	43.3	380	10	RM3	4.05	6.42	79.2	7400
40.45	43.3	W420	10	RM3	4.05	6.80	79.5	7870
40.45	43.3	450	10	RM3	4.05	9.64	80.2	11250
40.45	43.3	520	10	RM3	4.05	11.58	81.2	13680
50.00	35.0	130	10	ARM1X	5.00	0.26	72.9	335
50.00	35.0	W150	10	ARM1X	5.00	0.43	69.7	533
50.00	35.0	180	10	ARM1X	5.00	0.48	76.0	661
50.00	35.0	210	10	ARM1X	5.00	0.78	76.6	1071
50.00	35.0	W240	10	ARM1X	5.00	1.23	76.8	1698
50.00	35.0	260	10	ARM1X	5.00	1.68	77.2	2335
50.00	35.0	300	10	ARM1X	5.00	2.14	77.2	2973
50.00	35.0	320	10	ARM1X	5.00	2.55	78.1	3580
51.67	33.9	380	10	RM3	5.17	5.54	78.4	8070
51.67	33.9	W420	10	RM3	5.17	5.61	78.9	8220
51.67	33.9	450	10	RM3	5.17	8.36	79.4	12330
51.67	33.9	520	10	RM3	5.17	10.29	80.4	15370
60.00	29.2	130	15	ARM1X	4.00	0.24	68.6	351
60.00	29.2	W150	15	ARM1X	4.00	0.40	64.6	552
60.00	29.2	180	15	ARM1X	4.00	0.47	71.4	730
60.00	29.2	210	15	ARM1X	4.00	0.70	73.5	1118
60.00	29.2	W240	15	ARM1X	4.00	1.11	73.7	1765
60.00	29.2	260	15	ARM1X	4.00	1.32	77.8	2222
60.00	29.2	300	15	ARM1X	4.00	2.02	74.6	3260
60.00	29.2	320	15	ARM1X	4.00	2.60	74.8	4200
60.68	28.8	380	15	RM3	4.05	4.72	74.6	7710
60.68	28.8	W420	15	RM3	4.05	5.48	76.0	9090
60.68	28.8	450	15	RM3	4.05	7.21	76.0	11960
60.68	28.8	520	15	RM3	4.05	7.49	77.4	12650
71.82	24.4	130	10	ARM1X	7.18	0.19	71.7	343
71.82	24.4	W150	10	ARM1X	7.18	0.33	68.1	574
71.82	24.4	180	10	ARM1X	7.18	0.35	75.0	677
71.82	24.4	210	10	ARM1X	7.18	0.56	75.6	1102
71.82	24.4	W240	10	ARM1X	7.18	0.90	75.7	1755
71.82	24.4	260	10	ARM1X	7.18	1.23	76.0	2420
71.82	24.4	300	10	ARM1X	7.18	1.58	76.0	3100
71.82	24.4	320	10	ARM1X	7.18	1.88	76.9	3740
75.38	23.2	380	10	RM3	7.54	4.05	76.6	8420
75.38	23.2	W420	10	RM3	7.54	4.14	77.6	8710
75.38	23.2	450	10	RM3	7.54	5.92	77.7	12480
77.51	23.2	520	15	RM3	5.17	8.90	76.5	18980
80.00	21.9	130	20	ARM1X	4.00	0.19	65.1	349
80.00	21.9	W150	20	ARM1X	4.00	0.32	60.1	561
80.00	21.9	180	20	ARM1X	4.00	0.35	69.1	704
80.00	21.9	210	20	ARM1X	4.00	0.57	70.0	1140

# Hub City Worm Gear Drives

## Double Reduction

### Helical-Worm Double Reduction Mechanical Ratings

RATINGS @ 1750 INPUT RPM, 1.00 SERVICE FACTOR

USE THIS CHART WHEN COUPLING A HELICAL RATIO MULTIPLIER WITH A SINGLE REDUCTION WORM SPEED REDUCER

TOTAL RATIO	OUTPUT RPM	WORM SERIES	WORM RATIO	HELICAL SIZE	HELICAL RATIO	INPUT HP	EFF. %	OUTPUT TORQUE
80.00	21.9	W240	20	ARM1X	4.00	0.89	70.2	1790
80.00	21.9	260	20	ARM1X	4.00	1.15	71.8	2370
80.00	21.9	300	20	ARM1X	4.00	1.75	71.4	3600
80.00	21.9	320	20	ARM1X	4.00	2.08	72.2	4330
80.90	21.6	380	20	RM3	4.05	3.77	72.0	7900
80.90	21.6	W420	20	RM3	4.05	4.63	73.3	9870
80.90	21.6	450	20	RM3	4.05	5.74	73.6	12300
80.90	21.6	520	20	RM3	4.05	7.85	75.4	17230
87.39	20.0	130	30	ARM1X	2.91	0.19	58.2	348
87.39	20.0	W150	30	ARM1X	2.91	0.32	53.3	539
87.39	20.0	180	30	ARM1X	2.91	0.37	62.2	721
87.39	20.0	210	30	ARM1X	2.91	0.54	65.5	1105
87.39	20.0	W240	30	ARM1X	2.91	0.84	65.6	1731
87.39	20.0	260	30	ARM1X	2.91	1.01	68.8	2190
87.39	20.0	300	30	ARM1X	2.91	1.72	67.6	3650
87.39	20.0	320	30	ARM1X	2.91	2.17	67.3	4590
87.39	20.0	380	30	ARM1X	2.91	3.37	65.8	6980
88.92	19.7	W420	30	RM3	2.96	4.42	69.1	9780
88.92	19.7	450	30	RM3	2.96	5.12	67.9	11120
88.92	19.7	520	30	RM3	2.96	7.16	70.0	16020
100.00	17.5	130	20	ARM1X	5.00	0.15	64.0	355
100.00	17.5	W150	20	ARM1X	5.00	0.27	58.8	575
100.00	17.5	180	20	ARM1X	5.00	0.29	68.2	717
100.00	17.5	210	20	ARM1X	5.00	0.47	69.1	1163
100.00	17.5	W240	20	ARM1X	5.00	0.74	69.3	1833
100.00	17.5	260	20	ARM1X	5.00	0.95	70.8	2428
100.00	17.5	300	20	ARM1X	5.00	1.47	70.3	3710
100.00	17.5	320	20	ARM1X	5.00	1.75	71.2	4470
100.00	17.5	380	20	ARM1X	5.00	3.10	70.9	7910
103.34	16.9	W420	20	RM3	5.17	3.83	72.3	10290
103.34	16.9	450	20	RM3	5.17	4.92	72.5	13270
103.34	16.9	520	20	RM3	5.17	6.80	74.4	18820
120.00	14.6	130	30	ARM1X	4.00	0.15	56.4	359
120.00	14.6	W150	30	ARM1X	4.00	0.26	51.0	564
120.00	14.6	180	30	ARM1X	4.00	0.35	53.6	806
120.00	14.6	210	30	ARM1X	4.00	0.42	63.7	1146
120.00	14.6	W240	30	ARM1X	4.00	0.66	63.7	1810
120.00	14.6	260	30	ARM1X	4.00	0.79	67.1	2280
120.00	14.6	300	30	ARM1X	4.00	1.36	65.8	3850
120.00	14.6	320	30	ARM1X	4.00	1.73	65.4	4880
120.00	14.6	380	30	ARM1X	4.00	2.82	63.4	7710
121.35	14.4	W420	30	RM3	4.05	3.62	67.1	10600
121.35	14.4	450	30	RM3	4.05	4.16	65.5	11900
121.35	14.4	520	30	RM3	4.05	5.82	67.7	17210
143.64	12.2	130	20	ARM1X	7.18	0.11	62.4	362
143.64	12.2	W150	20	ARM1X	7.18	0.20	56.6	594
143.64	12.2	180	20	ARM1X	7.18	0.21	66.6	733
143.64	12.2	210	20	ARM1X	7.18	0.34	67.5	1194
143.64	12.2	W240	20	ARM1X	7.18	0.54	67.6	1890
143.64	12.2	260	20	ARM1X	7.18	0.70	69.3	2505
143.64	12.2	300	20	ARM1X	7.18	1.09	68.6	3860
143.64	12.2	320	20	ARM1X	7.18	1.30	69.5	4660
143.64	12.2	380	20	ARM1X	7.18	2.15	68.5	7610

# Hub City Worm Gear Drives

## Double Reduction

### Helical-Worm Double Reduction Mechanical Ratings

RATINGS @ 1750 INPUT RPM, 1.00 SERVICE FACTOR

USE THIS CHART WHEN COUPLING A HELICAL RATIO MULTIPLIER WITH A SINGLE REDUCTION WORM SPEED REDUCER

TOTAL RATIO	OUTPUT RPM	WORM SERIES	WORM RATIO	HELICAL SIZE	HELICAL RATIO	INPUT HP	EFF. %	OUTPUT TORQUE
150.76	11.6	W420	20	RM3	7.54	2.84	70.5	10860
150.76	11.6	450	20	RM3	7.54	3.54	70.2	13460
150.76	11.6	520	20	RM3	7.54	4.95	72.2	19370
160.00	10.9	130	40	ARM1X	4.00	0.12	51.8	347
160.00	10.9	W150	40	ARM1X	4.00	0.21	45.6	557
160.00	10.9	180	40	ARM1X	4.00	0.21	57.1	700
160.00	10.9	210	40	ARM1X	4.00	0.34	58.4	1133
160.00	10.9	W240	40	ARM1X	4.00	0.53	58.7	1779
160.00	10.9	260	40	ARM1X	4.00	0.64	60.8	2357
160.00	10.9	300	40	ARM1X	4.00	1.11	60.2	3860
160.00	10.9	320	40	ARM1X	4.00	1.32	61.4	4650
160.00	10.9	380	40	ARM1X	4.00	2.28	59.6	7820
161.80	10.8	W420	40	RM3	4.05	2.91	63.0	10670
161.80	10.8	450	40	RM3	4.05	3.38	62.0	12200
161.80	10.8	520	40	RM3	4.05	4.51	64.5	16940
200.00	8.8	130	40	ARM1X	5.00	0.10	50.6	352
200.00	8.8	W150	40	ARM1X	5.00	0.18	44.1	571
200.00	8.8	180	40	ARM1X	5.00	0.18	55.9	712
200.00	8.8	210	40	ARM1X	5.00	0.28	57.1	1156
200.00	8.8	W240	40	ARM1X	5.00	0.44	57.3	1822
200.00	8.8	260	40	ARM1X	5.00	0.56	59.6	2414
200.00	8.8	300	40	ARM1X	5.00	0.94	58.8	3980
200.00	8.8	320	40	ARM1X	5.00	1.11	59.9	4800
200.00	8.8	380	40	ARM1X	5.00	1.89	58.1	7900
200.00	8.8	W420	40	ARM1X	5.00	2.51	61.5	11110
200.00	8.8	450	40	ARM1X	5.00	2.95	60.4	12820
206.68	8.5	520	40	RM3	5.17	3.95	63.1	18510
250.00	7.0	130	50	ARM1X	5.00	0.08	47.3	332
250.00	7.0	W150	50	ARM1X	5.00	0.15	39.8	553
250.00	7.0	180	50	ARM1X	5.00	0.14	52.5	670
250.00	7.0	210	50	ARM1X	5.00	0.22	54.3	1070
250.00	7.0	W240	50	ARM1X	5.00	0.36	53.5	1734
250.00	7.0	260	50	ARM1X	5.00	0.45	56.1	2280
250.00	7.0	300	50	ARM1X	5.00	0.77	54.9	3800
250.00	7.0	320	50	ARM1X	5.00	0.91	56.4	4600
250.00	7.0	380	50	ARM1X	5.00	1.24	54.2	6030
250.00	7.0	W420	50	ARM1X	5.00	2.02	58.1	10550
250.00	7.0	450	50	ARM1X	5.00	2.01	56.7	10260
250.00	7.0	520	50	ARM1X	5.00	2.81	59.1	14940
287.28	6.1	130	40	ARM1X	7.18	0.07	48.5	360
287.28	6.1	W150	40	ARM1X	7.18	0.14	41.8	589
287.28	6.1	180	40	ARM1X	7.18	0.13	53.9	728
287.28	6.1	210	40	ARM1X	7.18	0.21	55.1	1186
287.28	6.1	W240	40	ARM1X	7.18	0.33	55.2	1878
287.28	6.1	260	40	ARM1X	7.18	0.42	57.5	2490
287.28	6.1	300	40	ARM1X	7.18	0.71	56.5	4130
287.28	6.1	320	40	ARM1X	7.18	0.84	57.6	4990
287.28	6.1	380	40	ARM1X	7.18	1.33	55.0	7560
287.28	6.1	W420	40	ARM1X	7.18	1.92	59.0	11720
287.28	6.1	450	40	ARM1X	7.18	2.17	57.3	12820
287.28	6.1	520	40	ARM1X	7.18	2.92	60.1	18140

# Hub City Worm Gear Drives

## Double Reduction

### Helical-Worm Double Reduction Mechanical Ratings

RATINGS @ 1750 INPUT RPM, 1.00 SERVICE FACTOR

USE THIS CHART WHEN COUPLING A HELICAL RATIO MULTIPLIER WITH A SINGLE REDUCTION WORM SPEED REDUCER

TOTAL RATIO	OUTPUT RPM	WORM SERIES	WORM RATIO	HELICAL SIZE	HELICAL RATIO	INPUT HP	EFF. %	OUTPUT TORQUE
359.10	4.9	130	50	ARM1X	7.18	0.06	45.2	338
359.10	4.9	W150	50	ARM1X	7.18	0.12	37.5	570
359.10	4.9	180	50	ARM1X	7.18	0.10	50.5	684
359.10	4.9	210	50	ARM1X	7.18	0.16	52.3	1096
359.10	4.9	W240	50	ARM1X	7.18	0.27	51.3	1786
359.10	4.9	260	50	ARM1X	7.18	0.34	53.9	2350
359.10	4.9	300	50	ARM1X	7.18	0.58	52.5	3950
359.10	4.9	320	50	ARM1X	7.18	0.69	54.0	4780
359.10	4.9	380	50	ARM1X	7.18	0.87	51.1	5750
359.10	4.9	W420	50	ARM1X	7.18	1.55	55.5	11100
359.10	4.9	450	50	ARM1X	7.18	1.42	53.5	9780
359.10	4.9	520	50	ARM1X	7.18	1.98	56.1	14320
430.92	4.1	130	60	ARM1X	7.18	0.05	40.7	325
430.92	4.1	W150	60	ARM1X	7.18	0.10	34.0	540
430.92	4.1	180	60	ARM1X	7.18	0.09	46.6	649
430.92	4.1	210	60	ARM1X	7.18	0.15	46.5	1092
430.92	4.1	W240	60	ARM1X	7.18	0.21	49.9	1588
430.92	4.1	260	60	ARM1X	7.18	0.28	50.8	2184
430.92	4.1	300	60	ARM1X	7.18	0.50	48.5	3750
430.92	4.1	320	60	ARM1X	7.18	0.57	50.8	4460
430.92	4.1	380	60	ARM1X	7.18	0.87	51.1	6900
430.92	4.1	W420	60	ARM1X	7.18	1.27	52.4	10340
430.92	4.1	450	60	ARM1X	7.18	1.01	49.9	7780
430.92	4.1	520	60	ARM1X	7.18	1.39	52.9	11400

# Hub City Worm Gear Drives

## Double Reduction

### PowerCubeX® Catalog Ratings

#### 1300 Series • 130 Primary • 130 Secondary

SERIES	INPUT RPM	UNIT RATIO	OUTPUT RPM	PRIM. RATIO	SEC. RATIO	ALL	CONVENTIONAL OIL		PAO SYNTHETIC OIL		PAG SYNTHETIC OIL	
						INPUT HP	EFF. %	OUTPUT TORQUE	EFF. %	OUTPUT TORQUE	EFF. %	OUTPUT TORQUE
1300	1750	50	35.0	5	10	0.291	63.9	335	71.8	376	76.4	400
		75	23.3	5	15	0.223	59.2	357	66.6	401	70.8	426
		100	17.5	5	20	0.176	56.1	355	63.0	399	67.0	424
		150	11.7	10	15	0.125	54.5	369	61.3	415	65.2	441
		200	8.75	10	20	0.099	51.4	366	57.8	411	61.5	437
		250	7.00	10	25	0.090	46.7	377	52.5	424	55.8	450
		300	5.83	20	15	0.071	48.5	374	54.5	420	58.0	447
		400	4.38	20	20	0.057	45.6	371	51.2	417	54.4	443
		500	3.50	25	20	0.048	42.7	371	48.0	417	51.0	443
		600	2.92	20	30	0.047	38.1	383	42.8	430	45.5	458
		750	2.33	25	30	0.040	35.5	383	39.9	430	42.4	458
		900	1.94	30	30	0.035	33.6	383	37.8	430	40.2	458
		1000	1.75	50	20	0.030	34.6	371	38.9	417	41.3	443
		1200	1.46	40	30	0.029	30.4	383	34.2	430	36.3	458
		1500	1.17	50	30	0.025	28.4	383	31.9	430	33.9	458
		1800	0.97	60	30	0.023	26.0	383	29.2	430	31.0	458
		2000	0.88	50	40	0.020	25.5	369	28.7	415	30.5	441
		2400	0.73	60	40	0.018	23.4	369	26.2	415	27.9	441
3000	0.58	60	50	0.015	21.6	346	24.2	389	25.8	413		
3600	0.49	60	60	0.014	19.0	333	21.3	374	22.7	398		

#### 1500 Series • GW130 Primary • W150 Secondary

SERIES	INPUT RPM	UNIT RATIO	OUTPUT RPM	PRIM. RATIO	SEC. RATIO	ALL	CONVENTIONAL OIL		PAO SYNTHETIC OIL		PAG SYNTHETIC OIL	
						INPUT HP	EFF. %	OUTPUT TORQUE	EFF. %	OUTPUT TORQUE	EFF. %	OUTPUT TORQUE
1500	1750	50	35.0	5	10	0.484	61.1	533	68.7	599	73.0	637
		75	23.3	5	15	0.378	55.5	566	62.4	636	66.3	676
		100	17.5	5	20	0.310	51.5	575	57.9	646	61.5	687
		150	11.7	10	15	0.220	50.2	596	56.4	670	60.0	712
		200	8.75	10	20	0.181	46.2	604	51.9	679	55.2	722
		250	7.00	10	25	0.145	46.2	604	51.9	679	55.2	722
		300	5.83	20	15	0.128	44.1	609	49.5	684	52.6	728
		400	4.38	20	20	0.106	40.3	617	45.3	693	48.2	737
		500	3.50	25	20	0.091	37.5	617	42.2	693	44.8	737
		600	2.92	20	30	0.088	32.7	623	36.7	700	39.1	744
		750	2.33	25	30	0.076	30.4	623	34.1	700	36.3	744
		900	1.94	30	30	0.067	28.6	623	32.1	700	34.2	744
		1000	1.75	50	20	0.056	30.3	617	34.1	693	36.2	737
		1200	1.46	40	30	0.055	26.3	623	29.5	700	31.4	744
		1500	1.17	50	30	0.048	24.2	623	27.2	700	28.9	744
		1800	0.97	60	30	0.044	22.0	623	24.7	700	26.3	744
		2000	0.88	50	40	0.041	21.0	613	23.6	689	25.1	732
		2400	0.73	60	40	0.037	19.1	613	21.5	689	22.8	732
3000	0.58	60	50	0.033	16.9	592	18.9	665	20.1	707		
3600	0.49	60	60	0.029	15.1	560	16.9	629	18.0	669		

ADDITIONAL RATINGS FOR OTHER INPUT SPEEDS ARE AVAILABLE AT: [WWW.HUBCITYINC.COM](http://WWW.HUBCITYINC.COM)

\*OVERHUNG LOAD - LOW SPEED SHAFT — MODELS 1301 AND 1304 225 LBS. AT CENTER POINT OF SHAFT EXTENSION.

\*\*OVERHUNG LOAD - LOW SPEED SHAFT — MODELS 1501 AND 1504 860 LBS. AT CENTER POINT OF SHAFT EXTENSION. MODELS 1502 AND 1505 NOT APPLICABLE. THRUST± UP OR DOWN 790 LBS.

±OHL AND THRUST VALUES SHOWN ARE INDEPENDENT FUNCTIONS AND CANNOT BE APPLIED SIMULTANEOUSLY. REFER APPLICATIONS WITH COMBINED OHL AND THRUST TO HUB CITY CUSTOMER SERVICE DEPARTMENT.

OUTPUT TORQUE VALUES SHOWN ARE INCH-POUNDS (IN-LB).



# Hub City Worm Gear Drives

## Double Reduction PowerCubeX® Catalog Ratings

### 1800 Series • 130 Primary • 180 Secondary

SERIES	INPUT RPM	UNIT RATIO	OUTPUT RPM	PRIM. RATIO	SEC. RATIO	ALL	CONVENTIONAL OIL		PAO SYNTHETIC OIL		PAG SYNTHETIC OIL	
						INPUT HP	EFF. %	OUTPUT TORQUE	EFF. %	OUTPUT TORQUE	EFF. %	OUTPUT TORQUE
1800	1750	50	35.0	5	10	0.551	66.6	661	74.9	743	79.6	790
		75	23.3	5	15	0.446	61.8	744	69.4	836	73.8	889
		100	17.5	5	20	0.333	59.8	717	67.1	806	71.4	857
		150	11.7	10	15	0.251	57.1	775	64.1	871	68.2	926
		200	8.75	10	20	0.187	55.0	742	61.8	834	65.7	886
		250	7.00	10	25	0.152	52.7	721	59.3	810	63.0	861
		300	5.83	20	15	0.143	50.9	788	57.2	885	60.8	941
		400	4.38	20	20	0.107	49.0	754	55.0	847	58.5	901
		500	3.50	25	20	0.091	45.9	754	51.6	847	54.9	901
		600	2.92	20	30	0.091	41.1	806	46.1	906	49.1	963
		750	2.33	25	30	0.078	38.3	806	43.0	906	45.8	963
		900	1.94	30	30	0.068	36.3	806	40.8	906	43.4	963
		1000	1.75	50	20	0.056	37.5	754	42.1	847	44.8	901
		1200	1.46	40	30	0.056	33.1	806	37.2	906	39.5	963
		1500	1.17	50	30	0.048	30.9	806	34.7	906	36.9	963
		1800	0.97	60	30	0.044	28.3	806	31.8	906	33.8	963
		2000	0.88	50	40	0.036	28.8	748	32.4	840	34.4	894
2400	0.73	60	40	0.033	26.4	748	29.7	840	31.6	894		
3000	0.58	60	50	0.027	24.5	702	27.5	789	29.2	839		
3600	0.49	60	60	0.023	22.2	666	24.9	748	26.5	796		

### 2100 Series • 130 Primary • 210 Secondary

SERIES	INPUT RPM	UNIT RATIO	OUTPUT RPM	PRIM. RATIO	SEC. RATIO	ALL	CONVENTIONAL OIL		PAO SYNTHETIC OIL		PAG SYNTHETIC OIL	
						INPUT HP	EFF. %	OUTPUT TORQUE	EFF. %	OUTPUT TORQUE	EFF. %	OUTPUT TORQUE
2100	1750	50	35.0	5	10	0.89	67.2	1071	75.4	1203	80.2	1279
		75	23.3	5	15	0.66	63.8	1141	71.6	1282	76.2	1363
		100	17.5	5	20	0.53	60.5	1163	68.0	1307	72.3	1389
		150	11.7	10	15	0.37	59.1	1190	66.4	1337	70.6	1422
		200	8.75	10	20	0.30	55.7	1211	62.6	1361	66.5	1447
		250	7.00	10	25	0.238	53.9	1157	60.5	1300	64.4	1382
		300	5.83	20	15	0.212	52.9	1211	59.4	1361	63.2	1447
		400	4.38	20	20	0.173	49.5	1233	55.6	1385	59.2	1473
		500	3.50	25	20	0.147	46.4	1233	52.2	1385	55.5	1473
		600	2.92	20	30	0.130	43.9	1238	49.3	1391	52.5	1479
		750	2.33	25	30	0.112	41.0	1238	46.1	1391	49.0	1479
		900	1.94	30	30	0.098	38.9	1238	43.7	1391	46.5	1479
		1000	1.75	50	20	0.090	38.0	1233	42.8	1385	45.5	1473
		1200	1.46	40	30	0.081	35.6	1238	40.0	1391	42.5	1479
		1500	1.17	50	30	0.069	33.2	1238	37.3	1391	39.7	1479
		1800	0.97	60	30	0.063	30.5	1238	34.2	1391	36.4	1479
		2000	0.88	50	40	0.058	29.4	1224	33.1	1375	35.2	1462
2400	0.73	60	40	0.053	26.9	1224	30.3	1375	32.2	1462		
3000	0.58	60	50	0.041	25.4	1128	28.5	1267	30.3	1348		
3600	0.49	60	60	0.040	21.8	1127	24.5	1266	26.1	1346		

ADDITIONAL RATINGS FOR OTHER INPUT SPEEDS ARE AVAILABLE AT: [WWW.HUBCITYINC.COM](http://WWW.HUBCITYINC.COM)

MODELS 1801 AND 1804 550 LBS. AT CENTER POINT OF SHAFT EXTENSION. MODELS 1802, AND 1805 NOT APPLICABLE.  
THRUST‡ UP OR DOWN 600 LBS.

\*OVERHUNG LOAD - LOW SPEED SHAFT — MODELS 2101 AND 2104 550 LBS. AT CENTER POINT OF SHAFT EXTENSION.  
MODELS 2102 AND 2105 NOT APPLICABLE.

THRUST‡ UP OR DOWN 600 LBS.

‡OHL AND THRUST VALUES SHOWN ARE INDEPENDENT FUNCTIONS AND CANNOT BE APPLIED SIMULTANEOUSLY. REFER APPLICATIONS WITH COMBINED OHL AND THRUST TO HUB CITY CUSTOMER SERVICE DEPARTMENT.

OUTPUT TORQUE VALUES SHOWN ARE INCH-POUNDS (IN-LB).

# Hub City Worm Gear Drives

## Double Reduction

### PowerCubeX® Catalog Ratings

#### 2400 Series • GW130 Primary • W240 Secondary

SERIES	INPUT RPM	UNIT RATIO	OUTPUT RPM	PRIM. RATIO	SEC. RATIO	ALL	CONVENTIONAL OIL		PAO SYNTHETIC OIL		PAG SYNTHETIC OIL	
						INPUT HP	EFF. %	OUTPUT TORQUE	EFF. %	OUTPUT TORQUE	EFF. %	OUTPUT TORQUE
2400	1750	50	35.0	5	10	1.40	67.3	1698	75.6	1908	80.4	2029
		75	23.3	5	15	1.05	63.8	1809	71.7	2033	76.3	2161
		100	17.5	5	20	0.84	60.7	1833	68.2	2060	72.5	2190
		150	11.7	10	15	0.60	59.0	1901	66.3	2136	70.5	2271
		200	8.75	10	20	0.48	55.8	1923	62.7	2161	66.6	2297
		250	7.00	10	25	0.40	53.2	1892	59.8	2126	63.6	2260
		300	5.83	20	15	0.34	52.7	1942	59.2	2182	62.9	2320
		400	4.38	20	20	0.28	49.4	1964	55.6	2207	59.1	2346
		500	3.50	25	20	0.236	46.3	1964	52.0	2207	55.3	2346
		600	2.92	20	30	0.211	43.5	1986	48.9	2231	52.0	2373
		750	2.33	25	30	0.181	40.6	1986	45.7	2231	48.5	2373
		900	1.94	30	30	0.159	38.5	1986	43.3	2231	46.0	2373
		1000	1.75	50	20	0.144	38.0	1964	42.7	2207	45.4	2346
		1200	1.46	40	30	0.129	35.6	1986	40.0	2231	42.5	2373
		1500	1.17	50	30	0.111	33.0	1986	37.1	2231	39.4	2373
		1800	0.97	60	30	0.101	30.2	1986	33.9	2231	36.1	2373
		2000	0.88	50	40	0.092	29.4	1950	33.0	2191	35.1	2330
		2400	0.73	60	40	0.084	26.8	1950	30.1	2191	32.0	2330
3000	0.58	60	50	0.070	24.5	1851	27.6	2080	29.3	2211		
3600	0.49	60	60	0.053	23.9	1640	26.8	1843	28.5	1959		

#### 2600 Series • 130 Primary • 260 Secondary

SERIES	INPUT RPM	UNIT RATIO	OUTPUT RPM	PRIM. RATIO	SEC. RATIO	ALL	CONVENTIONAL OIL		PAO SYNTHETIC OIL		PAG SYNTHETIC OIL	
						INPUT HP	EFF. %	OUTPUT TORQUE	EFF. %	OUTPUT TORQUE	EFF. %	OUTPUT TORQUE
2600	1750	50	35.0	5	10	1.38	67.7	1681	76.0	1889	80.8	2009
		75	23.3	5	15	1.28	65.7	2273	73.8	2554	78.5	2715
		100	17.5	5	20	1.09	62.1	2428	69.7	2728	74.1	2901
		150	11.7	10	15	0.72	61.1	2381	68.7	2675	73.0	2844
		200	8.75	10	20	0.62	57.1	2550	64.2	2865	68.3	3046
		250	7.00	10	25	0.50	54.9	2488	61.7	2796	65.6	2972
		300	5.83	20	15	0.41	54.8	2429	61.5	2729	65.4	2902
		400	4.38	20	20	0.36	50.9	2604	57.2	2926	60.8	3111
		500	3.50	25	20	0.30	47.6	2604	53.5	2926	56.9	3111
		600	2.92	20	30	0.25	46.8	2485	52.5	2792	55.8	2969
		750	2.33	25	30	0.210	43.7	2485	49.1	2792	52.2	2969
		900	1.94	30	30	0.185	41.5	2485	46.6	2792	49.6	2969
		1000	1.75	50	20	0.184	39.2	2604	44.0	2926	46.8	3111
		1200	1.46	40	30	0.150	38.4	2485	43.2	2792	45.9	2969
		1500	1.17	50	30	0.129	35.6	2485	40.0	2792	42.6	2969
		1800	0.97	60	30	0.117	32.7	2485	36.7	2792	39.1	2969
		2000	0.88	50	40	0.116	30.9	2585	34.7	2905	36.9	3088
		2400	0.73	60	40	0.106	28.2	2585	31.7	2905	33.7	3088
3000	0.58	60	50	0.086	26.1	2435	29.3	2736	31.2	2909		
3600	0.49	60	60	0.072	24.3	2261	27.3	2540	29.0	2701		

ADDITIONAL RATINGS FOR OTHER INPUT SPEEDS ARE AVAILABLE AT: [WWW.HUBCITYINC.COM](http://WWW.HUBCITYINC.COM)

\*\*OVERHUNG LOAD - LOW SPEED SHAFT — MODELS 2401 AND 2404 1400 LBS. AT CENTER POINT OF SHAFT EXTENSION. MODELS 2402 AND 2405 NOT APPLICABLE. THRUST± UP OR DOWN 1450 LBS.

MODELS 2601 AND 2604 1150 LBS. AT CENTER POINT OF SHAFT EXTENSION. MODELS 2602 AND 2605 NOT APPLICABLE. THRUST± UP OR DOWN 1000 LBS.

±OHL AND THRUST VALUES SHOWN ARE INDEPENDENT FUNCTIONS AND CANNOT BE APPLIED SIMULTANEOUSLY. REFER APPLICATIONS WITH COMBINED OHL AND THRUST TO HUB CITY CUSTOMER SERVICE DEPARTMENT.

OUTPUT TORQUE VALUES SHOWN ARE INCH-POUNDS (IN-LB).

# Hub City Worm Gear Drives

## Double Reduction PowerCubeX® Catalog Ratings

### 3000 Series • GW180 Primary • 300 Secondary

SERIES	INPUT RPM	UNIT RATIO	OUTPUT RPM	PRIM. RATIO	SEC. RATIO	ALL	CONVENTIONAL OIL		PAO SYNTHETIC OIL		PAG SYNTHETIC OIL	
						INPUT HP	EFF. %	OUTPUT TORQUE	EFF. %	OUTPUT TORQUE	EFF. %	OUTPUT TORQUE
3000	1750	50	35.0	5	10	2.42	68.4	2973	76.8	3340	81.7	3552
		75	23.3	5	15	1.90	65.3	3357	73.4	3772	78.0	4010
		100	17.5	5	20	1.66	62.3	3711	70.0	4170	74.4	4433
		150	11.7	10	15	1.08	61.4	3566	68.9	4007	73.3	4260
		200	8.75	10	20	0.94	58.0	3944	65.2	4431	69.3	4712
		250	7.00	10	25	0.81	55.3	4047	62.2	4547	66.1	4835
		300	5.83	20	15	0.61	55.5	3659	62.3	4111	66.3	4371
		400	4.38	20	20	0.54	52.1	4049	58.5	4549	62.2	4837
		500	3.50	25	20	0.45	50.2	4049	56.4	4549	60.0	4837
		600	2.92	20	30	0.43	46.8	4313	52.6	4846	55.9	5153
		750	2.33	25	30	0.35	45.0	4313	50.6	4846	53.7	5153
		900	1.94	30	30	0.32	41.8	4313	47.0	4846	50.0	5153
		1000	1.75	50	20	0.27	42.0	4049	47.2	4549	50.2	4837
		1200	1.46	40	30	0.25	39.5	4313	44.4	4846	47.2	5153
		1500	1.17	50	30	0.214	37.3	4313	42.0	4846	44.6	5153
		1800	0.97	60	30	0.192	34.6	4313	38.9	4846	41.3	5153
		2000	0.88	50	40	0.184	32.8	4334	36.8	4870	39.1	5178
2400	0.73	60	40	0.166	30.3	4334	34.0	4870	36.2	5178		
3000	0.58	60	50	0.139	27.6	4134	31.0	4645	33.0	4939		
3600	0.49	60	60	0.121	25.1	3924	28.2	4409	29.9	4688		

### 3200 Series • 210 Primary • 320 Secondary

SERIES	INPUT RPM	UNIT RATIO	OUTPUT RPM	PRIM. RATIO	SEC. RATIO	ALL	CONVENTIONAL OIL		PAO SYNTHETIC OIL		PAG SYNTHETIC OIL	
						INPUT HP	EFF. %	OUTPUT TORQUE	EFF. %	OUTPUT TORQUE	EFF. %	OUTPUT TORQUE
3200	1750	50	35.0	5	10	2.86	69.5	3582	78.1	4025	83.0	4279
		75	23.3	5	15	2.45	65.8	4343	73.9	4880	78.6	5188
		100	17.5	5	20	1.96	63.3	4472	71.2	5025	75.7	5342
		150	11.7	10	15	1.39	61.8	4654	69.4	5229	73.8	5560
		200	8.75	10	20	1.12	59.2	4766	66.5	5355	70.7	5694
		250	7.00	10	25	0.94	56.8	4833	63.9	5430	67.9	5774
		300	5.83	20	15	0.79	56.1	4794	63.0	5387	67.0	5727
		400	4.38	20	20	0.63	53.6	4898	60.2	5503	64.0	5851
		500	3.50	25	20	0.53	51.8	4898	58.2	5503	61.9	5851
		600	2.92	20	30	0.55	46.6	5560	52.4	6247	55.7	6642
		750	2.33	25	30	0.46	44.9	5560	50.5	6247	53.7	6642
		900	1.94	30	30	0.40	42.6	5560	47.9	6247	50.9	6642
		1000	1.75	50	20	0.31	43.9	4898	49.3	5503	52.4	5851
		1200	1.46	40	30	0.33	39.5	5560	44.4	6247	47.2	6642
		1500	1.17	50	30	0.27	37.6	5560	42.2	6247	44.9	6642
		1800	0.97	60	30	0.25	34.6	5560	38.9	6247	41.4	6642
		2000	0.88	50	40	0.211	34.5	5247	38.8	5896	41.2	6268
2400	0.73	60	40	0.193	31.4	5247	35.3	5896	37.5	6268		
3000	0.58	60	50	0.160	28.9	5008	32.5	5627	34.6	5983		
3600	0.49	60	60	0.134	26.9	4665	30.2	5242	32.1	5573		

ADDITIONAL RATINGS FOR OTHER INPUT SPEEDS ARE AVAILABLE AT: [WWW.HUBCITYINC.COM](http://WWW.HUBCITYINC.COM)

\*\*OVERHUNG LOAD - LOW SPEED SHAFT — MODELS 3001 AND 3004 1,150 LBS. AT CENTER POINT OF SHAFT EXTENSION. MODELS 3002 AND 3005 NOT APPLICABLE. THRUST‡ UP OR DOWN 1,725 LBS.

MODELS 3201 AND 3204 1,100 LBS. AT CENTER POINT OF SHAFT EXTENSION. MODELS 3202 AND 3205 NOT APPLICABLE.

MODELS 3207 AND 3208 — OHL\* 1,280 LBS., TO\* THRUST OUT 1,700 LBS. AND TI‡ THRUST IN 1,210 LBS. THRUST‡ UP OR DOWN 1,200 LBS.

‡OHL AND THRUST VALUES SHOWN ARE INDEPENDENT FUNCTIONS AND CANNOT BE APPLIED SIMULTANEOUSLY. REFER APPLICATIONS WITH COMBINED OHL AND THRUST TO HUB CITY CUSTOMER SERVICE DEPARTMENT.

OUTPUT TORQUE VALUES SHOWN ARE INCH-POUNDS (IN-LB).

# Hub City Worm Gear Drives

## Double Reduction

### PowerCubeX® Catalog Ratings

#### 3800 Series • 210 Primary • 380 Secondary

SERIES	INPUT RPM	UNIT RATIO	OUTPUT RPM	PRIM. RATIO	SEC. RATIO	ALL	CONVENTIONAL OIL		PAO SYNTHETIC OIL		PAG SYNTHETIC OIL	
						INPUT HP	EFF. %	OUTPUT TORQUE	EFF. %	OUTPUT TORQUE	EFF. %	OUTPUT TORQUE
3800	1750	50	35.0	5	10	3.89	69.0	4836	77.6	5434	82.5	5777
		75	23.3	5	15	3.89	65.0	6828	73.0	7672	77.6	8157
		100	17.5	5	20	3.29	65.9	7805	74.1	8770	78.8	9324
		150	11.7	10	15	2.50	60.2	8131	67.6	9136	71.9	9713
		200	8.75	10	20	1.90	57.6	7883	64.7	8857	68.8	9417
		250	7.00	5	50	1.42	47.8	5866	53.7	6591	57.1	7008
		300	5.83	20	15	1.47	54.2	8607	60.9	9671	64.7	10283
		400	4.38	20	20	1.34	51.5	7883	57.9	8857	61.5	9417
		500	3.50	25	20	1.06	49.1	7883	55.2	8857	58.6	9417
		600	2.92	20	30	0.66	43.1	9913	48.5	11138	51.5	11843
		750	2.33	25	30	0.90	40.7	9913	45.8	11138	48.7	11843
		900	1.94	30	30	1.06	38.1	9913	42.9	11138	45.6	11843
		1000	1.75	50	20	0.66	40.6	7883	45.6	8857	48.5	9417
		1200	1.46	40	30	0.90	35.0	9913	39.3	11138	41.8	11843
		1500	1.17	50	30	0.80	33.0	9913	37.1	11138	39.4	11843
		1800	0.97	60	30	0.54	29.6	9913	33.3	11138	35.4	11843
		2000	0.88	50	40	0.59	30.2	7998	34.0	8987	36.1	9555
		2400	0.73	60	40	0.66	27.0	7998	30.4	8987	32.3	9555
3000	0.58	60	50	0.230	24.5	6106	27.6	6861	29.3	7295		
3600	0.49	60	60	0.169	22.4	4921	25.2	5529	26.8	5879		

#### 4200 Series • GW210 Primary • W420 Secondary

SERIES	INPUT RPM	UNIT RATIO	OUTPUT RPM	PRIM. RATIO	SEC. RATIO	ALL	CONVENTIONAL OIL		PAO SYNTHETIC OIL		PAG SYNTHETIC OIL	
						INPUT HP	EFF. %	OUTPUT TORQUE	EFF. %	OUTPUT TORQUE	EFF. %	OUTPUT TORQUE
4200	1750	50	35.0	5	10	3.89	70.2	4915	78.8	5522	83.8	5871
		75	23.3	5	15	3.89	66.8	7018	75.1	7886	79.8	8385
		100	17.5	5	20	3.89	64.3	9007	72.2	10121	76.8	10760
		150	11.7	10	15	2.50	62.7	8472	70.5	9519	74.9	10121
		200	8.75	10	20	2.50	60.0	10811	67.5	12147	71.7	12915
		250	7.00	5	50	2.27	51.7	10553	58.1	11857	61.8	12607
		300	5.83	20	15	2.18	56.9	9034	63.9	10150	68.0	10792
		400	4.38	20	20	1.19	54.1	11608	60.8	13043	64.6	13867
		500	3.50	25	20	1.47	52.3	11214	58.8	12600	62.5	13397
		600	2.92	20	30	1.88	47.6	12545	53.4	14096	56.8	14987
		750	2.33	25	30	1.01	45.8	12545	51.4	14096	54.7	14987
		900	1.94	30	30	0.66	43.4	12545	48.8	14096	51.9	14987
		1000	1.75	50	20	1.19	44.1	10494	49.6	11791	52.7	12537
		1200	1.46	40	30	1.22	40.2	12545	45.2	14096	48.0	14987
		1500	1.17	50	30	0.66	38.2	12545	42.9	14096	45.6	14987
		1800	0.97	60	30	1.01	35.1	12545	39.5	14096	42.0	14987
		2000	0.88	50	40	0.89	34.9	12512	39.2	14058	41.6	14947
		2400	0.73	60	40	0.66	32.1	12512	36.0	14058	38.3	14947
3000	0.58	60	50	0.83	29.7	11808	33.4	13267	35.5	14106		
3600	0.49	60	60	0.72	27.7	10972	31.2	12328	33.1	13108		

ADDITIONAL RATINGS FOR OTHER INPUT SPEEDS ARE AVAILABLE AT: [WWW.HUBCITYINC.COM](http://WWW.HUBCITYINC.COM)

\*OVERHUNG LOAD - LOW SPEED SHAFT — MODELS 3801 AND 3804 1,600 LBS. AT CENTER POINT OF SHAFT EXTENSION. MODELS 3802 AND 3805 NOT APPLICABLE.

MODELS 3807 AND 3808 — OHL± 1,970 LBS., TO± THRUST OUT 1,950 LBS. AND TI± THRUST IN 1,500 LBS. THRUST± UP OR DOWN 1,500 LBS.

\*\*OVERHUNG LOAD - LOW SPEED SHAFT — MODELS 4201 AND 4204 1,400 LBS. AT CENTER POINT OF SHAFT EXTENSION. MODELS 4202 AND 4205 NOT APPLICABLE. THRUST± UP OR DOWN 1,450 LBS.

±OHL AND THRUST VALUES SHOWN ARE INDEPENDENT FUNCTIONS AND CANNOT BE APPLIED SIMULTANEOUSLY. REFER APPLICATIONS WITH COMBINED OHL AND THRUST TO HUB CITY CUSTOMER SERVICE DEPARTMENT.

OUTPUT TORQUE VALUES SHOWN ARE INCH-POUNDS (IN-LB).

# Hub City Worm Gear Drives

## Double Reduction PowerCubeX® Catalog Ratings

### 4500 Series • 320 Primary • 450 Secondary

SERIES	INPUT RPM	UNIT RATIO	OUTPUT RPM	PRIM. RATIO	SEC. RATIO	ALL	CONVENTIONAL OIL		PAO SYNTHETIC OIL		PAG SYNTHETIC OIL	
						INPUT HP	EFF. %	OUTPUT TORQUE	EFF. %	OUTPUT TORQUE	EFF. %	OUTPUT TORQUE
4500	1750	50	35.0	5	10	9.45	71.1	12090	79.8	13580	84.9	14440
		75	23.3	5	15	7.13	67.0	12920	75.3	14520	80.1	15430
		100	17.5	5	20	5.58	64.8	13010	72.8	14620	77.4	15540
		150	11.7	10	15	4.28	62.4	14440	70.1	16220	74.6	17250
		200	8.75	10	20	3.08	60.0	13300	67.4	14940	71.7	15890
		250	7.00	5	50	2.26	50.6	10320	56.9	11600	60.5	12330
		300	5.83	20	15	2.46	56.9	15130	64.0	17000	68.0	18080
		400	4.38	20	20	1.69	54.5	13300	61.2	14940	65.1	15890
		500	3.50	25	20	1.42	51.9	13300	58.3	14940	62.0	15890
		600	2.92	20	30	1.56	46.0	15480	51.6	17390	54.9	18490
		750	2.33	25	30	1.32	43.4	15480	48.8	17390	51.9	18490
		900	1.94	30	30	1.17	40.7	15480	45.8	17390	48.6	18490
		1000	1.75	50	20	0.84	43.9	13300	49.3	14940	52.4	15890
		1200	1.46	40	30	0.94	38.0	15480	42.7	17390	45.4	18490
		1500	1.17	50	30	0.80	36.0	15480	40.4	17390	43.0	18490
		1800	0.97	60	30	0.71	33.4	15480	37.6	17390	39.9	18490
		2000	0.88	50	40	0.57	33.1	13540	37.2	15210	39.6	16180
2400	0.73	60	40	0.51	30.7	13540	34.5	15210	36.7	15180		
3000	0.58	60	50	0.34	28.1	10320	31.5	11600	33.5	12330		
3600	0.49	60	60	0.25	25.6	8280	28.8	9310	30.6	9900		

### 5200 Series • 320 Primary • 520 Secondary

SERIES	INPUT RPM	UNIT RATIO	OUTPUT RPM	PRIM. RATIO	SEC. RATIO	ALL	CONVENTIONAL OIL		PAO SYNTHETIC OIL		PAG SYNTHETIC OIL	
						INPUT HP	EFF. %	OUTPUT TORQUE	EFF. %	OUTPUT TORQUE	EFF. %	OUTPUT TORQUE
5200	1750	50	35.0	5	10	9.65	71.9	12500	80.8	14050	85.9	14930
		75	23.3	5	15	9.65	68.4	17840	76.9	20050	81.8	21300
		100	17.5	5	20	7.73	66.5	18530	74.7	20820	79.5	22140
		150	11.7	10	15	6.09	64.1	21080	72.1	23690	76.6	25180
		200	8.75	10	20	4.35	61.9	19380	69.6	21780	74.0	23150
		250	7.00	5	50	3.18	53.1	15180	59.6	17060	63.4	18140
		300	5.83	20	15	3.50	58.5	22150	65.8	24880	69.9	26460
		400	4.38	20	20	2.41	56.4	19580	63.3	22000	67.3	23390
		500	3.50	25	20	2.02	53.9	19580	60.6	22000	64.4	23390
		600	2.92	20	30	2.18	48.2	22670	54.1	25470	57.5	27080
		750	2.33	25	30	1.84	45.6	22670	51.2	25470	54.4	27080
		900	1.94	30	30	1.63	42.9	22670	48.2	25470	51.2	27080
		1000	1.75	50	20	1.19	45.7	19580	51.3	22000	54.6	23390
		1200	1.46	40	30	1.31	40.1	22670	45.1	25470	47.9	27080
		1500	1.17	50	30	1.11	37.9	22670	42.5	25470	45.2	27080
		1800	0.97	60	30	0.99	35.3	22670	39.7	25470	42.2	27080
		2000	0.88	50	40	0.79	35.2	20050	39.5	22530	42.0	23950
2400	0.73	60	40	0.71	32.7	20050	36.7	22530	39.0	23950		
3000	0.58	60	50	0.47	30.0	15180	33.7	17060	35.9	18140		
3600	0.49	60	60	0.34	27.8	12120	31.2	13620	33.2	14480		

ADDITIONAL RATINGS FOR OTHER INPUT SPEEDS ARE AVAILABLE AT: [WWW.HUBCITYINC.COM](http://WWW.HUBCITYINC.COM)

\*OVERHUNG LOAD - LOW SPEED SHAFT — MODELS 4501 AND 4504 2,200 LBS. AT CENTER POINT OF SHAFT EXTENSION. MODELS 4502, 4503, 4505, AND 4506

NOT APPLICABLE. MODELS 4507 AND 4508 — OHL± 2,370 LBS., TO± THRUST OUT 3,330 LBS. AND TI± THRUST IN 3,140 LBS. MODELS 4509 AND 4510 2,000 LBS. AT CENTER POINT OF SHAFT EXTENSION. THRUST± UP OR DOWN 2,500 LBS.

OVERHUNG LOAD - LOW SPEED SHAFT — MODELS 5201 AND 5204 2,600 LBS. AT CENTER POINT OF SHAFT EXTENSION.

MODELS 5202, 5203, 5205, AND 5206 NOT APPLICABLE.

MODELS 5207 AND 5208 — OHL± 3,550 LBS., TO± THRUST OUT 4,530 LBS. AND TI± THRUST IN 3,360 LBS.

MODELS 5209 AND 5210 2,300 LBS. AT CENTER POINT OF SHAFT EXTENSION. THRUST± UP OR DOWN 3,000 LBS..

±OHL AND THRUST VALUES SHOWN ARE INDEPENDENT FUNCTIONS AND CANNOT BE APPLIED SIMULTANEOUSLY. REFER APPLICATIONS WITH COMBINED OHL AND THRUST TO HUB CITY CUSTOMER SERVICE DEPARTMENT.

OUTPUT TORQUE VALUES SHOWN ARE INCH-POUNDS (IN-LB).

EMAIL: [hubsales@regalbeloit.com](mailto:hubsales@regalbeloit.com) • [www.hubcityinc.com](http://www.hubcityinc.com)



# Hub City Worm Gear Drives

## Double Reduction

## GW Series Catalog Ratings

### Series GW60D & GW70D

SERIES	INPUT RPM	RATIO	OUTPUT RPM	MECH. INPUT HP	CONVENTIONAL OIL		PAO SYNTHETIC OIL		PAG SYNTHETIC OIL	
					EFF. %	MECH. OUTPUT TORQUE	EFF. %	MECH. OUTPUT TORQUE	EFF. %	MECH. OUTPUT TORQUE
GW60D	1750	75	23.1	9.10	78.4	19271	80.4	19753	81.9	20138
		100	16.5	8.67	68.6	21417	70.3	21952	71.7	22381
		150	11.4	5.95	73.3	23471	75.1	24058	76.6	24527
		200	8.54	4.95	69.0	24607	70.7	25222	72.1	25714
		250	7.14	4.25	64.9	24841	66.5	25462	67.8	25959
		300	5.69	3.61	65.9	25821	67.5	26467	68.8	26983
		400	4.27	3.01	61.4	26473	63.0	27135	64.2	27664
		500	3.41	2.52	59.3	26872	60.8	27544	62.0	28081
		600	2.85	2.24	55.7	27151	57.1	27830	58.2	28373
		750	2.38	1.93	51.8	27386	53.1	28071	54.1	28618
		900	1.98	1.62	51.0	27434	52.3	28120	53.3	28669
		1000	1.75	1.61	49.2	27737	50.4	28430	51.4	28985
		1200	1.42	1.40	47.0	27683	48.1	28375	49.1	28929
		1500	1.19	1.24	43.1	28088	44.2	28790	45.1	29352
		1800	0.99	1.00	40.1	25273	41.1	25905	41.9	26410
		2400	0.73	0.84	36.9	27893	37.9	28590	38.6	29148
3000	0.58	0.75	34.0	26792	34.9	27462	35.5	27998		
3600	0.49	0.65	28.0	23067	28.7	23644	29.3	24105		
GW70D	1750	75	23.1	9.13	82.7	20601	84.8	21116	86.4	21528
		100	16.5	9.13	79.1	27535	81.1	28223	82.6	28774
		150	11.4	7.25	76.3	30621	78.2	31387	79.7	31999
		200	8.54	5.81	74.4	31857	76.2	32653	77.7	33291
		250	7.14	4.90	72.2	31238	74.1	32019	75.5	32644
		300	5.69	4.27	70.0	33136	71.8	33964	73.2	34627
		400	4.27	3.41	67.2	33805	68.8	34650	70.2	35326
		500	3.41	2.86	64.7	34209	66.3	35064	67.6	35748
		600	2.85	2.53	61.7	34477	63.2	35339	64.4	36028
		750	2.38	2.13	59.6	33682	61.1	34524	62.3	35198
		900	1.98	1.73	58.4	32016	59.8	32816	61.0	33457
		1000	1.75	1.73	54.9	35031	56.2	35907	57.3	36607
		1200	1.42	1.52	52.2	35168	53.5	36047	54.6	36751
		1500	1.19	1.28	50.6	34325	51.9	35183	52.9	35870
		1800	0.99	1.04	49.1	32580	50.4	33395	51.3	34046
		2400	0.73	0.90	43.3	33661	44.4	34503	45.2	35176
3000	0.58	0.76	39.7	32512	40.7	33325	41.5	33975		
3600	0.49	0.60	37.8	29307	38.7	30040	39.5	30626		

NOTE: ALL TORQUE VALUES LISTED IN INCH-POUNDS, ALL OVERHUNG LOAD VALUES LISTED IN POUNDS. THE POINT OF APPLICATION OF THE OVERHUNG LOAD IS CONSIDERED TO BE ONE SHAFT DIAMETER MEASURED OUTWARD FROM THE GEAR CASE HOUSING. AT SPEEDS ABOVE 1750 RPM, UNITS MAY BECOME THERMALLY LIMITED. FOR EXTENDED OPERATION, LIMIT INPUT HP TO 1750 RPM CATALOG RATING.

THRUST AND OVERHUNG LOAD RATINGS (LBS.)	GW60D	GW70D
Thrust Load Ratings (Low Speed Shaft, All Ratios)	3990	4009
Overhung Load Capacity* (High Speed Shaft, All Ratios)	150	150
Overhung Load Capacity* (Low Speed Shaft, All Ratios)	3723	6209
Overhung Load Capacity** (Extended Brg Design Output Shaft, All Ratios)	2245	3791

ADDITIONAL RATINGS FOR OTHER INPUT SPEEDS ARE AVAILABLE AT: [WWW.HUBCITYINC.COM](http://WWW.HUBCITYINC.COM)

\* OHL AND THRUST VALUES SHOWN ARE INDEPENDENT FUNCTIONS AND CANNOT BE APPLIED SIMULTANEOUSLY. REFER APPLICATIONS WITH COMBINED OHL AND THRUST TO HUB CITY CUSTOMER SERVICE DEPARTMENT.

\* THE POINT OF APPLICATION OF THE OVERHUNG LOAD IS CONSIDERED TO BE ONE SHAFT DIAMETER MEASURED OUTWARD FROM THE GEARCASE HOUSING.

\*\*LOAD LOCATED AT END OF OUTPUT SHAFT.

OUTPUT TORQUE VALUES SHOWN ARE INCH-POUNDS (IN-LB).

# Hub City Worm Gear Drives

## Double Reduction GW Series Catalog Ratings

### Series GW80D & GW100D

SERIES	INPUT RPM	RATIO	OUTPUT RPM	MECH. INPUT HP	CONVENTIONAL OIL		PAO SYNTHETIC OIL		PAG SYNTHETIC OIL	
					EFF. %	MECH. OUTPUT TORQUE	EFF. %	MECH. OUTPUT TORQUE	EFF. %	MECH. OUTPUT TORQUE
GW80D	1750	75	23.1	15.50	83.9	35507	86.0	36395	87.6	37105
		100	16.5	12.60	80.2	38575	82.2	39539	83.8	40311
		150	11.4	9.82	77.6	42212	79.5	43267	81.1	44112
		200	8.54	7.92	75.5	44158	77.4	45262	78.9	46145
		250	7.14	6.61	73.8	43010	75.7	44085	77.1	44945
		300	5.69	5.82	71.6	46181	73.4	47336	74.9	48259
		400	4.27	4.65	68.8	47245	70.5	48426	71.9	49371
		500	3.41	3.88	67.0	45835	68.7	46981	70.0	47898
		600	2.85	3.43	63.6	48316	65.1	49524	66.4	50490
		750	2.38	2.87	61.7	46812	63.2	47982	64.4	48919
		900	1.98	2.50	58.8	46627	60.3	47793	61.4	48725
		1000	1.75	2.34	56.8	49201	58.3	50431	59.4	51415
		1200	1.42	2.05	54.6	49420	56.0	50656	57.1	51644
		1500	1.19	1.71	52.8	47819	54.1	49014	55.2	49971
		1800	0.99	1.29	52.2	42944	53.6	44018	54.6	44876
		2400	0.73	1.20	45.3	46987	46.5	48162	47.4	49101
3000	0.58	1.02	41.5	45708	42.5	46851	43.3	47765		
3600	0.49	0.80	39.6	41112	40.6	42140	41.4	42962		
GW100D	1750	75	23.1	26.5	84.9	61010	87.0	62535	88.7	63755
		100	16.5	20.8	81.7	64363	83.8	65972	85.4	67259
		150	11.4	16.5	78.8	72069	80.8	73871	82.3	75312
		200	8.54	13.5	76.3	76261	78.2	78168	79.7	79693
		250	7.14	11.3	74.8	74571	76.6	76435	78.1	77927
		300	5.69	10.1	72.2	80671	74.0	82688	75.4	84301
		400	4.27	8.12	69.2	83011	70.9	85086	72.3	86746
		500	3.41	6.89	66.3	84431	68.0	86542	69.3	88230
		600	2.85	6.03	64.0	85377	65.6	87511	66.9	89219
		750	2.38	5.04	62.1	82964	63.7	85038	64.9	86697
		900	1.98	4.13	60.3	79353	61.8	81337	63.0	82924
		1000	1.75	4.21	56.3	87344	57.7	89528	58.8	91274
		1200	1.42	3.73	53.1	87832	54.4	90028	55.5	91784
		1500	1.19	3.13	51.4	85216	52.7	87346	53.8	89051
		1800	0.99	2.56	50.0	81353	51.3	83387	52.3	85014
		2400	0.73	2.17	44.4	83314	45.5	85397	46.4	87063
3000	0.58	1.83	42.6	80836	43.7	82857	44.5	84474		
3600	0.49	1.46	38.7	73284	39.7	75116	40.4	76582		

NOTE: ALL TORQUE VALUES LISTED IN INCH-POUNDS, ALL OVERHUNG LOAD VALUES LISTED IN POUNDS. THE POINT OF APPLICATION OF THE OVERHUNG LOAD IS CONSIDERED TO BE ONE SHAFT DIAMETER MEASURED OUTWARD FROM THE GEAR CASE HOUSING. AT SPEEDS ABOVE 1750 RPM, UNITS MAY BECOME THERMALLY LIMITED. FOR EXTENDED OPERATION, LIMIT INPUT HP TO 1750 RPM CATALOG RATING.

THRUST AND OVERHUNG LOAD RATINGS (LBS.)	GW80D	GW100D
Thrust Load Ratings (Low Speed Shaft, All Ratios)	4777	6808
Overhung Load Capacity* (High Speed Shaft, All Ratios)	175	300
Overhung Load Capacity* (Low Speed Shaft, All Ratios)	7761	11028
Overhung Load Capacity** (Extended Brg Design Output Shaft, All Ratios)	4850	8500

ADDITIONAL RATINGS FOR OTHER INPUT SPEEDS ARE AVAILABLE AT: [WWW.HUBCITYINC.COM](http://WWW.HUBCITYINC.COM)

\*OHL AND THRUST VALUES SHOWN ARE INDEPENDENT FUNCTIONS AND CANNOT BE APPLIED SIMULTANEOUSLY. REFER APPLICATIONS WITH COMBINED OHL AND THRUST TO HUB CITY CUSTOMER SERVICE DEPARTMENT.

\*THE POINT OF APPLICATION OF THE OVERHUNG LOAD IS CONSIDERED TO BE ONE SHAFT DIAMETER MEASURED OUTWARD FROM THE GEARCASE HOUSING.

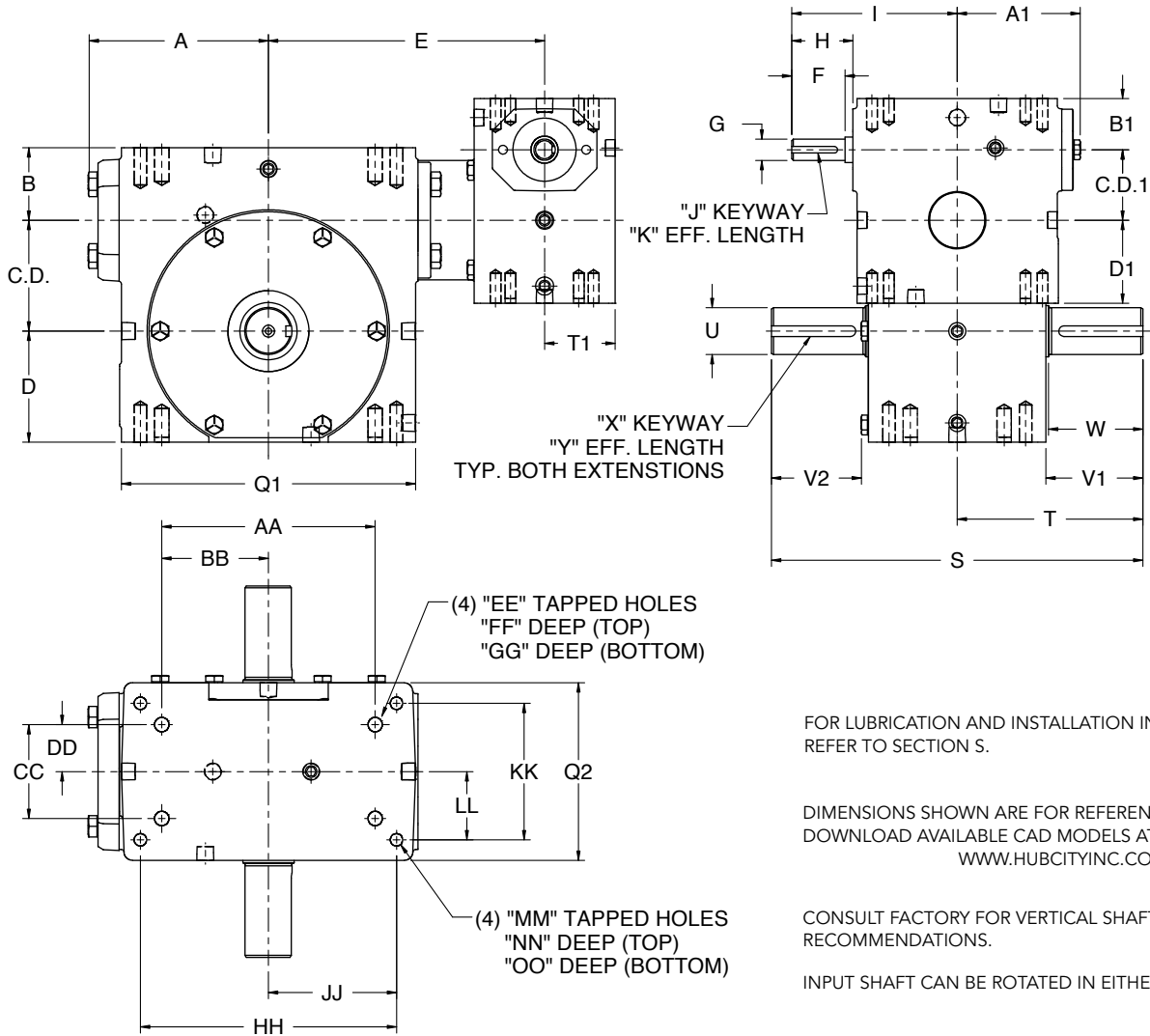
\*\*LOAD LOCATED AT END OF OUTPUT SHAFT.

OUTPUT TORQUE VALUES SHOWN ARE INCH-POUNDS (IN-LB).

# Hub City Worm Gear Drives

## Double Reduction Models

1301, 1501, 1801, 2101, 2401, 2601, 3001, 3201, 3801, 4201, 4501, 5201, GW6001, GW7001, GW8001, GW10001



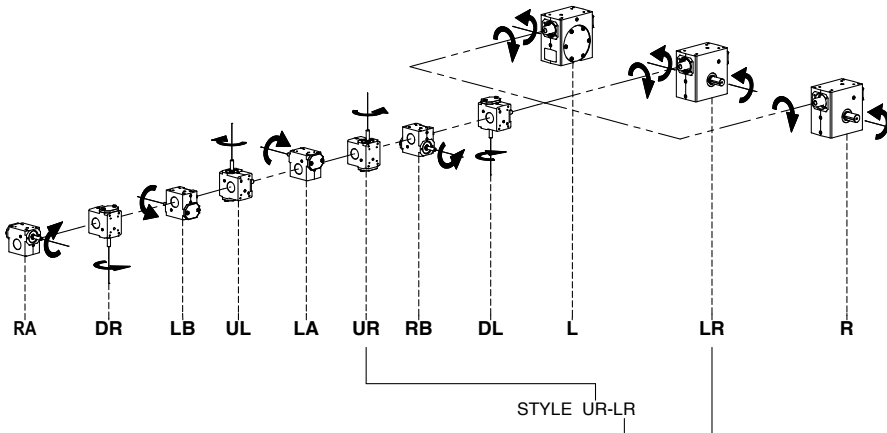
FOR LUBRICATION AND INSTALLATION INSTRUCTIONS REFER TO SECTION S.

DIMENSIONS SHOWN ARE FOR REFERENCE ONLY.  
DOWNLOAD AVAILABLE CAD MODELS AT:  
[WWW.HUBCITYINC.COM](http://WWW.HUBCITYINC.COM)

CONSULT FACTORY FOR VERTICAL SHAFT LUBRICATION RECOMMENDATIONS.

INPUT SHAFT CAN BE ROTATED IN EITHER DIRECTION.

### Standard Styles Available





# Hub City Worm Gear Drives

## Double Reduction Models

1301, 1501, 1801, 2101, 2401, 2601, 3001, 3201, 3801, 4201, 4501, 5201, GW6001, GW7001, GW8001, GW10001

MODEL	PRIMARY	SECONDARY	C.D.	A	B	D	Q1	Q2	E	T1	C.D.1	A1	B1	D1
1301	131	134-56C	1.334	2.61	1.186	1.562	4.12	3.12	4.87	1.56	1.334	2.61	1.186	1.562
1501	GW131	154	1.541	3.14	1.928	1.906	4.88	3.44	5.85	1.41	1.330	2.61	1.610	1.720
1801	131	184-56C	1.751	3.23	1.374	1.875	5.16	3.44	5.50	1.56	1.334	2.61	1.186	1.562
2101	131	214-56C	2.064	3.61	1.500	2.437	5.88	4.12	5.87	1.56	1.334	2.61	1.186	1.562
2401	GW131	244	2.376	3.77	2.061	2.500	6.12	4.06	6.44	1.41	1.330	2.61	1.610	1.720
2601	131	264-56C	2.626	4.33	1.874	2.938	7.20	4.50	6.58	1.56	1.334	2.61	1.186	1.562
3001	GW181	304	3.001	4.84	2.624	3.250	8.12	5.25	7.86	1.78	1.750	3.24	1.940	2.060
3201	211	324-143TC	3.251	5.28	2.124	3.250	8.62	5.20	8.09	2.06	2.064	3.61	1.500	2.437
3801	211	384-143TC	3.751	4.90	2.374	3.937	9.60	5.62	8.61	2.06	2.064	3.61	1.500	2.437
4201	GW211	424	4.251	6.10	2.686	4.438	10.25	6.13	9.18	1.91	2.060	3.61	2.020	2.280
4501	321	454-213TC	4.501	5.23	2.499	4.625	9.25	4.63	9.14	2.60	3.251	5.28	2.124	3.250
5201	321	524-213TC	5.168	5.98	2.624	5.375	10.75	5.06	9.89	2.60	3.251	5.28	2.124	3.250
GW6001	GW321	GW601	6.000	N/A	4.000	6.500	14.25	8.13	13.30	2.88	3.250	5.02	2.630	3.500
GW7001	GW321	GW701	7.000	N/A	4.320	7.590	14.88	7.63	12.96	2.88	3.250	5.02	2.630	3.500
GW8001	GW421	GW801	8.000	N/A	4.100	8.860	17.00	8.63	13.94	3.07	4.250	6.10	2.690	4.440
GW10001	GW451	GW1001	10.000	N/A	5.110	10.360	20.88	9.53	17.05	3.60	5.250	7.50	3.630	5.120

MODEL	F	G	H	I	J	K	S	T	U	V1	V2	W	X	Y
1301	1.67	.500/.4985	1.76	3.82	1/8 X 1/16 P&W	1.44	6.50	3.25	.625/.624	1.69	1.53	1.60	3/16 X 3/32	1.38
1501	N/A	.500/.4986	1.76	3.82	1/8 X 1/16 P&W	1.00	8.62	4.31	.750/.7485	2.11	1.90	2.08	3/16 X 3/32	1.51
1801	1.67	.500/.4985	1.76	3.82	1/8 X 1/16 P&W	1.44	7.00	3.50	.750/.749	1.78	1.57	1.54	3/16 X 3/32	1.41
2101	1.67	.500/.4985	1.76	3.82	1/8 X 1/16 P&W	1.44	8.50	4.25	.875/.874	2.19	1.98	1.95	3/16 X 3/32	1.83
2401	N/A	.500/.4985	1.76	3.82	1/8 X 1/16 P&W	1.00	10.28	5.14	1.125/1.1235	2.66	2.44	2.62	1/4 x 1/8	1.76
2601	1.67	.500/.4985	1.76	3.82	1/8 X 1/16 P&W	1.44	9.00	4.50	1.250/1.249	2.25	2.04	N/A	1/4 x 1/8	1.85
3001	N/A	.625/.6235	1.76	4.45	3/16 X 3/32	1.38	13.50	6.75	1.250/1.2485	3.60	3.36	3.57	1/4 X 1/8	2.26
3201	N/A	.625/.6235	1.76	4.82	3/16 X 3/32 P&W	1.50	10.88	5.44	1.375/1.374	2.84	2.62	2.75	5/16 X 5/32	2.31
3801	N/A	.625/.6235	1.76	4.82	3/16 X 3/32 P&W	1.50	13.38	6.69	1.500/1.499	3.88	N/A	N/A	3/8 X 3/16	3.16
4201	N/A	.625/.6235	1.76	4.82	3/16 X 3/32	1.38	16.24	8.12	1.875/1.8735	4.50	4.21	4.47	1/2 X 1/4	3.06
4501**	N/A	.875/.8735	2.38	6.75	3/16 X 3/32 P&W	1.75	14.50	7.25	1.625/1.624	4.18	N/A	3.90	3/8 X 3/16	3.28
5201***	N/A	.875/.8735	2.38	6.75	3/16 X 3/32 P&W	1.75	15.62	7.81	1.750/1.749	4.47	N/A	4.17	3/8 X 3/16	3.50
GW6001	N/A	.875/.8735	2.38	6.76	3/16 X 3/32 P&W	1.63	20.00	10.00	2.500	4.65	4.65	N/A	5/8 X 5/16 P&W	4.00
GW7001	N/A	.875/.8735	2.38	6.76	3/16 X 3/32 P&W	1.63	23.52	11.76	2.750	5.65	5.65	N/A	5/8 X 5/16 P&W	4.00
GW8001	N/A	1.250/1.2485	3.47	9.57	1/4 X 1/8	2.50	24.50	12.25	3.000	5.98	5.98	5.26	3/4 X 3/8 P&W	4.50
GW10001	N/A	1.250/1.2485	3.38	10.88	1/4 X 1/8	3.00	29.50	14.75	3.750	6.76	6.76	6.39	7/8 X 7/16 P&W	5.00

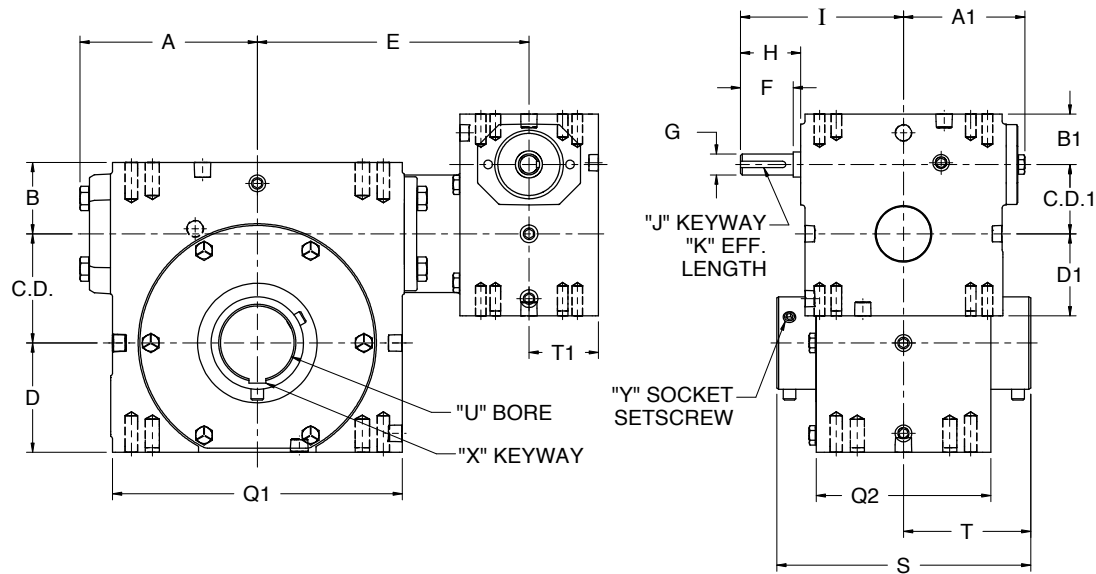
\*\* ALSO AVAILABLE WITH 1.750/1.749 (U) DIAMETER OUTPUT SHAFT. CONSULT FACTORY.  
 \*\*\* ALSO AVAILABLE WITH 2.000/1.999 (U) DIAMETER OUTPUT SHAFT. CONSULT FACTORY.

MODEL	AA	BB	CC	DD	EE	FF	GG	HH	JJ	KK	LL	MM	NN	OO	WT. LBS.
1301	2.250	1.125	1.625	0.813	1/4 UNC	0.50	0.50	3.250	1.625	2.000	1.000	5/16 UNC	0.50	0.50	22
1501	4.188	2.094	2.750	1.375	5/16 UNC	0.63	0.63	N/A	N/A	N/A	N/A	N/A	N/A	N/A	25
1801	3.125	1.563	1.625	0.813	1/4 UNC	0.50	0.50	4.188	2.094	2.750	1.375	5/16 UNC	0.63	0.63	25
2101	4.000	2.000	2.000	1.000	3/8 UNC	0.50	0.70	5.000	2.500	2.875	1.438	3/8 UNC	0.70	0.70	32
2401	5.000	2.500	2.875	1.438	3/8 UNC	0.69	0.69	N/A	N/A	N/A	N/A	N/A	N/A	N/A	48
2601	4.875	2.438	2.688	1.344	3/8 UNC	0.70	0.70	6.375	3.188	3.375	1.688	3/8 UNC	0.70	0.70	47
3001	7.000	3.500	4.000	2.000	7/16 UNC	0.88	0.88	N/A	N/A	N/A	N/A	N/A	N/A	N/A	77
3201	6.250	3.125	2.750	1.375	1/2 UNC	0.75	0.75	7.500	3.750	4.000	2.000	7/16 UNC	0.88	0.88	85
3801	6.875	3.438	3.000	1.500	1/2 UNC	0.94	1.00	8.500	4.250	4.750	2.375	1/2 UNC	1.00	1.00	115
4201	8.500	4.250	5.000	2.500	5/8 UNC	1.00	1.00	N/A	N/A	N/A	N/A	N/A	N/A	N/A	132
4501	8.125	4.063	3.250	1.625	5/8 UNC	0.88	1.13	N/A	N/A	N/A	N/A	N/A	N/A	N/A	172
5201	9.500	4.750	3.750	1.875	5/8 UNC	1.00	1.25	N/A	N/A	N/A	N/A	N/A	N/A	N/A	198
GW6001	12.750	6.375	6.380	3.190	5/8 UNC	1.00	1.00	N/A	N/A	N/A	N/A	N/A	N/A	N/A	402
GW7001	12.500	6.250	5.500	2.750	1 UNC	1.56	1.56	N/A	N/A	N/A	N/A	N/A	N/A	N/A	478
GW8001	14.250	7.125	6.500	3.250	1 UNC	1.66	1.66	N/A	N/A	N/A	N/A	N/A	N/A	N/A	718
GW10001	17.750	8.875	6.875	3.438	1-1/4 UNC	2.04	2.04	N/A	N/A	N/A	N/A	N/A	N/A	N/A	1136

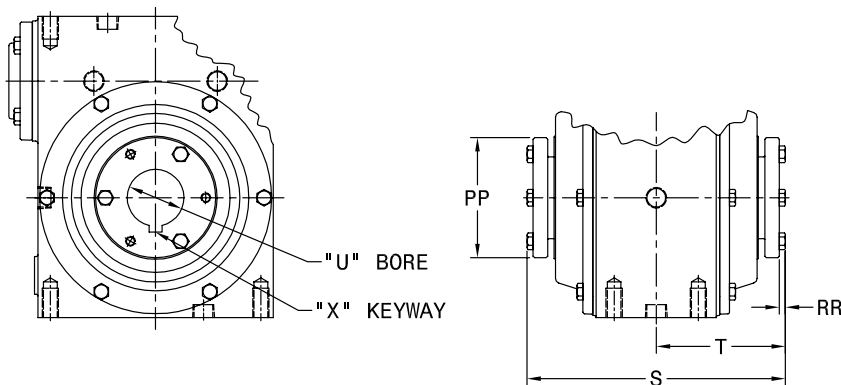
# Hub City Worm Gear Drives

## Double Reduction Models

1302, 1502, 1802, 2102, 2402, 2602, 3002, 3202, 3802, 4202, 4502, 5202, GW6002, GW7002, GW8002, GW10002



### QD Bushing Detail for Models 4502 & 5202



FOR LUBRICATION AND INSTALLATION INSTRUCTIONS REFER TO SECTION S.

THESE UNITS CAN BE FURNISHED WITH SOLID OUTPUT SHAFT ON SPECIAL ORDERS.

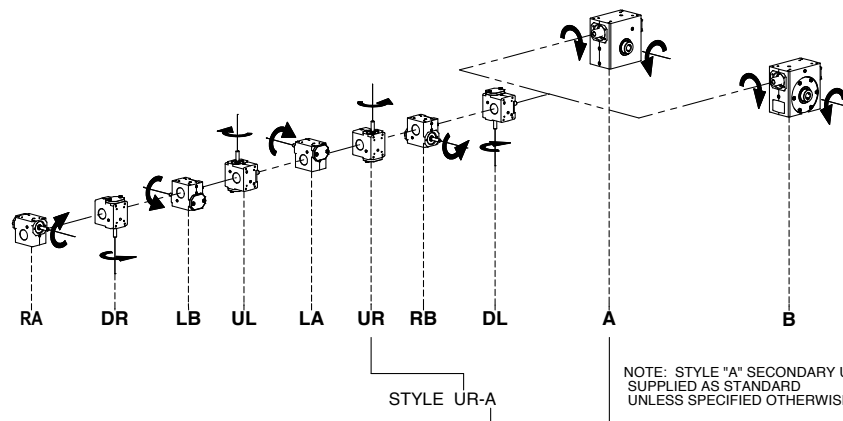
SHAFT MOUNTED UNITS REQUIRE TORQUE ARMS. TORQUE ARM KITS ARE AVAILABLE. SEE PAGE B-105.

DIMENSIONS SHOWN ARE FOR REFERENCE ONLY. DOWNLOAD AVAILABLE CAD MODELS AT: [WWW.HUBCITYINC.COM](http://WWW.HUBCITYINC.COM)

CONSULT FACTORY FOR VERTICAL SHAFT LUBRICATION RECOMMENDATIONS.

INPUT SHAFT CAN BE ROTATED IN EITHER DIRECTION.

### Standard Styles Available



# Hub City Worm Gear Drives

## Double Reduction Models

1302, 1502, 1802, 2102, 2402, 2602, 3002, 3202, 3802, 4202, 4502, 5202, GW6002, GW7002, GW8002, GW10002

MODEL	PRIMARY	SECONDARY	C.D.	A	B	D	Q1	Q2	E	T1	C.D.1	A1	B1	D1
1302	131	135-56C	1.334	2.61	1.186	1.562	4.12	3.12	4.87	1.56	1.334	2.61	1.186	1.562
1502	GW131	155	1.541	3.14	1.928	1.906	4.88	3.44	5.85	1.41	1.330	2.61	1.610	1.720
1802	131	185-56C	1.751	3.23	1.374	1.875	5.16	3.44	5.50	1.56	1.334	2.61	1.186	1.562
2102	131	215-56C	2.064	3.61	1.500	2.437	5.88	4.12	5.87	1.56	1.334	2.61	1.186	1.562
2402	GW131	245	2.376	3.77	2.061	2.500	6.12	4.06	6.44	1.41	1.330	2.61	1.610	1.720
2602	131	265-56C	2.626	4.33	1.874	2.938	7.20	4.50	6.58	1.56	1.334	2.61	1.186	1.562
3002	GW181	305	3.001	4.84	2.624	3.250	8.12	5.25	7.86	1.78	1.750	3.24	1.940	2.060
3202	211	325-143TC	3.251	5.28	2.124	3.250	8.62	5.20	8.09	2.06	2.064	3.61	1.500	2.437
3802	211	385-143TC	3.751	4.90	2.374	3.937	9.60	5.62	8.61	2.06	2.064	3.61	1.500	2.437
4202	GW211	425	4.251	6.10	2.686	4.438	10.25	6.13	9.18	1.91	2.060	3.61	2.020	2.280
4502	321	455-213TC	4.501	5.23	2.499	4.625	9.25	4.63	9.14	2.60	3.251	5.28	2.124	3.250
5202	321	525-213CT	5.168	5.98	2.624	5.375	10.75	5.06	9.89	2.60	3.251	5.28	2.124	3.250
GW6002	GW321	GW602	6.000	N/A	4.000	6.500	14.25	8.13	13.30	2.88	3.250	5.02	2.630	3.500
GW7002	GW321	GW702	7.000	N/A	4.320	7.590	14.88	7.63	12.96	2.88	3.250	5.02	2.630	3.500
GW8002	GW421	GW802	8.000	N/A	4.100	8.860	17.00	8.63	13.94	3.07	4.250	6.10	2.690	4.440
GW10002	GW451	GW1002	10.000	N/A	5.110	10.360	20.88	9.53	17.05	3.60	5.250	7.50	3.630	5.120

MODEL	F	G	H	I	J	K	WT. LBS.
1302	1.67	.500/.4985	1.76	3.82	1/8 X 1/16 P&W	1.44	22
1502	N/A	.500/.4986	1.76	3.82	1/8 X 1/16 P&W	1.00	25
1802	1.67	.500/.4985	1.76	3.82	1/8 X 1/16 P&W	1.44	25
2102	1.67	.500/.4985	1.76	3.82	1/8 X 1/16 P&W	1.44	35
2402	N/A	.500/.4985	1.76	3.82	1/8 X 1/16 P&W	1.00	48
2602	1.67	.500/.4985	1.76	3.82	1/8 X 1/16 P&W	1.44	47
3002	N/A	.625/.6234	1.76	4.45	3/16 X 3/32	1.38	77
3202	N/A	.625/.6235	1.76	4.82	3/16 X 3/32 P&W	1.50	89
3802	N/A	.625/.6235	1.76	4.82	3/16 X 3/32 P&W	1.50	115
4202	N/A	.625/.6235	1.76	4.82	3/16 X 3/32	1.38	132
4502	N/A	.875/.8735	2.38	6.75	3/16 X 3/32 P&W	1.75	177
5202	N/A	.875/.8735	2.38	6.75	3/16 X 3/32 P&W	1.75	205
GW6002	N/A	0.875/.8735	2.38	6.76	3/16 X 3/32 P&W	1.63	402
GW7002	N/A	.875/.8735	2.38	6.76	3/16 X 3/32 P&W	1.63	478
GW8002	N/A	1.250/1.2485	3.47	9.57	1/4 X 1/8	2.50	718
GW10002	N/A	1.250/1.2485	3.38	10.88	1/4 X 1/8	3.00	1136

### Stock Output Bores

MINIMUM AND MAXIMUM BORE DIMENSIONS SHOWN.  
FOR ADDITIONAL STOCK OUTPUT BORE SIZES AND  
STOCK QD BUSHING KITS AVAILABLE SEE PAGE B-96.

MODEL	U (MIN.)	U (MAX.)	S	T
1302	N/A	5/8	4.50	2.25
1502	N/A	5/8	5.42	2.71
1802	15/16	1	4.81	2.41
2102	15/16	1-1/2	5.56	2.78
2402	1	1-1/2	6.00	3.00
2602	1	1-1/2	5.93	2.97
3002	1-3/16	2-3/16	7.50	3.75
3202	1-7/16	2-3/16	7.56	3.78
3802	1-7/16	2-3/16	7.56	3.78
4202	1-7/16	2-3/16	8.50	4.25
4502	QD BUSHING KIT		10.00	5.00
5202	REQUIRED		11.13	5.56
GW6002	2	3-7/16	11.50	5.75
GW7002	2-7/16	3-15/16	13.50	6.75
GW8002	3-7/16	4-7/16	14.50	7.25
GW10002	3-7/16	5-7/16	18.50	9.25

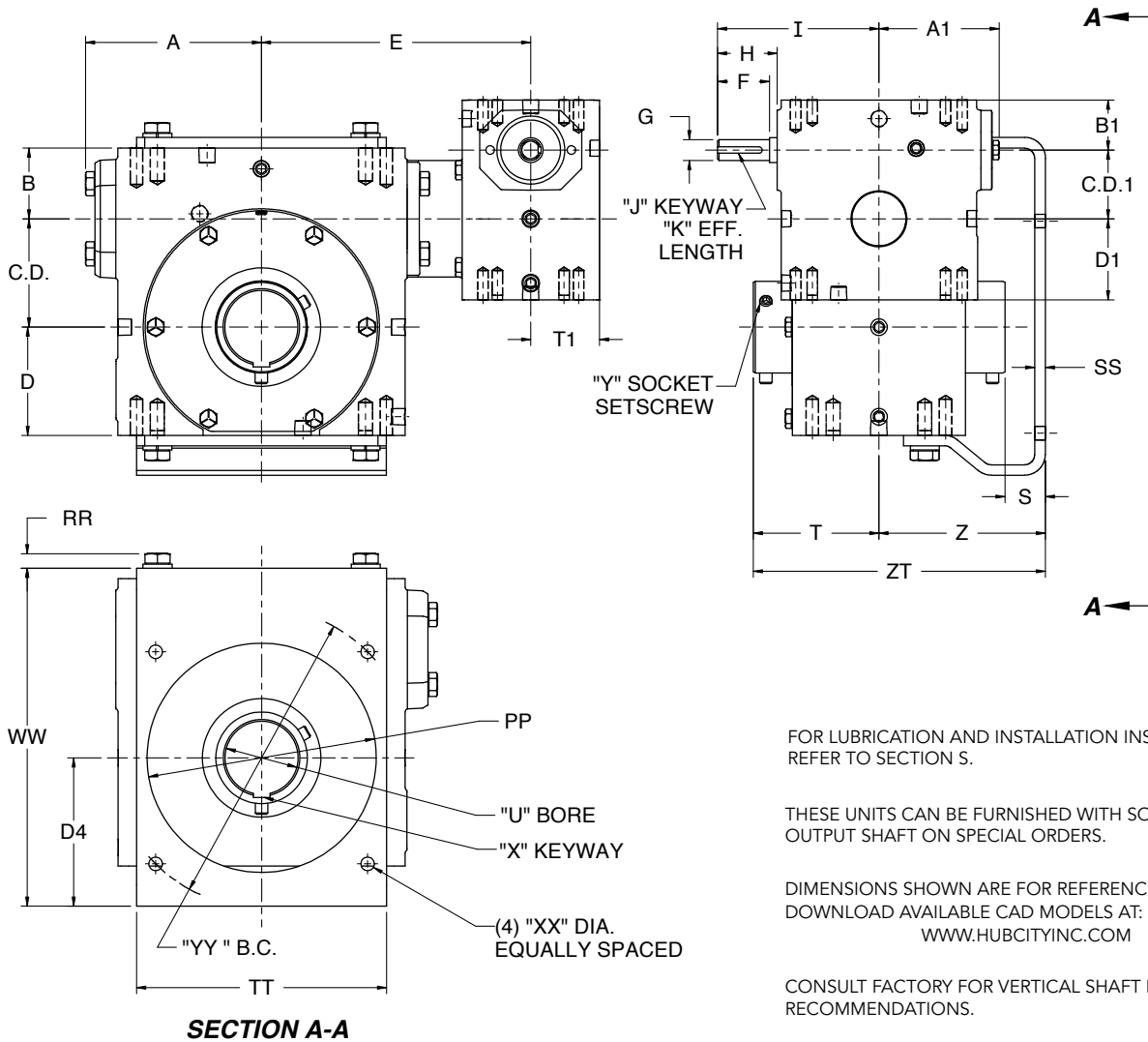


Select hollow output bore models in this product line are now available with the HubLoc® Keyless Bushing System. Refer to pages i and ii at front of this catalog for features, available sizes, and ordering information.

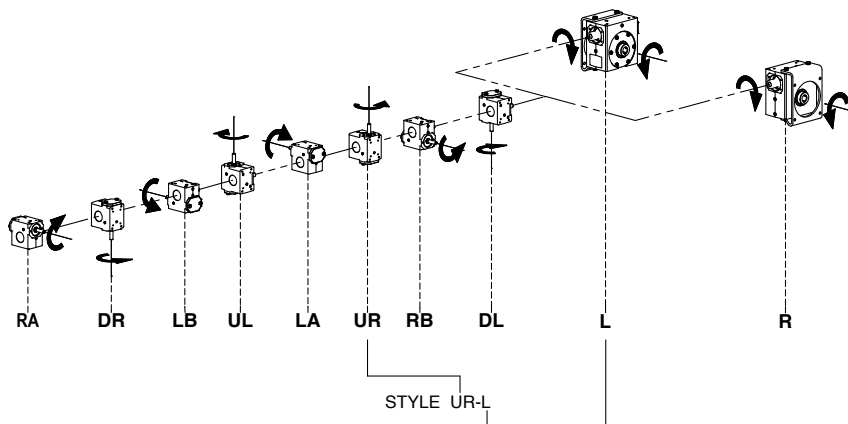
# Hub City Worm Gear Drives

## Double Reduction Models

1303, 1803, 2103, 2403, 2603, 3203, 3803 (STEEL BRACKET)



### Standard Styles Available



# Hub City Worm Gear Drives

## Double Reduction Models

1303, 1803, 2103, 2403, 2603, 3203, 3803 (STEEL BRACKET)

MODEL	PRIMARY	SECONDARY	C.D.	A	B	D	E	T1	C.D.1	A1	B1	D1
1303	131	136-56C	1.334	2.61	1.186	1.562	4.87	1.56	1.334	2.61	1.186	1.562
1803	131	186-56C	1.751	3.23	1.374	1.875	5.50	1.56	1.334	2.61	1.186	1.562
2103	131	216-56C	2.064	3.61	1.500	2.437	5.87	1.56	1.334	2.61	1.186	1.562
2403*	GW131	246	2.376	3.77	2.061	2.500	6.44	1.41	1.330	2.61	1.610	1.720
2603	131	266-56C	2.626	4.33	1.874	2.938	6.58	1.56	1.334	2.61	1.186	1.562
3203	211	326-143TC	3.251	5.28	2.124	3.250	8.09	2.06	2.064	3.61	1.500	2.437
3803	211	386-143TC	3.751	4.90	2.374	3.937	8.61	2.06	2.064	3.61	1.500	2.437

\* Model 2403 also available with Cast F-Flange as either an add-on kit (see page B-103) or as a special assembly (consult factory).

MODEL	F	G	H	I	J	K
1303	1.67	.500/.4985	1.76	3.82	1/8 X 1/16 P&W	1.44
1803	1.67	.500/.4985	1.76	3.82	1/8 X 1/16 P&W	1.44
2103	1.67	.500/.4985	1.76	3.82	1/8 X 1/16 P&W	1.44
2403	N/A	.500/.4985	1.76	3.82	1/8 X 1/16 P&W	1.00
2603	1.67	.500/.4985	1.76	3.82	1/8 X 1/16 P&W	1.44
3203	N/A	.625/.6235	1.76	4.82	3/16 X 3/32 P&W	1.50
3803	N/A	.625/.6235	1.76	4.82	3/16 X 3/32 P&W	1.50

MODEL	PP	SS	RR	WW	D4	TT	XX	YY	WT. LBS.
1303	3.62	0.19	0.22	5.22	2.50	4.25	11/32	5.000	25
1803	4.25	0.25	0.22	6.50	3.13	4.88	11/32	5.875	28
2103	4.75	0.31	0.33	7.63	3.75	5.75	13/32	7.000	40
2403	5.00	0.25	0.33	8.30	3.61	6.00	13/32	7.500	53
2603	5.75	0.31	0.33	8.70	3.89	6.75	13/32	8.000	53
3203	6.88	0.31	0.44	10.14	4.45	7.50	13/32	9.000	97
3803	7.50	0.31	0.44	11.53	5.09	8.25	9/16	10.000	122

### Stock Output Bores

MINIMUM AND MAXIMUM BORE DIMENSIONS SHOWN.  
FOR ADDITIONAL STOCK OUTPUT BORE SIZES  
AVAILABLE SEE PAGE B-96.

MODEL	U (MIN.)	U (MAX.)	S	T	Z	ZT
1303	N/A	5/8	0.75	2.25	3.00	5.25
1803	15/16	1	0.91	2.41	3.31	5.71
2103	15/16	1-1/2	0.85	2.78	3.63	6.41
2403	1	1-1/2	0.75	2.97	3.72	6.69
2603	1	1-1/2	0.66	2.97	3.63	6.60
3203	1-7/16	2-3/16	0.22	3.78	4.00	7.78
3803	1-7/16	2-3/16	0.72	3.78	4.50	8.28

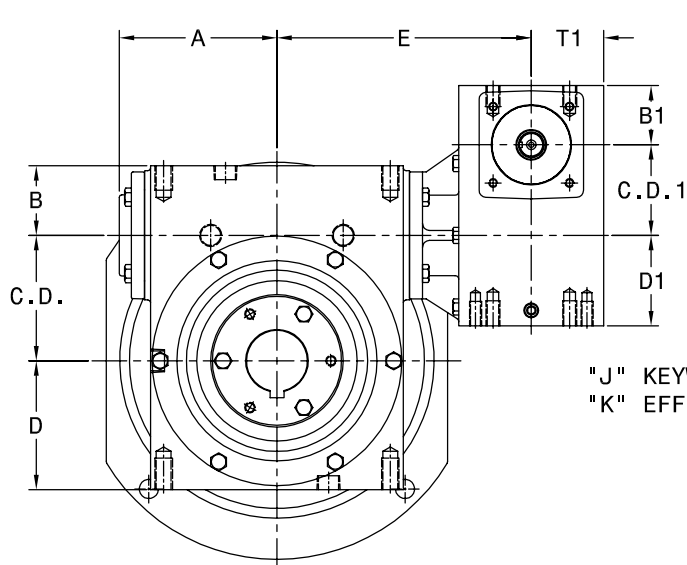


Select hollow output bore models in this product line are now available with the HubLoc® Keyless Bushing System. Refer to pages i and ii at front of this catalog for features, available sizes, and ordering information.

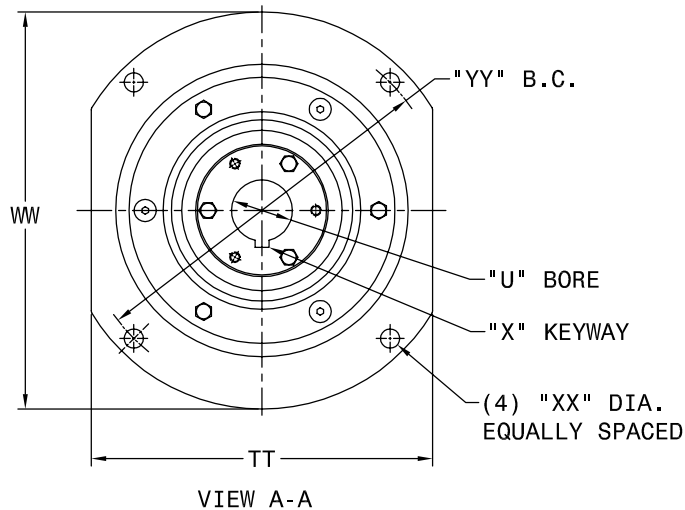
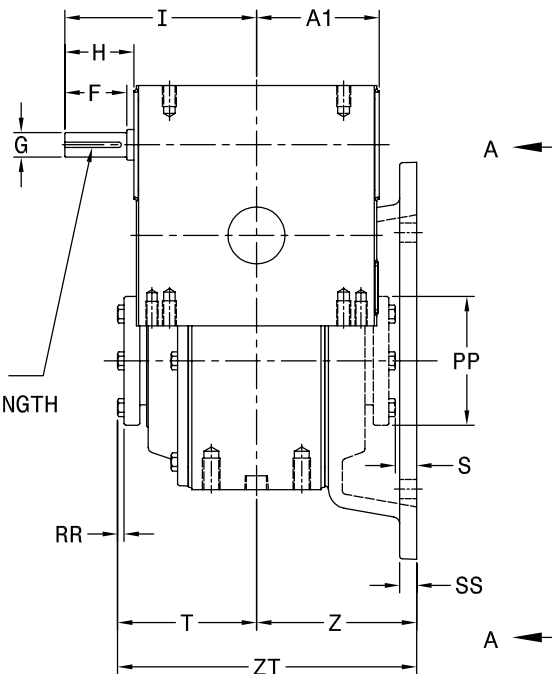
# Hub City Worm Gear Drives

## Double Reduction Models

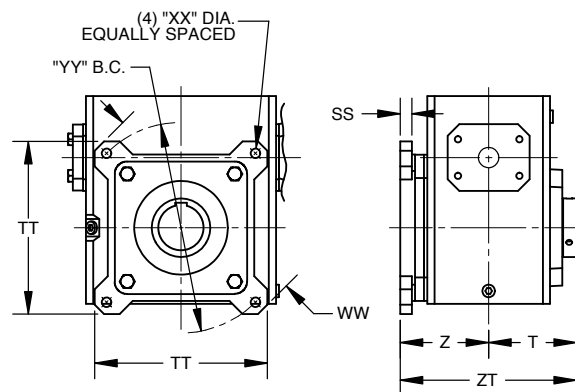
1503, 3003, 4203, 4503, 5203 (CAST FLANGE)



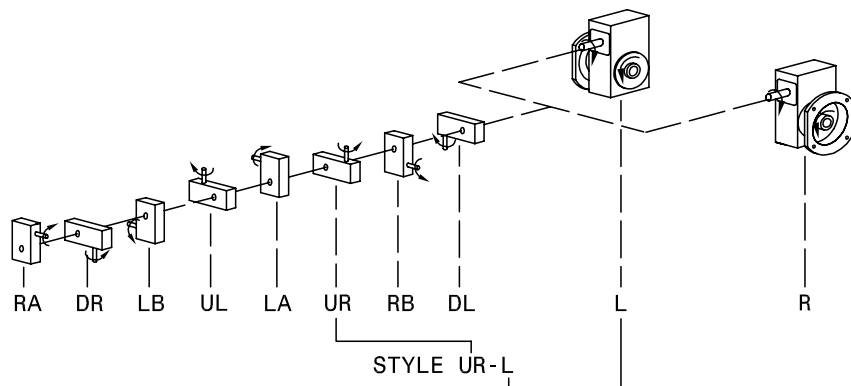
"J" KEYWAY  
"K" EFF. LENGTH



### Detail for Models 1503, 3003, 4203 F-Flange



### Standard Styles Available



THESE UNITS CAN BE FURNISHED WITH SOLID OUTPUT SHAFT ON SPECIAL ORDER.

DIMENSIONS SHOWN ARE FOR REFERENCE ONLY.  
DOWNLOAD AVAILABLE CAD MODELS AT:  
[WWW.HUBCITYINC.COM](http://WWW.HUBCITYINC.COM)

FOR LUBRICATION AND INSTALLATION INSTRUCTIONS REFER TO SECTION 5.

CONSULT FACTORY FOR VERTICAL SHAFT LUBRICATION RECOMMENDATIONS.

INPUT SHAFT CAN BE ROTATED IN EITHER DIRECTION.

# Hub City Worm Gear Drives

## Double Reduction Models

1503, 3003, 4203, 4503, 5203 (CAST FLANGE)

MODEL	PRIMARY	SECONDARY	C.D.	A	B	D	E	TI	C.D.1	A1	B1	D1
1503	GW131	156	1.541	3.14	1.928	1.906	5.85	1.41	1.330	2.16	1.610	1.720
3003	GW181	306	3.001	4.84	2.624	3.250	7.86	1.78	1.750	3.24	1.940	2.060
4203	GW211	426	4.251	6.10	2.686	4.438	9.18	1.91	2.060	3.61	2.020	2.280
4503	321	456-213TC	4.501	5.23	2.499	4.625	9.14	2.60	3.251	5.28	2.124	3.250
5203	321	526-213TC	5.168	5.98	2.624	5.375	9.89	2.60	3.251	5.28	2.124	3.250

MODEL	F	G	H	I	J	K	SS	TT	WW	XX	YY	WT LBS.
1503	N/A	.500/.4985	1.76	3.82	1/8 X 1/16 P&W	1.00	0.38	4.50	5.92	11/32	5.00	28
3003	N/A	.625/.6234	1.76	4.35	3/16 X 3/32	1.38	0.50	7.37	9.89	13/32	9.00	83
4203	N/A	.625/.6235	1.76	4.82	3/16 X 3/33	1.38	0.62	9.65	12.95	9/16	11.50	140
4503	N/A	.875/.8735	2.38	6.75	3/16 X 3/32 P&W	1.75	0.63	12.25	14.25	11/16	13.00	185
5203	N/A	.875/.8736	2.38	6.75	3/16 X 3/32 P&W	1.75	0.75	12.50	15.50	11/16	14.00	214

### Stock Output Bores

MINIMUM AND MAXIMUM BORE DIMENSIONS SHOWN.  
FOR ADDITIONAL STOCK OUTPUT BORE SIZES  
AVAILABLE SEE PAGE B-96.

MODEL	U (MIN.)	U (MAX.)	S	T	Z	ZT
1503	N/A	5/8	0.16	2.71	2.94	5.58
3003	1-3/16	2-3/16	0.03	3.75	3.78	7.53
4203	1-7/16	2-3/16	0.31	4.25	4.56	8.81
4503	QD BUSHING KIT		0.75	5.00	5.75	10.75
5203	REQUIRED		1.44	5.56	7.00	12.56



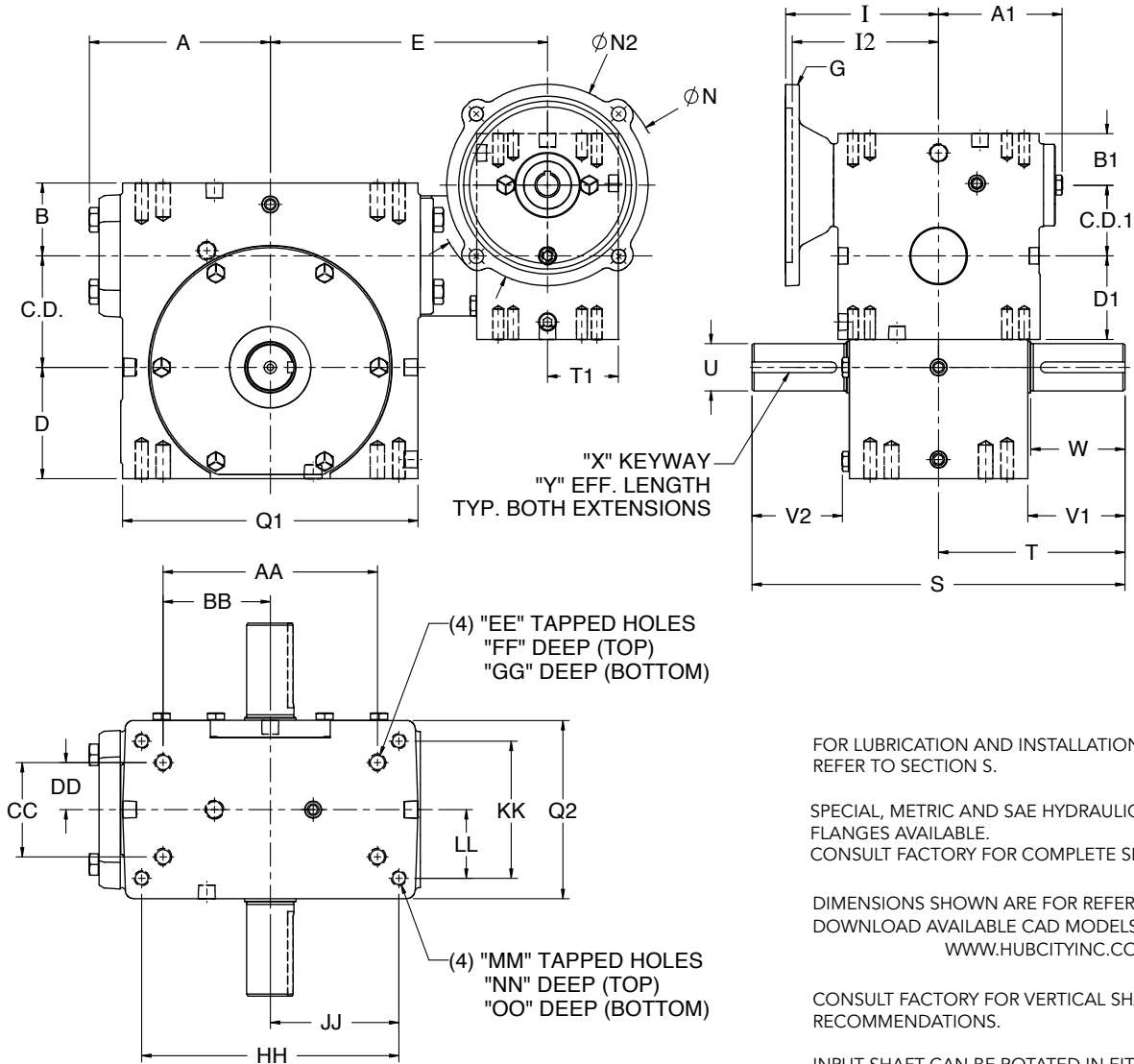
Select hollow output bore models in this product line are now available with the HubLoc® Keyless Bushing System. Refer to pages i and ii at front of this catalog for features, available sizes, and ordering information.

NOTE: Model 2403 also available with Cast F-Flange as either an add-on kit (see page B-103) or as a special assembly (consult factory).

# Hub City Worm Gear Drives

## Double Reduction Models

1304, 1504, 1804, 2104, 2404, 2604, 3004, 3204, 3804, 4204, 4504, 5204, GW6004, GW7004, GW8004, GW10004



FOR LUBRICATION AND INSTALLATION INSTRUCTIONS REFER TO SECTION S.

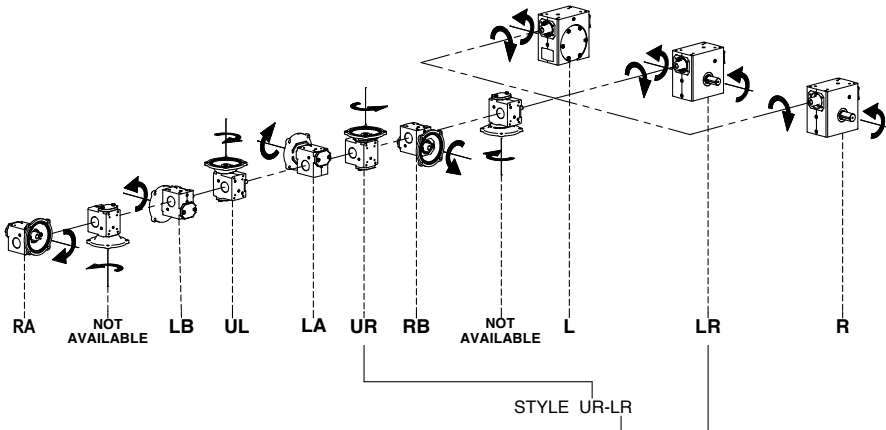
SPECIAL, METRIC AND SAE HYDRAULIC INPUT FLANGES AVAILABLE. CONSULT FACTORY FOR COMPLETE SPECIFICATIONS.

DIMENSIONS SHOWN ARE FOR REFERENCE ONLY. DOWNLOAD AVAILABLE CAD MODELS AT: [WWW.HUBCITYINC.COM](http://WWW.HUBCITYINC.COM)

CONSULT FACTORY FOR VERTICAL SHAFT LUBRICATION RECOMMENDATIONS.

INPUT SHAFT CAN BE ROTATED IN EITHER DIRECTION.

### Standard Styles Available





# Hub City Worm Gear Drives

## Double Reduction Models

1304, 1504, 1804, 2104, 2404, 2604, 3004, 3204, 3804, 4204, 4504, 5204, GW6004, GW7004, GW8004, GW10004

MODEL	PRIMARY	SECONDARY	C.D.	A	B	D	Q1	Q2	E	T1	C.D.1	A1	B1	D1	S	T
1304	134	134-56C	1.334	2.61	1.186	1.562	4.12	3.12	4.87	1.56	1.334	2.61	1.186	1.562	6.50	3.25
1504	GW134	154	1.541	3.14	1.928	1.906	4.88	3.44	5.85	1.41	1.330	2.61	1.610	1.720	8.62	4.31
1804	134	184-56C	1.751	3.23	1.374	1.875	5.16	3.44	5.50	1.56	1.334	2.61	1.186	1.562	7.00	3.50
2104	134	214-56C	2.064	3.61	1.500	2.437	5.88	4.12	5.87	1.56	1.334	2.61	1.186	1.562	8.50	4.25
2404	GW134	244	2.376	3.77	2.061	2.500	6.12	4.06	6.44	1.41	1.330	2.61	1.610	1.720	10.28	5.14
2604	134	264-56C	2.626	4.33	1.874	2.938	7.20	4.50	6.58	1.56	1.334	2.61	1.186	1.562	9.00	4.50
3004	GW184	304	3.001	4.84	2.624	3.250	8.12	5.25	7.86	1.78	1.750	3.24	1.940	2.060	13.50	6.75
3204	214	324-143TC	3.251	5.28	2.124	3.250	8.62	5.20	8.09	2.06	2.064	3.61	1.500	2.437	10.88	5.44
3804	214	384-143TC	3.751	4.90	2.374	3.937	9.60	5.62	8.61	2.06	2.064	3.61	1.500	2.437	13.38	6.69
4204	GW214	424	4.251	6.10	2.686	4.438	10.25	6.13	9.18	1.91	2.060	3.61	2.020	2.280	16.24	8.12
4504	324	454-213TC	4.501	5.23	2.499	4.625	9.25	4.63	9.14	2.60	3.251	5.28	2.124	3.250	14.50	7.25
5204	324	524-213TC	5.168	5.98	2.624	5.375	10.75	5.06	9.89	2.60	3.251	5.28	2.124	3.250	15.62	7.81
GW6004	GW324	GW601	6.000	N/A	4.000	6.500	14.25	8.13	13.30	2.88	3.250	5.02	2.630	3.500	20.00	10.00
GW7004	GW324	GW701	7.000	N/A	4.320	7.590	14.88	7.63	12.96	2.88	3.250	5.02	2.630	3.500	23.52	11.76
GW8004	GW424	GW801	8.000	N/A	4.100	8.860	17.00	8.63	13.94	3.07	4.250	6.10	2.690	4.440	24.50	12.25
GW10004	GW454	GW1001	10.000	N/A	5.110	10.360	20.88	9.53	17.05	3.60	5.250	7.50	3.630	5.120	29.50	14.75

MODEL	U	V1	V2	W	X	Y
1304	.625/.624	1.69	1.53	1.60	3/16 X 3/32	1.38
1504	.750/.7485	2.11	1.90	2.08	3/16 X 3/32	1.51
1804	.750/.749	1.78	1.57	1.54	3/16 X 3/32	1.41
2104	.875/.874	2.19	1.98	1.95	3/16 X 3/32	1.83
2404	1.125/1.1235	2.66	2.44	2.62	1/4 X 1/8	1.76
2604	1.250/1.249	2.25	2.04	N/A	1/4 X 1/8	1.85
3004	1.250/1.2485	3.60	3.36	3.57	1/4 X 1/8	2.26
3204	1.375/1.374	2.84	2.62	2.75	5/16 X 5/32	2.31
3804	1.500/1.499	3.88	N/A	N/A	3/8 X 3/16	3.16

MODEL	U	V1	V2	W	X	Y
4204	1.875/1.8735	4.50	4.21	4.47	1/2 X 1/4	3.06
4504**	1.625/1.624	4.18	N/A	3.90	3/8 X 3/16	3.28
5204***	1.750/1.749	4.47	N/A	4.17	3/8 X 3/16	3.50
GW6004	2.500	4.65	4.65	N/A	5/8 X 5/16 P&W	4.00
GW7004	2.750	5.65	5.65	N/A	5/8 X 5/16 P&W	4.00
GW8004	3.000	5.98	5.98	5.26	3/4 X 3/8 P&W	4.50
GW10004	3.750	6.76	6.76	6.39	7/8 X 7/16 P&W	5.00

\*\* ALSO AVAILABLE WITH 1.750/1.749 (U) DIAMETER OUTPUT SHAFT. CONSULT FACTORY.  
 \*\*\* ALSO AVAILABLE WITH 2.000/1.999 (U) DIAMETER OUTPUT SHAFT. CONSULT FACTORY.

MODEL	AA	BB	CC	DD	EE	FF	GG	HH	JJ	KK	LL	MM	NN	OO	WT. LBS.
1304	2.250	1.125	1.625	0.813	1/4 UNC	0.50	0.50	3.250	1.625	2.000	1.000	5/16 UNC	0.50	0.50	22
1504	4.188	2.094	2.750	1.375	5/16 UNC	0.63	0.63	N/A	N/A	N/A	N/A	N/A	N/A	N/A	26
1804	3.125	1.563	1.625	0.813	1/4 UNC	0.50	0.50	4.188	2.094	2.750	1.375	5/16 UNC	0.63	0.63	26
2104	4.000	2.000	2.000	1.000	3/8 UNC	0.50	0.70	5.000	2.500	2.875	1.438	3/8 UNC	0.70	0.70	36
2404	5.000	2.500	2.875	1.438	3/8 UNC	0.69	0.69	N/A	N/A	N/A	N/A	N/A	N/A	N/A	52
2604	4.875	2.438	2.688	1.344	3/8 UNC	0.70	0.70	6.375	3.188	3.375	1.688	3/8 UNC	0.70	0.70	48
3004	7.000	3.500	4.000	2.000	7/16 UNC	0.88	0.88	N/A	N/A	N/A	N/A	N/A	N/A	N/A	81
3204	6.250	3.125	2.750	1.375	1/2 UNC	0.75	0.75	7.500	3.750	4.000	2.000	7/16 UNC	0.88	0.88	85
3804	6.875	3.438	3.000	1.500	1/2 UNC	0.94	1.00	8.500	4.250	4.750	2.375	1/2 UNC	1.00	1.00	115
4204	8.500	4.250	5.000	2.500	5/8 UNC	1.00	1.00	N/A	N/A	N/A	N/A	N/A	N/A	N/A	135
4504	8.125	4.063	3.250	1.625	5/8 UNC	0.88	1.13	N/A	N/A	N/A	N/A	N/A	N/A	N/A	176
5204	9.500	4.750	3.750	1.875	5/8 UNC	1.00	1.25	N/A	N/A	N/A	N/A	N/A	N/A	N/A	202
GW6004	12.750	6.375	6.380	3.190	5/8 UNC	1.00	1.00	N/A	N/A	N/A	N/A	N/A	N/A	N/A	406
GW7004	12.500	6.250	5.500	2.750	1 UNC	1.56	1.56	N/A	N/A	N/A	N/A	N/A	N/A	N/A	482
GW8004	14.250	7.125	6.500	3.250	1 UNC	1.66	1.66	N/A	N/A	N/A	N/A	N/A	N/A	N/A	728
GW10004	17.750	8.875	6.875	3.438	1-1/4 UNC	2.04	2.04	N/A	N/A	N/A	N/A	N/A	N/A	N/A	1151

MODEL	G	I	I2	N	N2
1304	48CZ	3.46	N/A	4.36	3.87
	56C			6.63	6.50
1504	48CZ	3.46	N/A	4.36	3.87
	56C			6.63	6.50
1804	48CZ	3.46	N/A	4.36	3.87
	56C			6.63	6.50
2104	48CZ	3.46	N/A	4.36	3.87
	56C			6.63	6.50
2404	48CZ	3.46	N/A	4.36	3.87
	56C			6.63	6.50
2604	48CZ	3.46	N/A	4.36	3.87
	56C			6.63	6.50
3004	48CZ	4.09	N/A	4.36	3.87
	56C			6.63	6.50
	143TC			6.63	6.50

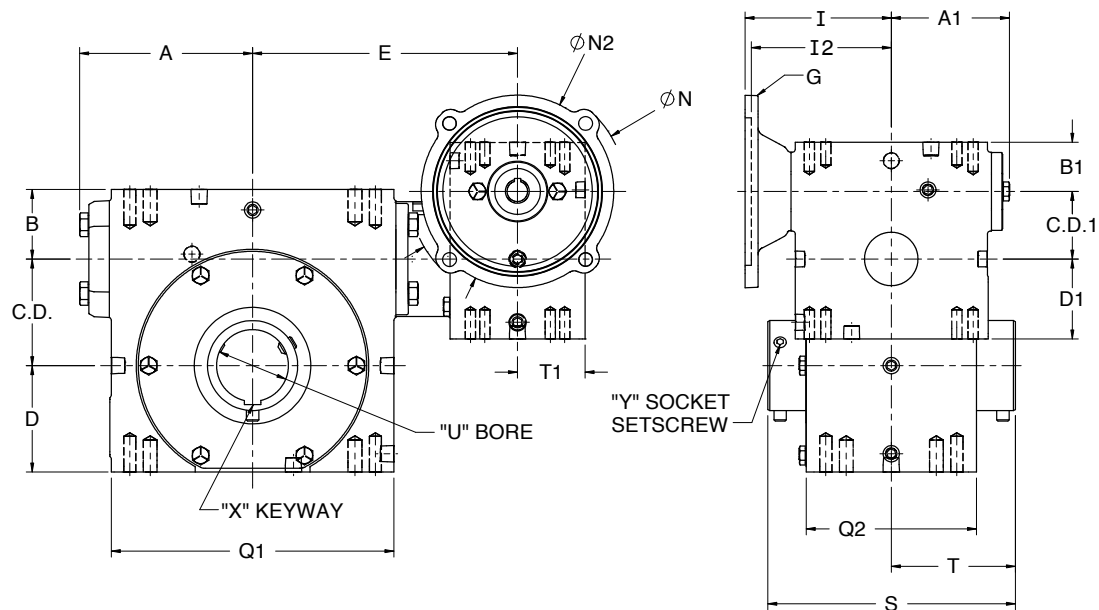
MODEL	G	I	I2	N	N2
3204	48CZ	4.46	N/A	4.36	3.87
	56C			6.63	6.50
3804	143TC	4.46	N/A	4.36	3.87
	48CZ			6.63	6.50
4204	56C	4.46	N/A	4.36	3.87
	143TC			6.63	6.50
4504	48CZ	6.14	N/A	4.36	3.87
	56C			6.63	6.50
	143TC	N/A	6.34	9.00	9.00
	182TC		6.90		
5204	56C	6.14	N/A	6.50	6.50
	143TC			6.50	6.50
	182TC	N/A	6.34	9.00	9.00
	213TC		6.90		

MODEL	G	I	I2	N	N2	
GW6004	56C	6.14	N/A	6.50	6.50	
	143TC					
	182TC	N/A	6.34	9.00	9.00	
	213TC		6.90			
GW7004	56C	6.14	N/A	6.50	6.50	
	143TC					
	182TC	N/A	6.34	9.00	9.00	
	213TC		6.90			
GW8004	56C	6.45	N/A	6.50	6.50	
	143TC					
	182TC	N/A	7.21	9.00	9.00	
	213TC		7.77			
	254TC					
GW10004	56C	7.85	N/A	6.50	6.50	
	143TC					
	182TC	N/A	8.61	9.00	9.00	
	213TC					
	254TC		9.17			

# Hub City Worm Gear Drives

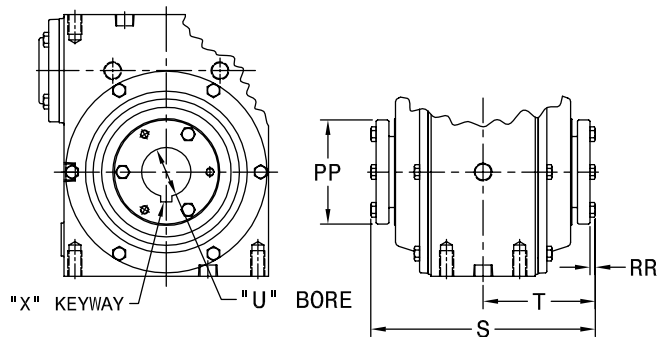
## Double Reduction Models

1305, 1505, 1805, 2105, 2405, 2605, 3005, 3205, 3805, 4205, 4505, 5205, GW6005, GW7005, GW8005, GW10005



SPECIAL, METRIC AND SAE HYDRAULIC INPUT FLANGES AVAILABLE. CONSULT FACTORY FOR COMPLETE SPECIFICATIONS.

### QD Bushing Detail for Models 4505 & 5205



FOR LUBRICATION AND INSTALLATION INSTRUCTIONS REFER TO SECTION S.

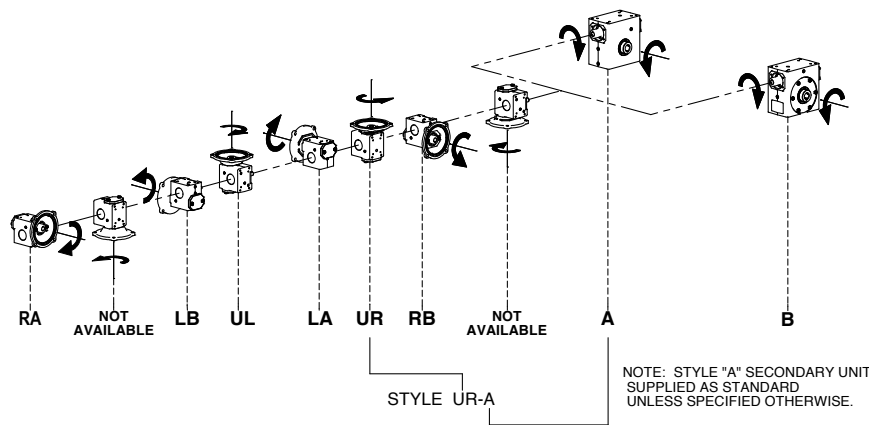
SHAFT MOUNTED UNITS REQUIRE TORQUE ARMS. TORQUE ARM KITS ARE AVAILABLE. SEE PAGE B-105.

DIMENSIONS SHOWN ARE FOR REFERENCE ONLY. DOWNLOAD AVAILABLE CAD MODELS AT: [WWW.HUBCITYINC.COM](http://WWW.HUBCITYINC.COM)

CONSULT FACTORY FOR VERTICAL SHAFT LUBRICATION RECOMMENDATIONS.

INPUT SHAFT CAN BE ROTATED IN EITHER DIRECTION.

### Standard Styles Available



# Hub City Worm Gear Drives

## Double Reduction Models

1305, 1505, 1805, 2105, 2405, 2605, 3005, 3205, 3805, 4205, 4505, 5205, GW6005, GW7005, GW8005, GW10005

MODEL	PRIMARY	SECONDARY	C.D.	A	B	D	Q1	Q2
1305	134	135-56C	1.334	2.61	1.186	1.562	4.12	3.12
1505	GW134	155	1.541	3.14	1.928	1.906	4.88	3.44
1805	134	185-56C	1.751	3.23	1.374	1.875	5.16	3.44
2105	134	215-56C	2.064	3.61	1.500	2.437	5.88	4.12
2405	GW134	245	2.376	3.77	2.061	2.500	6.12	4.06
2605	134	265-56C	2.626	4.33	1.874	2.938	7.20	4.50
3005	GW184	305	3.001	4.84	2.624	3.250	8.12	5.25
3205	214	325-143TC	3.251	5.28	2.124	3.250	8.62	5.20
3805	214	385-143TC	3.751	4.90	2.374	3.937	9.60	5.62
4205	GW214	425	4.251	6.10	2.686	4.438	10.25	6.13
4505	324	455-213TC	4.501	5.23	2.499	4.625	9.25	4.63
5205	324	525-213CT	5.168	5.98	2.624	5.375	10.75	5.06
GW6005	GW324	GW602	6.000	N/A	4.000	6.500	14.25	8.13
GW7005	GW324	GW702	7.000	N/A	4.320	7.590	14.88	7.63
GW8005	GW424	GW802	8.000	N/A	4.100	8.860	17.00	8.63
GW10005	GW454	GW1002	10.000	N/A	5.110	10.360	20.88	9.53

MODEL	E	T1	C.D.1	A1	B1	D1	WT. LBS.
1305	4.87	1.56	1.334	2.61	1.186	1.562	22
1505	5.85	1.41	1.330	2.61	1.610	1.720	26
1805	5.50	1.56	1.334	2.61	1.186	1.562	26
2105	5.87	1.56	1.334	2.61	1.186	1.562	36
2405	6.44	1.41	1.330	2.61	1.610	1.720	52
2605	6.58	1.56	1.334	2.61	1.186	1.562	48
3005	7.86	1.78	1.750	3.24	1.940	2.060	81
3205	8.09	2.06	2.064	3.61	1.500	2.437	90
3805	8.61	2.06	2.064	3.61	1.500	2.437	115
4205	9.18	1.91	2.060	3.61	2.020	2.280	135
4505	9.14	2.60	3.251	5.28	2.124	3.250	181
5205	9.89	2.60	3.251	5.28	2.124	3.250	209
GW6005	13.30	2.88	3.250	5.02	2.630	3.500	406
GW7005	12.96	2.88	3.250	5.02	2.630	3.500	482
GW8005	13.94	3.07	4.250	6.10	2.690	4.440	728
GW10005	17.05	3.60	5.250	7.50	3.630	5.120	1151

### Stock Output Bores

MINIMUM AND MAXIMUM BORE DIMENSIONS SHOWN.  
FOR ADDITIONAL STOCK OUTPUT BORE SIZES AND  
STOCK QD BUSHING KITS AVAILABLE SEE PAGE B-96.

MODEL	U (MIN.)	U (MAX.)	S	T
1305	N/A	5/8	4.50	2.25
1505	N/A	5/8	5.42	2.71
1805	15/16	1	4.81	2.41
2105	15/16	1-1/2	5.56	2.78
2405	1	1-1/2	6.00	3.00
2605	1	1-1/2	5.93	2.97
3005	1-3/16	2-3/16	7.50	3.75
3205	1-7/16	2-3/16	7.56	3.78
3805	1-7/16	2-3/16	7.56	3.78
4205	1-7/16	2-3/16	8.50	4.25
4505	QD BUSHING KIT		10.00	5.00
5205	REQUIRED		11.13	5.56
GW6005	2	3-7/16	11.50	5.75
GW7005	2-7/16	3-15/16	13.50	6.75
GW8005	3-7/16	4-7/16	14.50	7.25
GW10005	3-7/16	5-7/16	18.50	9.25

MODEL	G	I	I2	N	N2
1305	48CZ	3.46	N/A	4.36	3.87
	56C			6.63	6.50
1505	48CZ	3.46	N/A	4.36	3.87
	56C			6.63	6.50
1805	48CZ	3.46	N/A	4.36	3.87
	56C			6.63	6.50
2105	48CZ	3.46	N/A	4.36	3.87
	56C			6.63	6.50
2405	48CZ	3.46	N/A	4.36	3.87
	56C			6.63	6.50
2605	48CZ	3.46	N/A	4.36	3.87
	56C			6.63	6.50
3005	48CZ	4.09	N/A	4.36	3.87
	56C			6.63	6.50
	143TC				
3205	48CZ	4.46	N/A	4.36	3.87
	56C			6.63	6.50
	143TC				
3805	48CZ	4.46	N/A	4.36	3.87
	56C			6.63	6.50
	143TC				
4205	48CZ	4.46	N/A	4.36	3.87
	56C			6.63	6.50
	143TC				
4505	56C	6.14	N/A	6.50	6.50
	143TC				
	182TC	N/A	6.34	9.00	9.00
	213TC		6.90		
5205	56C	6.14	N/A	6.50	6.50
	143TC				
	182TC	N/A	6.34	9.00	9.00
	213TC		6.90		
GW6005	56C	6.14	N/A	6.50	6.50
	143TC				
	182TC	N/A	6.34	9.00	9.00
	213TC		6.90		
GW7005	56C	6.14	N/A	6.50	6.50
	143TC				
	182TC	N/A	6.34	9.00	9.00
	213TC		6.90		
GW8005	56C	6.45	N/A	6.50	6.50
	143TC				
	182TC	N/A	7.21	9.00	9.00
	213TC				
GW10005	56C	7.85	N/A	6.50	6.50
	143TC				
	182TC	N/A	8.61	9.00	9.00
	213TC				
	254TC	N/A	9.17		

Worm Gear Drives

B

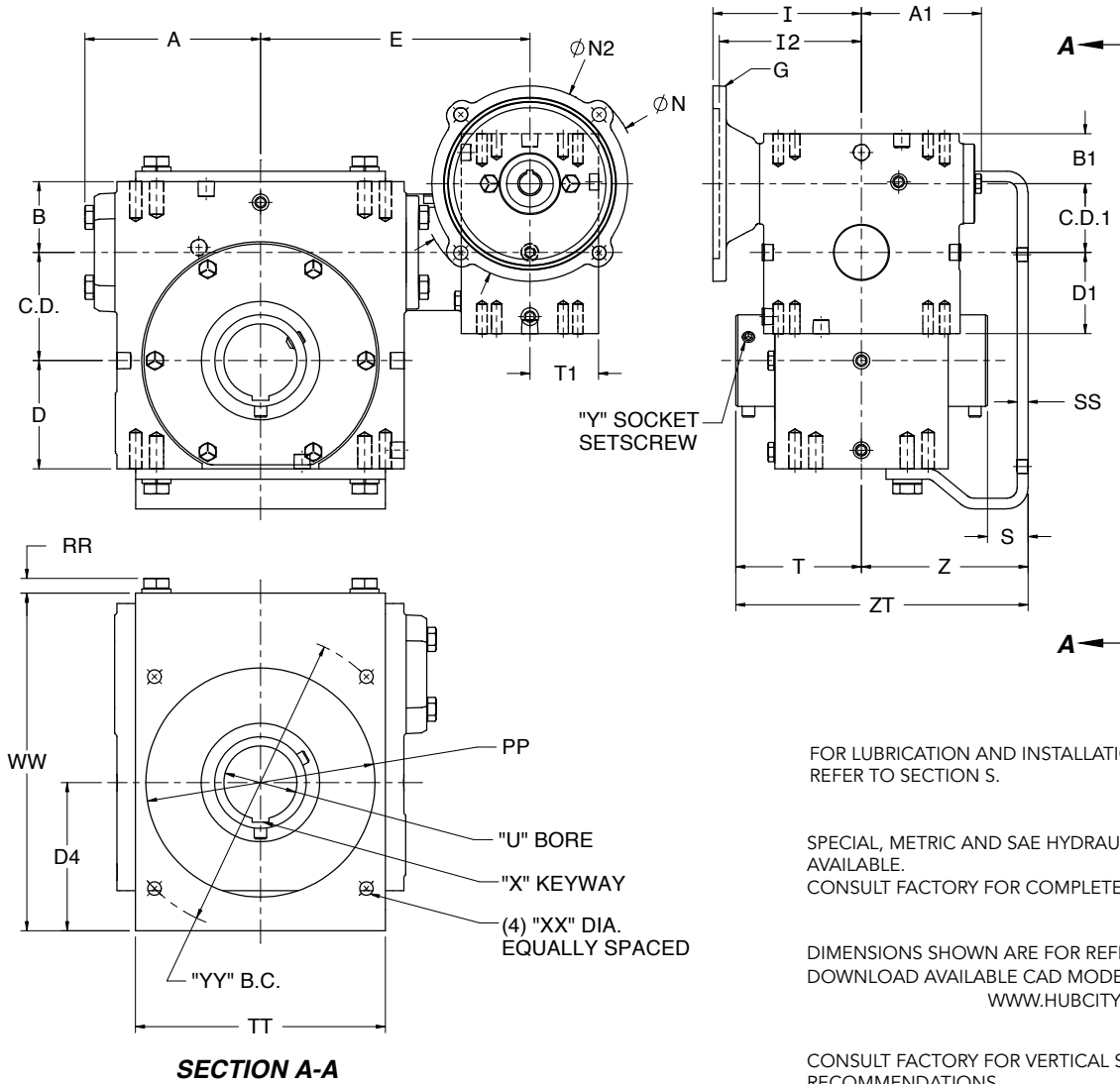


Select hollow output bore models in this product line are now available with the HubLoc® Keyless Bushing System. Refer to pages i and ii at front of this catalog for features, available sizes, and ordering information.

# Hub City Worm Gear Drives

## Double Reduction Models

1306, 1806, 2106, 2406, 2606, 3206, 3806 (STEEL BRACKET)



FOR LUBRICATION AND INSTALLATION INSTRUCTIONS REFER TO SECTION S.

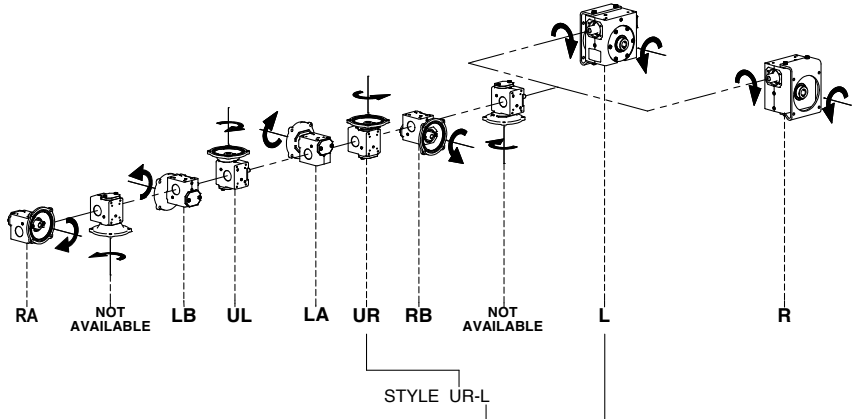
SPECIAL, METRIC AND SAE HYDRAULIC INPUT FLANGES AVAILABLE. CONSULT FACTORY FOR COMPLETE SPECIFICATIONS.

DIMENSIONS SHOWN ARE FOR REFERENCE ONLY. DOWNLOAD AVAILABLE CAD MODELS AT: [WWW.HUBCITYINC.COM](http://WWW.HUBCITYINC.COM)

CONSULT FACTORY FOR VERTICAL SHAFT LUBRICATION RECOMMENDATIONS.

INPUT SHAFT CAN BE ROTATED IN EITHER DIRECTION.

### Standard Styles Available



# Hub City Worm Gear Drives

## Double Reduction Models

### 1306, 1806, 2106, 2406, 2606, 3206, 3806 (STEEL BRACKET)

MODEL	PRIMARY	SECONDARY	C.D.	A	B	D	E	T1	C.D.1	A1	B1	D1
1306	134	136-56C	1.334	2.61	1.186	1.562	4.87	1.56	1.334	2.61	1.186	1.562
1806	134	186-56C	1.751	3.23	1.374	1.875	5.50	1.56	1.334	2.61	1.186	1.562
2106	134	216-56C	2.064	3.61	1.500	2.437	5.87	1.56	1.334	2.61	1.186	1.562
2406*	GW134	246	2.376	3.77	2.061	2.500	6.44	1.41	1.330	2.61	1.610	1.720
2606	134	266-56C	2.626	4.33	1.874	2.938	6.58	1.56	1.334	2.61	1.186	1.562
3206	214	326-143TC	3.251	5.28	2.124	3.250	8.09	2.06	2.064	3.61	1.500	2.437
3806	214	386-143TC	3.751	4.90	2.374	3.937	8.61	2.06	2.064	3.61	1.500	2.437

\* Model 2406 also available with Cast F-Flange as either an add-on kit (see page B-103) or as a special assembly (consult factory).

MODEL	PP	SS	RR	WW	D4	TT	XX	YY	WT. LBS.
1306	3.62	0.19	0.22	5.22	2.50	4.25	11/32	5.000	25
1806	4.25	0.25	0.22	6.50	3.13	4.88	11/32	5.875	29
2106	4.75	0.31	0.33	7.63	3.75	5.75	13/32	7.000	41
2406	5.00	0.25	0.33	8.30	3.61	6.00	13/32	7.500	57
2606	5.75	0.31	0.33	8.70	3.89	6.75	13/32	8.000	54
3206	6.88	0.31	0.44	10.14	4.45	7.50	13/32	9.000	99
3806	7.50	0.31	0.44	11.53	5.09	8.25	9/16	10.000	122

MODEL	G	I	I2	N	N2
1306	48CZ	3.46	N/A	4.36	3.87
	56C			6.63	6.50
1806	48CZ	3.46	N/A	4.36	3.87
	56C			6.63	6.50
2106	48CZ	3.46	N/A	4.36	3.87
	56C			6.63	6.50
2406	48CZ	3.46	N/A	4.36	3.87
	56C			6.63	6.50
2606	48CZ	3.46	N/A	4.36	3.87
	56C			6.63	6.50
3206	48CZ	4.46	N/A	4.36	3.87
	56C			6.63	6.50
	143TC				
3806	48CZ	4.46	N/A	4.36	3.87
	56C			6.63	6.50
	143TC				

### Stock Output Bores

MINIMUM AND MAXIMUM BORE DIMENSIONS SHOWN.  
FOR ADDITIONAL STOCK OUTPUT BORE SIZES  
AVAILABLE SEE PAGE B-96.

MODEL	U (MIN.)	U (MAX.)	S	T	Z	ZT
1306	N/A	5/8	0.75	2.25	3.00	5.25
1806	15/16	1	0.91	2.41	3.31	5.71
2106	15/16	1-1/2	0.85	2.78	3.63	6.41
2406	1	1-1/2	0.75	2.97	3.72	6.69
2606	1	1-1/2	0.66	2.97	3.63	6.60
3206	1-7/16	2-3/16	0.22	3.78	4.00	7.78
3806	1-7/16	2-3/16	0.72	3.78	4.50	8.28

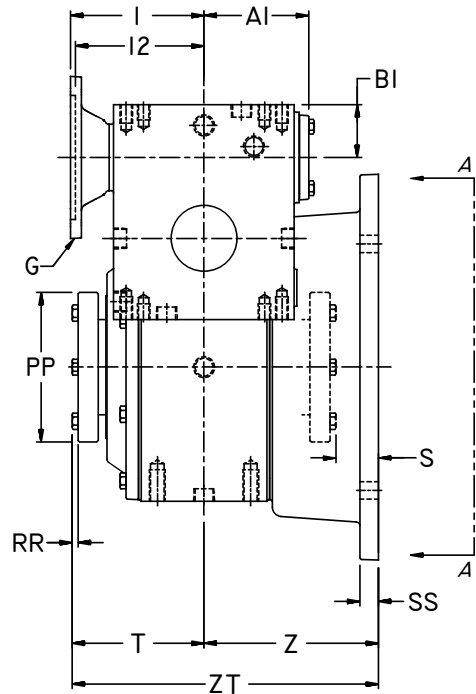
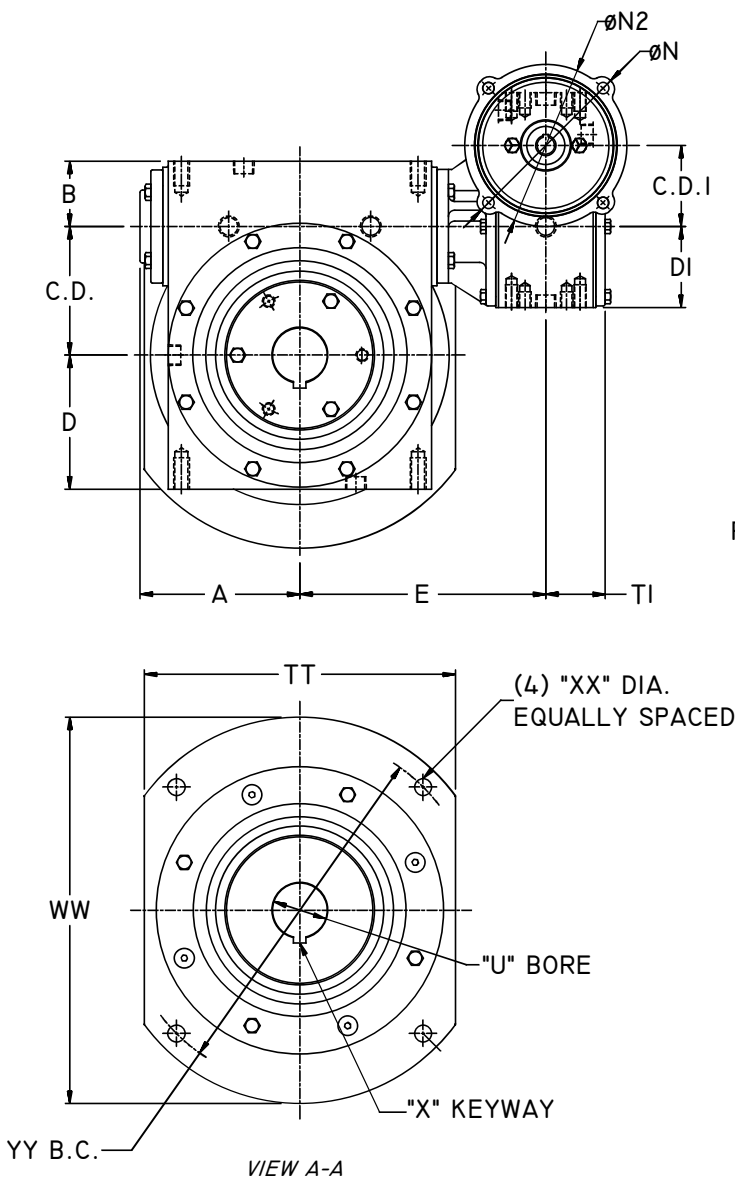


Select hollow output bore models in this product line are now available with the HubLoc® Keyless Bushing System. Refer to pages i and ii at front of this catalog for features, available sizes, and ordering information.

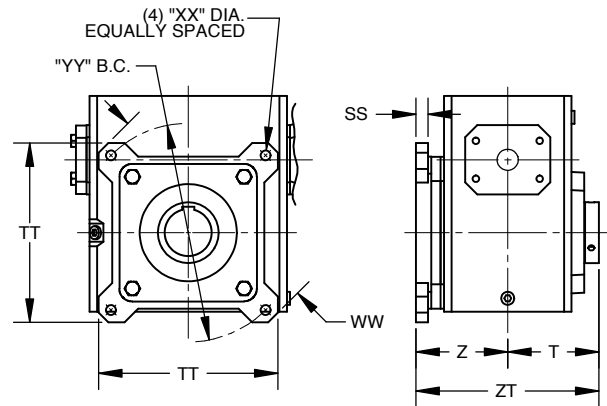
# Hub City Worm Gear Drives

## Double Reduction Models

1506, 3006, 4206, 4506, 5206 (CAST FLANGE)

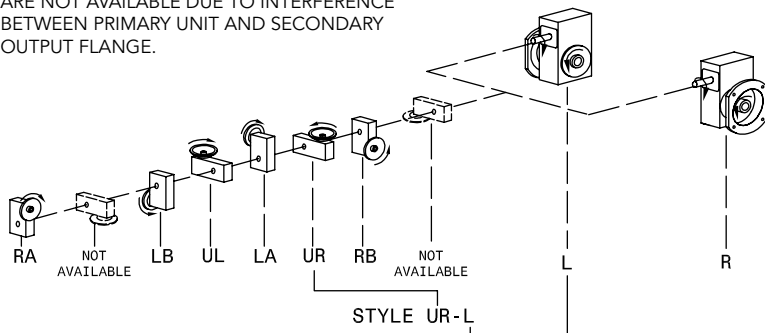


Detail for Models 1506, 3006, 4206 F-Flange



### Standard Styles Available

NOTE: STYLE "LA-L", "LB-L", "RA-R" AND "RB-R" ARE NOT AVAILABLE DUE TO INTERFERENCE BETWEEN PRIMARY UNIT AND SECONDARY OUTPUT FLANGE.



FOR LUBRICATION AND INSTALLATION INSTRUCTIONS REFER TO SECTION S.

SPECIAL, METRIC AND SAE HYDRAULIC INPUT FLANGES AVAILABLE. CONSULT FACTORY FOR COMPLETE SPECIFICATIONS.

THESE UNITS CAN BE FURNISHED WITH SOLID OUTPUT SHAFT ON SPECIAL ORDERS.

DIMENSIONS SHOWN ARE FOR REFERENCE ONLY. DOWNLOAD AVAILABLE CAD MODELS AT: [WWW.HUBCITYINC.COM](http://WWW.HUBCITYINC.COM)

CONSULT FACTORY FOR VERTICAL SHAFT LUBRICATION RECOMMENDATIONS.

INPUT SHAFT CAN BE ROTATED IN EITHER DIRECTION.

# Hub City Worm Gear Drives

## Double Reduction Models

1506, 3006, 4206, 4506, 5206 (CAST FLANGE)

MODEL	PRIMARY	SECONDARY	C.D.	A	B	D	E	T1	C.D.1	A1	B1	D1
1506	GW134	156	1.541	3.14	1.928	1.906	5.85	1.41	1.330	2.61	1.610	1.720
3006	GW184	306	3.001	4.84	2.624	3.250	7.86	1.78	1.750	3.25	1.940	2.060
4206	GW214	426	4.251	6.10	2.686	4.438	9.18	1.91	2.060	3.61	2.020	2.280
4506	324	456-213TC	4.501	5.23	2.499	4.625	9.14	2.60	3.251	5.28	2.124	3.250
5206	324	526-213TC	5.168	5.98	2.624	5.375	9.89	2.60	3.251	5.28	2.124	3.250

MODEL	SS	TT	WW	XX	YY	WT LBS.
1506	0.38	4.50	5.92	11/32	5.000	29
3006	0.50	7.37	9.89	13/32	9.000	87
4206	0.62	9.65	12.95	9/16	11.500	143
4506	0.63	12.25	14.25	11/16	13.000	189
5206	0.75	12.50	15.50	11/16	14.000	218

MODEL	G	I	I2	N	N2
1506	48CZ	3.46	N/A	4.36	3.87
	56C			6.63	6.50
3006	48CZ	4.09	N/A	4.36	3.87
	56C			6.63	6.50
	143TC				
4206	48CZ	4.46	N/A	4.36	3.87
	56C			6.63	6.50
	143TC				
4506	56C	6.14	N/A	6.50	6.50
	143TC				
	182TC	N/A	6.34	9.00	9.00
	213TC		6.90		
5206	56C	6.14	N/A	6.50	6.50
	143TC				
	182TC	N/A	6.34	9.00	9.00
	213TC		6.90		

### Stock Output Bores

MINIMUM AND MAXIMUM BORE DIMENSIONS SHOWN.  
FOR ADDITIONAL STOCK OUTPUT BORE SIZES AND  
STOCK QD BUSHING KITS AVAILABLE SEE PAGE B-96.

MODEL	U (MIN.)	U (MAX.)	S	T	Z	ZT
1506	N/A	5/8	0.16	2.71	2.94	5.65
3006	1-3/16	2-3/16	0.03	3.75	3.78	7.53
4206	1-7/16	2-3/16	0.31	4.25	4.56	8.81
4506	QD BUSHING KIT		0.75	5.00	5.75	10.75
5206	REQUIRED		1.44	5.56	7.00	12.56



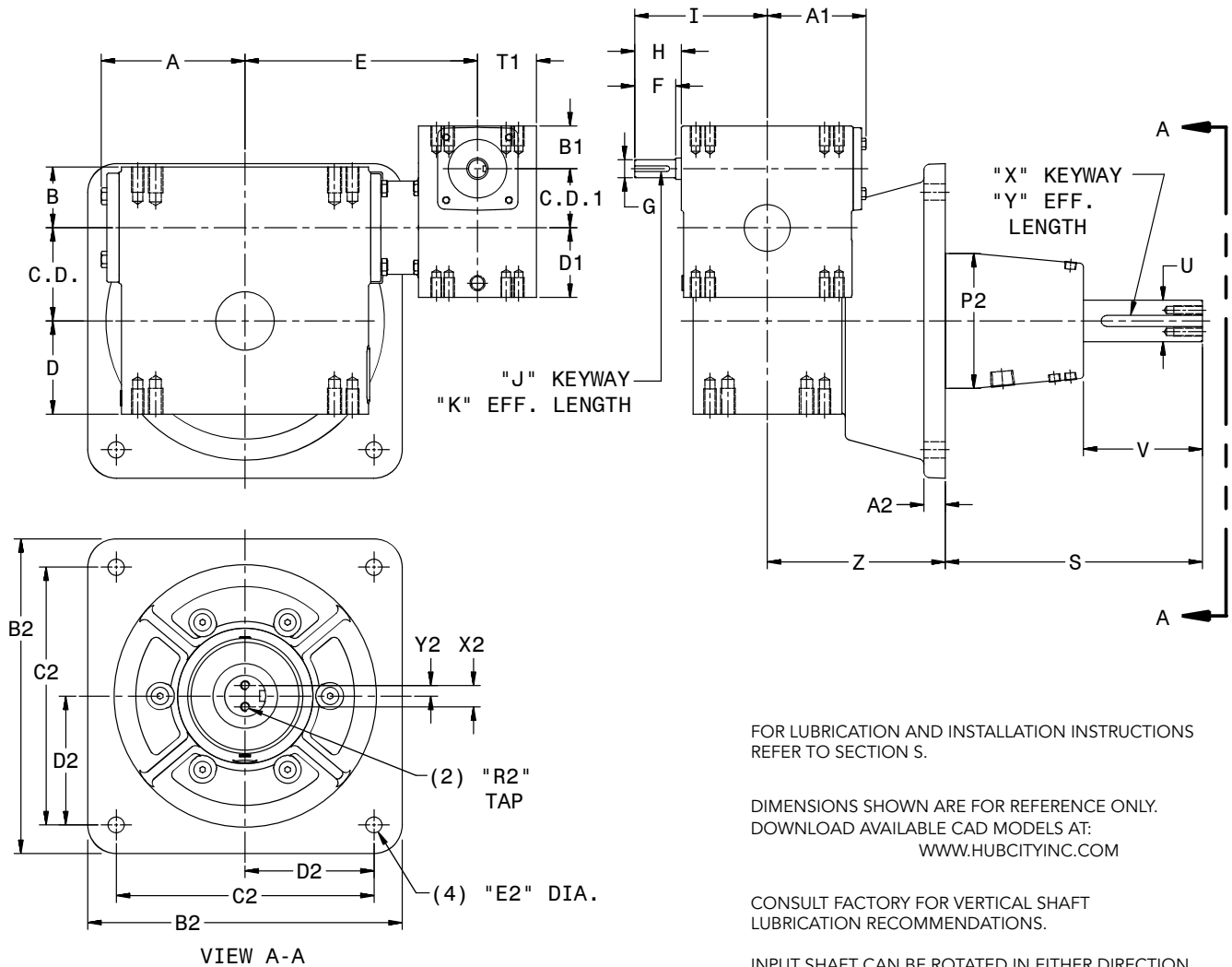
Select hollow output bore models in this product line are now available with the HubLoc® Keyless Bushing System. Refer to pages i and ii at front of this catalog for features, available sizes, and ordering information.

NOTE: Model 2406 also available with Cast F-Flange as either an add-on kit (see page B-103) or as a special assembly (consult factory).

# Hub City Worm Gear Drives

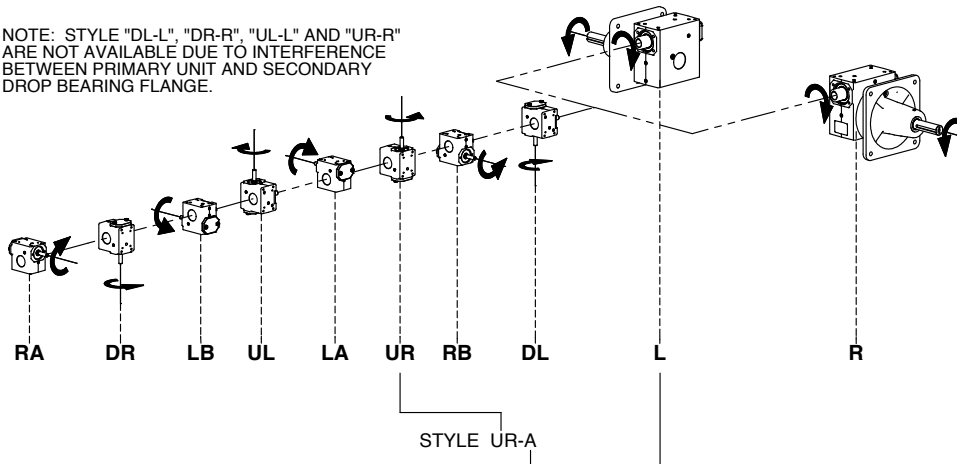
## Double Reduction Models

3007, 3207, 3807, 4207, 4507, 5207, GW6007, GW7007, GW8007, GW10007



### Standard Styles Available

NOTE: STYLE "DL-L", "DR-R", "UL-L" AND "UR-R" ARE NOT AVAILABLE DUE TO INTERFERENCE BETWEEN PRIMARY UNIT AND SECONDARY DROP BEARING FLANGE.





# Hub City Worm Gear Drives

## Double Reduction Models

3007, 3207, 3807, 4207, 4507, 5207, GW6007, GW7007, GW8007, GW10007

MODEL	PRIMARY	SECONDARY	C.D.	A	B	D	E	T1	C.D.1	A1	B1	D1
3007	GW181	308	3.001	4.84	2.624	3.250	7.86	1.78	1.750	3.24	1.940	2.06
3207	211	328-143TC	3.251	5.28	2.124	3.250	8.09	2.06	2.064	3.61	1.500	2.437
3807	211	388-143TC	3.751	4.90	2.374	3.937	8.61	2.06	2.064	3.61	1.500	2.437
4207	GW211	428	4.251	6.10	2.686	4.438	9.18	1.91	2.060	3.61	2.020	2.280
4507	321	458-213TC	4.501	5.67	2.499	4.625	9.14	2.60	3.251	5.28	2.124	3.250
5207	321	528-213TC	5.168	6.42	2.624	5.375	9.89	2.60	3.251	5.28	2.124	3.250
GW6007	GW321	GW607	6.000	N/A	4.000	6.500	13.30	2.88	3.250	5.02	2.630	3.500
GW7007	GW321	GW707	7.000	N/A	4.320	7.590	12.96	2.88	3.250	5.02	2.630	3.500
GW8007	GW421	GW807	8.000	N/A	4.100	8.860	13.94	3.07	4.250	6.10	2.690	4.440
GW10007	GW451	GW1007	10.000	N/A	5.110	10.360	17.05	3.60	5.250	7.50	3.630	5.120

MODEL	F	G	H	I	J	K
3007	N/A	.625/.6235	1.76	4.45	3/16 X 3/32	1.38
3207	N/A	.625/.6235	1.76	4.82	3/16 X 3/32 P&W	1.50
3807	N/A	.625/.6235	1.76	4.82	3/16 X 3/32 P&W	1.50
4207	N/A	.625/.6235	1.76	4.82	3/16 X 3/32	1.38
4507	N/A	.875/.8735	2.38	6.75	3/16 X 3/32 P&W	1.75
5207	N/A	.875/.8735	2.38	6.75	3/16 X 3/32 P&W	1.75
6007	N/A	.875/.8735	2.38	6.76	3/16 X 3/32 P&W	1.63
7007	N/A	.875/.8735	2.38	6.76	3/16 X 3/32 P&W	1.63
8007	N/A	1.250/1.2485	3.47	9.57	1/4 X 1/8	2.50
10007	N/A	1.250/1.2485	3.38	10.88	1/4 X 1/8	3.00

MODEL	OUTPUT FLANGE	S	U	V	X	Y	Z
3007	STD	9.78	1.438/1.4365	4.96	3/8 X 3/16	3.88	4.60
3207	STD	9.50	1.4375/1.4365	4.68	3/8 X 3/16	3.87	6.22
	LARGE**	9.50	1.625/1.624	4.63	3/8 X 3/16	3.69	6.37
3807	STD	9.50	1.625/1.624	4.63	3/8 X 3/16	3.69	6.58
	LARGE**	10.49	1.6875/1.6865	5.49	3/8 X 3/16	4.69	6.18
4207	STD	10.76	1.688/1.6865	5.91	3/8 X 3/16	4.68	5.74
4507	STD	10.50	1.6875/1.6865	5.50	3/8 X 3/16	4.69	6.00
5207	STD	10.50	2.1875/2.1865	5.53	1/2 X 1/4	4.63	6.25
GW6007	STD	15.50	2.4375/2.4365	7.62	5/8 X 5/16	6.50	8.25
GW7007	STD	15.50	2.937	7.63	3/4 X 3/8	6.44	8.50
GW8007	STD	17.06	3.438	9.25	7/8 X 7/16	8.00	10.00
GW10007	STD	17.00	3.938	9.43	1 X 1/2	7.75	12.50

\* LARGE FLANGE AVAILABLE AS MODIFIED STANDARD. CONSULT FACTORY.

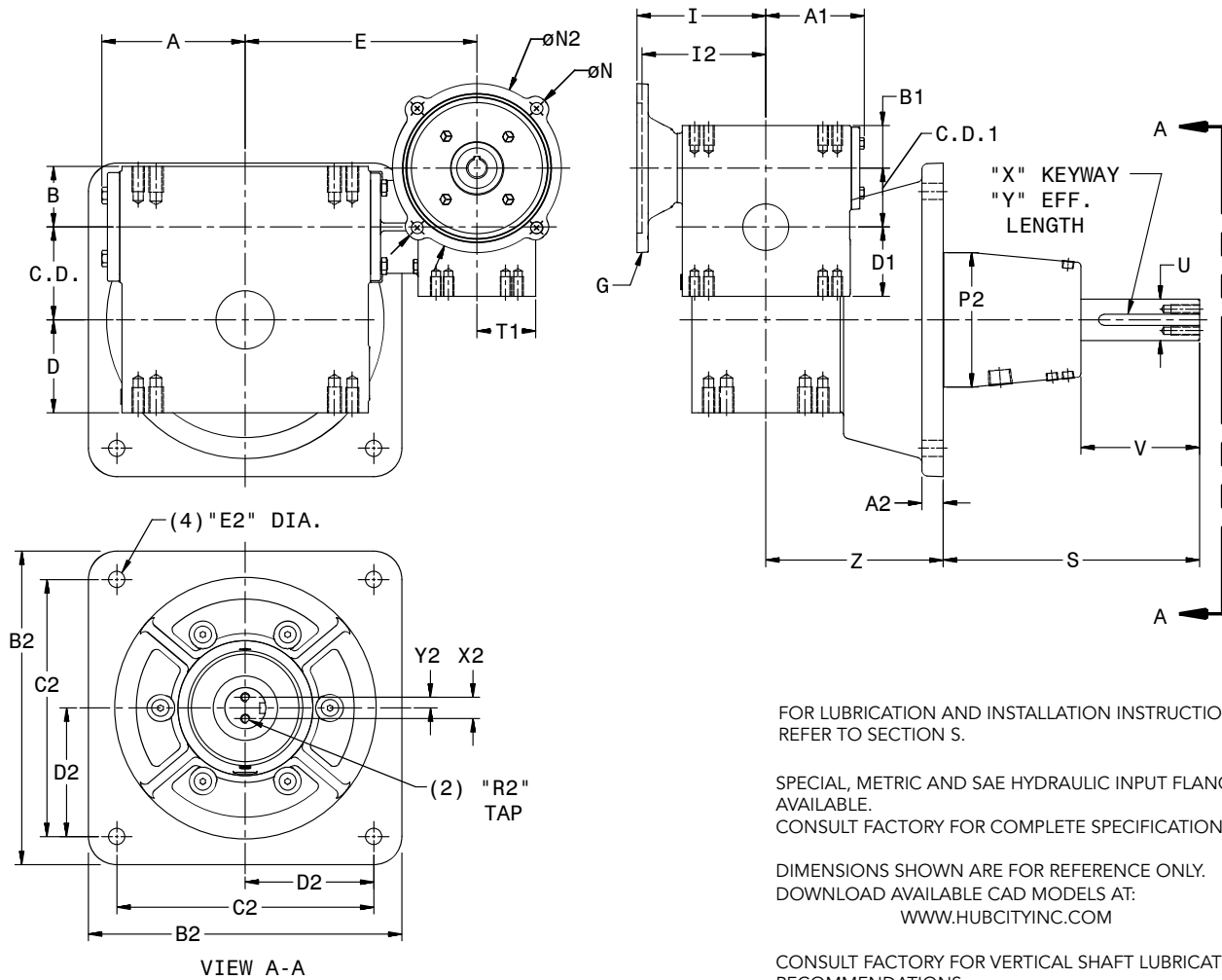
MODEL	OUTPUT FLANGE	A2	B2	C2	D2	E2	P2	R2	X2	Y2	WT. LBS.
3007	STD	0.78	11.00	9.000	4.500	9/16	5.12	5/16 NC X 1.00 DP	0.75	0.38	130
3207	STD	0.75	11.00	9.000	4.500	9/16	4.75	5/16 NC X 1.00 DP	0.75	0.38	130
	LARGE**	0.94	12.50	10.500	5.250	9/16	4.94	5/16 NC X 1.00 DP	0.75	0.38	
3807	STD	0.94	12.50	10.500	5.250	9/16	4.94	5/16 NC X 1.00 DP	0.75	0.38	159
	LARGE**	1.07	14.00	12.000	6.000	11/16	5.52	3/8 NC X 1.00 DP	1.00	0.50	
4207	STD	1.00	14.00	12.000	6.000	11/16	6.75	3/8 NC X 1.00 DP	1.00	0.50	176
4507	STD	0.81	14.00	12.000	6.000	11/16	5.50	3/8 NC X 1.00 DP	1.00	0.50	246
5207	STD	0.84	16.00	14.000	7.000	13/16	6.63	3/8 NC X 1.00 DP	1.50	0.75	294
GW6007	STD	1.25	19.50	17.000	8.500	15/16	8.50	3/8 NC X 1.00 DP	1.50	0.75	444
GW7007	STD	1.75	22.00	19.000	9.500	1 1/8	10.75	3/8 NC X 1.00 DP	2.00	1.00	643
GW8007	STD	2.00	28.00	24.000	12.000	1 5/16	13.75	5/8 NC X 1.50 DP	2.12	1.06	920
GW10007	STD	2.25	32.00	28.000	14.000	1 5/16	17.00	5/8 NC X 1.50 DP	2.38	1.19	1406

\* LARGE FLANGE AVAILABLE AS MODIFIED STANDARD. CONSULT FACTORY.

# Hub City Worm Gear Drives

## Double Reduction Models

3008, 3208, 3808, 4208, 4508, 5208, GW6008, GW7008, GW8008, GW10008



FOR LUBRICATION AND INSTALLATION INSTRUCTIONS REFER TO SECTION S.

SPECIAL, METRIC AND SAE HYDRAULIC INPUT FLANGES AVAILABLE.  
CONSULT FACTORY FOR COMPLETE SPECIFICATIONS.

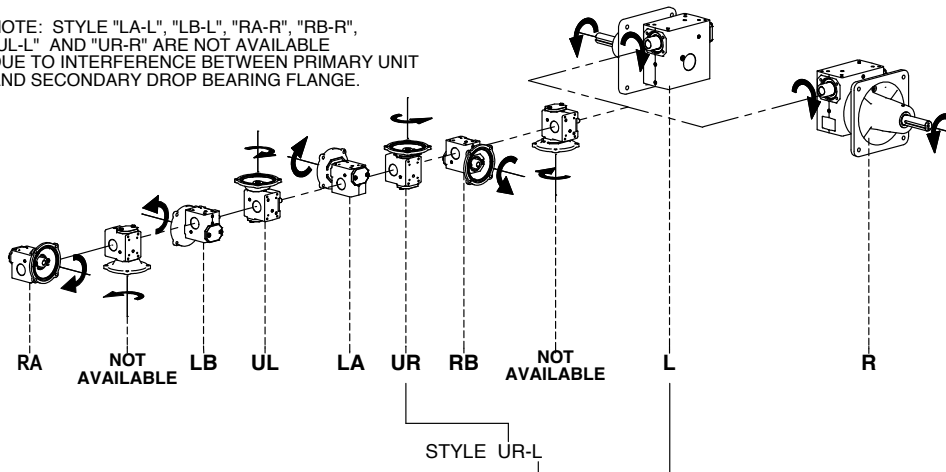
DIMENSIONS SHOWN ARE FOR REFERENCE ONLY.  
DOWNLOAD AVAILABLE CAD MODELS AT:  
[WWW.HUBCITYINC.COM](http://WWW.HUBCITYINC.COM)

CONSULT FACTORY FOR VERTICAL SHAFT LUBRICATION RECOMMENDATIONS.

INPUT SHAFT CAN BE ROTATED IN EITHER DIRECTION.

### Standard Styles Available

NOTE: STYLE "LA-L", "LB-L", "RA-R", "RB-R", "UL-L" AND "UR-R" ARE NOT AVAILABLE DUE TO INTERFERENCE BETWEEN PRIMARY UNIT AND SECONDARY DROP BEARING FLANGE.



# Hub City Worm Gear Drives

## Double Reduction Models

3008, 3208, 3808, 4208, 4508, 5208, GW6008, GW7008, GW8008, GW10008

MODEL	PRIMARY	SECONDARY	C.D.	A	B	D	E	T1	C.D.1	A1	B1	D1
3008	GW184	308	3.001	4.84	2.624	3.250	7.86	1.78	1.750	3.24	1.940	2.06
3208	214	328-143TC	3.251	5.28	2.124	3.250	8.09	2.06	2.064	3.61	1.500	2.437
3808	214	388-143TC	3.751	4.90	2.374	3.937	8.61	2.06	2.064	3.61	1.500	2.437
4208	GW214	428	4.251	6.10	2.686	4.438	9.18	1.91	2.060	3.61	2.020	2.280
4508	324	458-213TC	4.501	5.67	2.499	4.625	9.14	2.60	3.251	5.28	2.124	3.250
5208	324	528-213TC	5.168	6.42	2.624	5.375	9.89	2.60	3.251	5.28	2.124	3.250
GW6008	GW324	GW607	6.000	N/A	4.000	6.500	13.30	2.88	3.250	5.02	2.630	3.500
GW7008	GW324	GW707	7.000	N/A	4.320	7.590	12.96	2.88	3.250	5.02	2.630	3.500
GW8008	GW424	GW807	8.000	N/A	4.100	8.860	13.94	3.07	4.250	6.10	2.690	4.440
GW10008	GW454	GW1007	10.000	N/A	5.110	10.360	17.05	3.60	5.250	7.50	3.630	5.120

MODEL	OUTPUT FLANGE	S	U	V	X	Y	Z
3008	STD	9.78	1.438/1.4365	4.96	3/8 X 3/16	3.88	4.60
3208	STD	9.50	1.4375/1.4365	4.68	3/8 X 3/16	3.87	6.22
	LARGE**	9.50	1.625/1.624	4.63	3/8 X 3/16	3.69	6.37
3808	STD	9.50	1.625/1.624	4.63	3/8 X 3/16	3.69	6.58
	LARGE**	10.49	1.6875/1.6865	5.49	3/8 X 3/16	4.69	6.18
4208	STD	10.76	1.688/1.6865	5.91	3/8 X 3/16	4.68	5.74
4508	STD	10.50	1.6875/1.6865	5.50	3/8 X 3/16	4.69	6.00
5208	STD	10.50	2.1875/2.1865	5.53	1/2 X 1/4	4.63	6.25
GW6008	STD	15.50	2.4375/2.4365	7.62	5/8 X 5/16	6.50	8.25
GW7008	STD	15.50	2.937	7.63	3/4 X 3/8	6.44	8.50
GW8008	STD	17.06	3.438	9.25	7/8 X 7/16	8.00	10.00
GW10008	STD	17.00	3.938	9.43	1 X 1/2	7.75	12.50

\*\* LARGE FLANGE AVAILABLE AS MODIFIED STANDARD. CONSULT FACTORY.

MODEL	OUTPUT FLANGE	A2	B2	C2	D2	E2	P2	R2	X2	Y2	WT. LBS.
3008	STD	0.78	11.00	9.000	4.500	9/16	5.12	5/16 NC X 1.00 DP	0.75	0.38	132
3208	STD	0.75	11.00	9.000	4.500	9/16	4.75	5/16 NC X 1.00 DP	0.75	0.38	132
	LARGE**	0.94	12.50	10.500	5.250	9/16	4.94	5/16 NC X 1.00 DP	0.75	0.38	
3808	STD	0.94	12.50	10.500	5.250	9/16	4.94	5/16 NC X 1.00 DP	0.75	0.38	161
	LARGE**	1.07	14.00	12.000	6.000	11/16	5.52	3/8 NC X 1.00 DP	1.00	0.50	
4208	STD	1.00	14.00	12.000	6.000	11/16	6.75	3/8 NC X 1.00 DP	1.00	0.50	180
4508	STD	0.81	14.00	12.000	6.000	11/16	5.50	3/8 NC X 1.00 DP	1.00	0.50	250
5208	STD	0.84	16.00	14.000	7.000	13/16	6.63	3/8 NC X 1.00 DP	1.50	0.75	298
GW6008	STD	1.25	16.50	17.000	8.500	15/16	8.50	3/8 NC X 1.00 DP	1.50	0.75	448
GW7008	STD	1.75	22.00	19.000	9.500	1 1/8	10.75	3/8 NC X 1.00 DP	2.00	1.00	647
GW8008	STD	2.00	28.00	24.000	12.000	1 5/16	13.75	5/8 NC X 1.50 DP	2.12	1.06	930
GW10008	STD	2.25	32.00	28.000	14.000	1 5/16	17.00	5/8 NC X 1.50 DP	2.38	1.19	1431

\*\* LARGE FLANGE AVAILABLE AS MODIFIED STANDARD. CONSULT FACTORY.

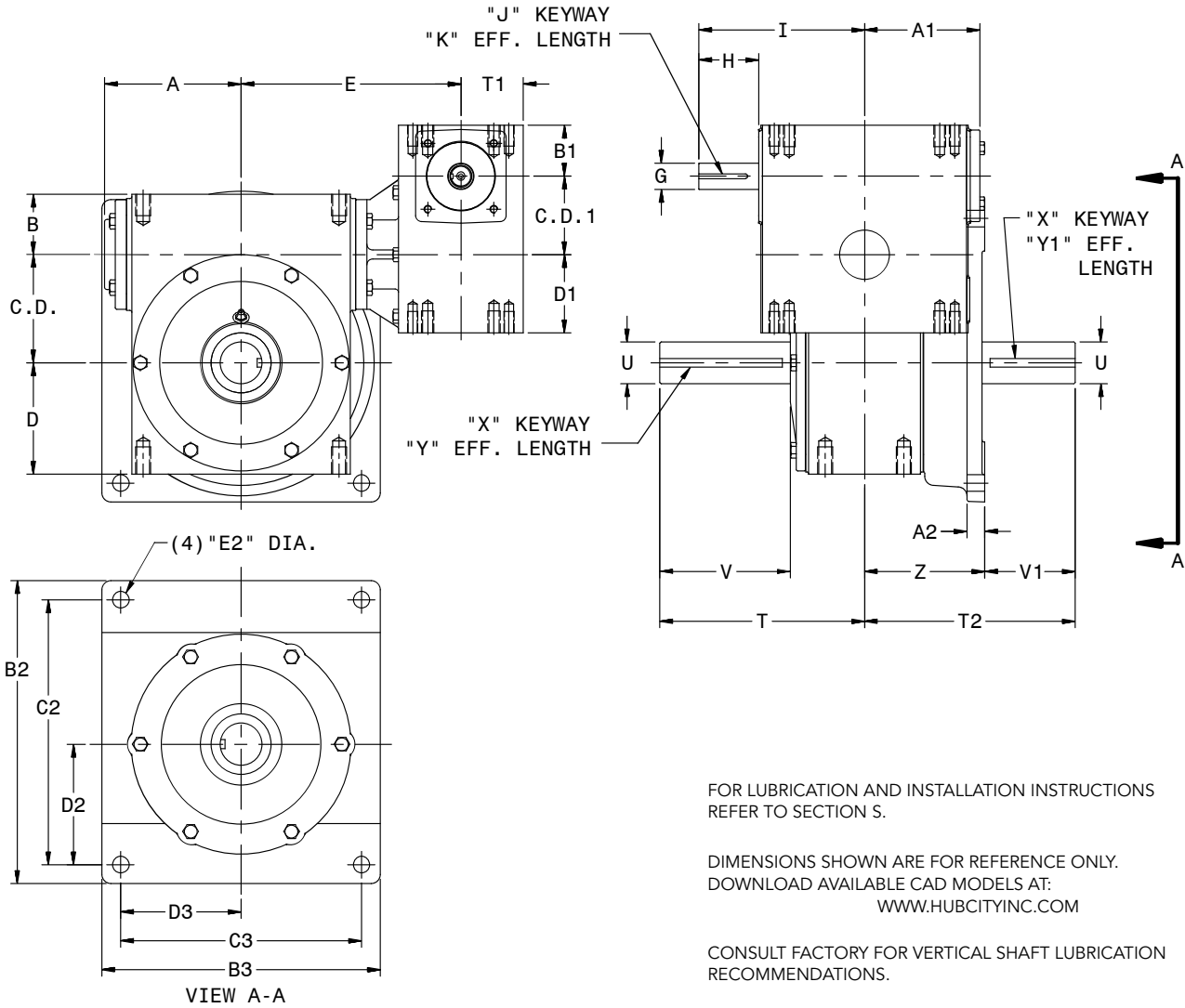
MODEL	G	I	I2	N	N2
3008	48CZ	4.09	N/A	4.36	3.87
	56C			6.63	6.50
	143TC				
3208	48CZ	4.46	N/A	4.36	3.87
	56C			6.63	6.50
	143TC				
3808	48CZ	4.46	N/A	4.36	3.87
	56C			6.63	6.50
	143TC				
4208	48CZ	4.46	N/A	4.36	3.87
	56C			6.63	6.50
	143TC				
4508	56C	6.14	N/A	6.50	6.50
	143TC				
	182TC	N/A	6.34	9.00	9.00
213TC	6.90				
5208	56C	6.14	N/A	6.50	6.50
	143TC				
	182TC	N/A	6.34	9.00	9.00
	213TC		6.90		

MODEL	G	I	I2	N	N2
GW6008	56C	6.14	N/A	6.50	6.50
	143TC				
	182TC	N/A	6.34	9.00	9.00
	213TC		6.90		
GW7008	56C	6.14	N/A	6.50	6.50
	143TC				
	182TC	N/A	6.34	9.00	9.00
	213TC		6.90		
GW8008	56C	6.45	N/A	6.50	6.50
	143TC				
	182TC	N/A	7.21	9.00	9.00
	213TC		7.77		
GW10008	56C	7.85	N/A	6.50	6.50
	143TC				
	182TC	N/A	8.61	9.00	9.00
	254TC		9.17		

# Hub City Worm Gear Drives

## Double Reduction Models

4509, 5209



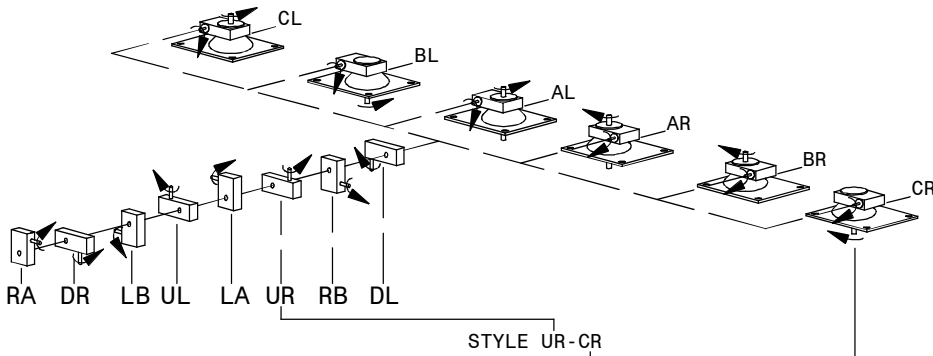
FOR LUBRICATION AND INSTALLATION INSTRUCTIONS REFER TO SECTION S.

DIMENSIONS SHOWN ARE FOR REFERENCE ONLY.  
 DOWNLOAD AVAILABLE CAD MODELS AT:  
[WWW.HUBCITYINC.COM](http://WWW.HUBCITYINC.COM)

CONSULT FACTORY FOR VERTICAL SHAFT LUBRICATION RECOMMENDATIONS.

INPUT SHAFT CAN BE ROTATED IN EITHER DIRECTION.

### Standard Styles Available



# Hub City Worm Gear Drives

## Double Reduction Models

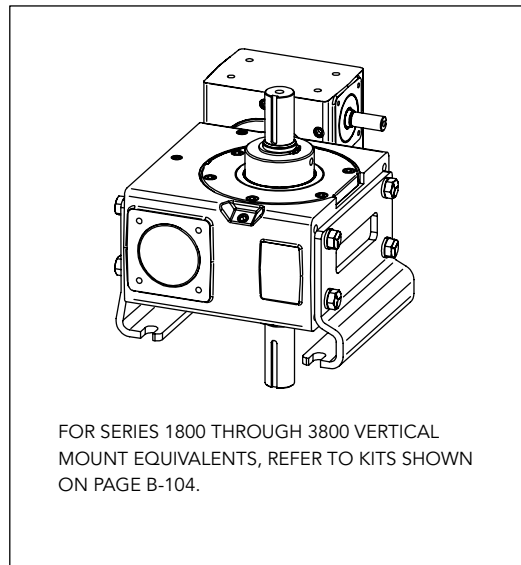
4509, 5209

MODEL	PRIMARY	SECONDARY	C.D.	A	B	D	E	C.D.1	A1	B1	D1	T1
4509	321	450V-213TC	4.501	5.67	2.499	4.625	9.14	3.251	5.28	2.124	3.250	2.60
5209	321	520V-213TC	5.168	6.42	2.624	5.375	9.89	3.251	5.28	2.124	3.250	2.60

MODEL	G	H	I	J	K
4509	.875/.8735	2.38	6.75	3/16 X 3/32 P&W	1.75
5209	.875/.8735	2.38	6.75	3/16 X 3/32 P&W	1.75

MODEL	T	T2	U	V	V1	X	Y	Y1	Z
4509	8.50	8.75	1.750/1.749	5.43	3.75	3/8 X 3/16	4.59	3.03	5.00
5209	9.00	9.75	2.000/1.999	5.66	4.25	1/2 X 1/4	4.88	3.50	5.50

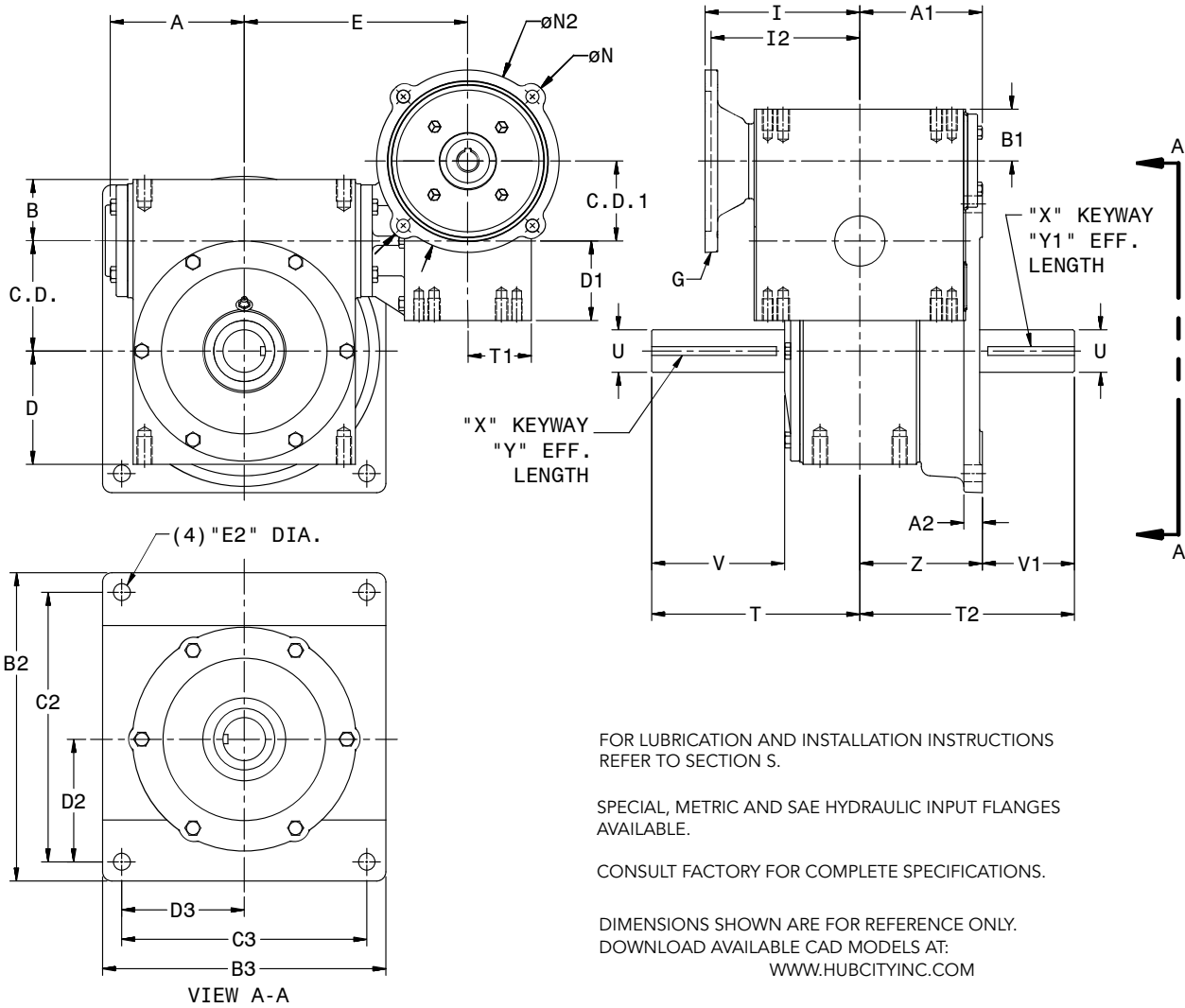
MODEL	A2	B2	B3	C2	C3	D2	D3	E2	WT. LBS.
4509	0.75	12.58	11.58	11.000	10.000	5.000	5.000	11/16	183
5209	0.75	16.83	12.58	15.250	11.000	6.750	5.500	11/16	212



# Hub City Worm Gear Drives

## Double Reduction Models

4510, 5210



FOR LUBRICATION AND INSTALLATION INSTRUCTIONS REFER TO SECTION S.

SPECIAL, METRIC AND SAE HYDRAULIC INPUT FLANGES AVAILABLE.

CONSULT FACTORY FOR COMPLETE SPECIFICATIONS.

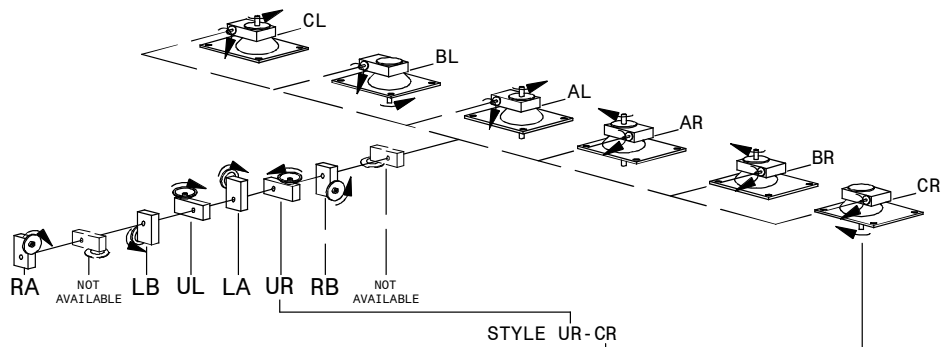
DIMENSIONS SHOWN ARE FOR REFERENCE ONLY.  
 DOWNLOAD AVAILABLE CAD MODELS AT:  
[WWW.HUBCITYINC.COM](http://WWW.HUBCITYINC.COM)

CONSULT FACTORY FOR VERTICAL SHAFT LUBRICATION RECOMMENDATIONS.  
 INPUT SHAFT CAN BE ROTATED IN EITHER DIRECTION.

### Standard Styles Available

PRIMARY STYLES LB & LA NOT AVAILABLE WITH SECONDARY STYLES AR, BR, OR CR.

PRIMARY STYLES RA & RB NOT AVAILABLE WITH SECONDARY STYLES AL, BL, OR CL.



# Hub City Worm Gear Drives

## Double Reduction Models

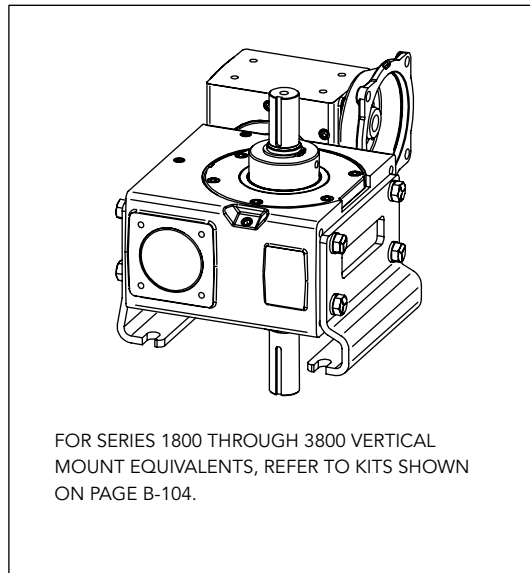
### 4510, 5210

MODEL	PRIMARY	SECONDARY	C.D.	A	B	D	E	C.D.1	A1	B1	D1	T1
4510	324	450V-213TC	4.501	5.67	2.499	4.625	9.14	3.251	5.28	2.124	3.250	2.60
5210	324	520V-213TC	5.168	6.42	2.624	5.375	9.89	3.251	5.28	2.124	3.250	2.60

MODEL	G	I	I2	N	N2
4510	56C	6.14	N/A	6.50	6.50
	143TC				
	182TC	N/A	6.34	9.00	9.00
	213TC				
5210	56C	6.14	N/A	6.50	6.50
	143TC				
	182TC	N/A	6.34	9.00	9.00
	213TC				

MODEL	T	T2	U	V	V1	X	Y	Y1	Z
4510	8.50	8.75	1.750/1.749	5.43	3.75	3/8 X 3/16	4.59	3.03	5.00
5210	9.00	9.75	2.000/1.999	5.66	4.25	1/2 X 1/4	4.88	3.50	5.50

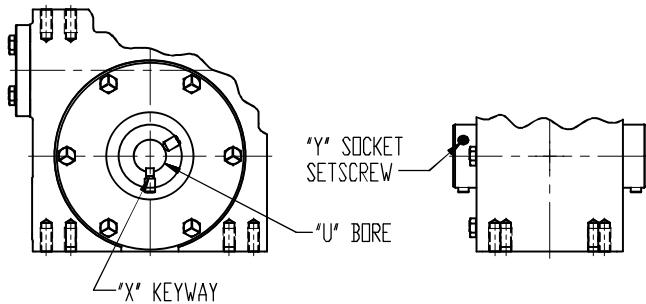
MODEL	A2	B2	B3	C2	C3	D2	D3	E2	WT. LBS.
4510	0.75	12.58	11.58	11.000	10.000	5.000	5.000	11/16	189
5210	0.75	16.83	12.58	15.250	11.000	6.750	5.500	11/16	218



# Hub City Worm Gear Drives

## Stock Output Bore Sizes and QD Bushing Kits

### Stock Output Bore Detail



### Stock Output Bores (cont'd)

SERIES	U	X	KEY FURNISHED	Y
320 & 3200	1-7/16	3/8 X 3/16	3/8 SQ	3/8 NC X 3/4 LG
	1-15/16	1/2 X 1/4	1/2 SQ	3/8 NC X 3/4 LG
	2	1/2 X 1/4	1/2 SQ	3/8 NC X 5/8 LG
	2-3/16 (MAX.)	1/2 X 1/8	1/2 X 3/8	3/8 NC X 1/2 LG
380 & 3800	1-7/16	3/8 X 3/16	3/8 SQ	3/8 NC X 5/8 LG
	1-15/16	1/2 X 1/4	1/2 X 3/8	3/8 NC X 3/8 LG
	2	1/2 X 1/4	1/2 X 3/8	3/8 NC X 3/8 LG
	2-3/16 (MAX.)	1/2 X 1/8	1/2 X 3/8	3/8 NC X 3/8 LG
W420 & W4200	1-7/16	3/8 X 3/16	3/8 SQ	5/16 NC X 1/4 LG
	1-1/2	3/8 X 3/16	3/8 SQ	5/16 NC X 1/4 LG
	1-5/8	3/8 X 3/16	3/8 SQ	5/16 NC X 1/4 LG
	1-11/16	3/8 X 3/16	3/8 SQ	5/16 NC X 1/4 LG
	1-3/4	3/8 X 3/16	3/8 SQ	5/16 NC X 1/4 LG
	1-7/8	1/2 X 1/4	1/2 SQ	5/16 NC X 1/4 LG
	1-15/16	1/2 X 1/4	1/2 SQ	5/16 NC X 1/4 LG
	2	1/2 X 1/4	1/2 SQ	5/16 NC X 1/4 LG
	2-3/16 (MAX.)	1/2 X 1/4	1/2 SQ	5/16 NC X 1/4 LG
	2	1/2 X 1/4	NO	1/2 NC X 3/4 LG
GW60 & GW60D	2-3/16	1/2 X 1/4	NO	1/2 NC X 3/4 LG
	2-1/2	5/8 X 5/16	NO	1/2 NC X 3/4 LG
	2-11/16	5/8 X 5/16	NO	1/2 NC X 3/4 LG
	2-15/16	3/4 X 3/8	NO	1/2 NC X 3/4 LG
	3	3/4 X 3/8	NO	1/2 NC X 3/4 LG
	3-3/16	3/4 X 3/8	NO	1/2 NC X 3/4 LG
	3-7/16 (MAX.)	7/8 X 1/4	NO	1/2 NC X 3/4 LG
GW70 & GW70D	2-7/16	5/8 X 5/16	NO	1/2 NC X 1/2 LG
	2-1/2	5/8 X 5/16	NO	1/2 NC X 1/2 LG
	2-11/16	5/8 X 5/16	NO	1/2 NC X 1/2 LG
	2-15/16	3/4 X 3/8	NO	1/2 NC X 1/2 LG
	3	3/4 X 3/8	NO	1/2 NC X 1/2 LG
	3-7/16	7/8 X 1/4	NO	1/2 NC X 1/2 LG
GW80 & GW80D	3-15/16 (MAX.)	1 X 1/4	1 X 3/4	1/2 NC X 1/2 LG
	3-7/16	7/8 X 7/16	NO	1/2 NC X 1/2 LG
	3-15/16	7/8 X 7/16	NO	1/2 NC X 1/2 LG
	4-3/16	1 X 1/2	NO	1/2 NC X 1/2 LG
GW100 & GW100D	4-7/16 (MAX.)	1 X 1/4	1 X 3/4	1/2 NC X 1/2 LG
	3-7/16	7/8 X 7/16	NO	5/8 NC X 5/8 LG
	3-15/16	7/8 X 7/16	NO	5/8 NC X 5/8 LG
	4-7/16	1 X 1/2	NO	5/8 NC X 5/8 LG
	3-15/16	1-1/4 X 5/8	NO	5/8 NC X 5/8 LG
	5-7/16 (MAX.)	1-1/4 X 5/16	1-1/4 X 15/16	5/8 NC X 5/8 LG

BORE TOLERANCE NOMINAL +.002

DIMENSIONS SHOWN ARE FOR REFERENCE ONLY.  
 DOWNLOAD AVAILABLE CAD MODELS AT: WWW.HUBCITYINC.COM

### Stock Output Bores

SERIES	U	X	KEY FURNISHED	Y
130 & 1300	5/8 (MAX.)	3/16 X 3/32	3/16 SQ	10-24 NC X 1/4 LG
W150 & W1500	5/8 (MAX.)	3/16 X 3/32	3/16 SQ	10-24 NC X 1/4 LG
180 & 1800	15/16	1/4 X 1/8	1/4 SQ	10-24 NC X 3/8 LG
	1 (MAX.)	1/4 X 1/8	1/4 SQ	10-24 NC X 3/8 LG
210 & 2100	15/16	1/4 X 1/8	1/4 SQ	5/16 NC X 1/2 LG
	1	1/4 X 1/8	1/4 SQ	5/16 NC X 1/2 LG
	1-3/16	1/4 X 1/8	1/4 SQ	5/16 NC X 3/8 LG
	1-1/4	1/4 X 1/8	1/4 SQ	1/4 NC X 3/8 LG
	1-7/16	3/8 X 1/8	3/8 X 5/16	1/4 NC X 3/8 LG
	1-1/2 (MAX.)	3/8 X 1/8	3/8 X 5/16	1/4 NC X 3/8 LG
W240 & W2400	1	1/4 X 1/8	1/4 SQ	1/4 NC X 1/4 LG
	1-1/8	1/4 X 1/8	1/4 SQ	1/4 NC X 1/4 LG
	1-3/16	1/4 X 1/8	1/4 SQ	1/4 NC X 1/4 LG
	1-1/4	1/4 X 1/8	1/4 SQ	1/4 NC X 1/4 LG
	1-7/16	3/8 X 1/8	3/8 X 5/16	1/4 NC X 1/4 LG
260 & 2600	1-1/2 (MAX.)	3/8 X 1/8	3/8 X 5/16	1/4 NC X 1/4 LG
	1	1/4 X 1/8	1/4 SQ	5/16 NC X 1/2 LG
	1-3/16	1/4 X 1/8	1/4 SQ	5/16 NC X 3/8 LG
	1-1/4	1/4 X 1/8	1/4 SQ	5/16 NC X 3/8 LG
300 & 3000	1-7/16	3/8 X 1/8	3/8 X 5/16	1/4 NC X 3/8 LG
	1-1/2 (MAX.)	3/8 X 1/8	3/8 X 5/16	1/4 NC X 3/8 LG
	1-3/16	1/4 X 1/8	1/4 SQ	5/16 NC X 1/4 LG
	1-1/4	1/4 X 1/8	1/4 SQ	5/16 NC X 1/4 LG
	1-7/16	3/8 X 3/16	3/8 SQ	5/16 NC X 1/4 LG
	1-1/2	3/8 X 3/16	3/8 SQ	5/16 NC X 1/4 LG
	1-5/8	3/8 X 3/16	3/8 SQ	5/16 NC X 1/4 LG
	1-11/16	3/8 X 3/16	3/8 SQ	5/16 NC X 1/4 LG
	1-3/4	3/8 X 3/16	3/8 SQ	5/16 NC X 1/4 LG
	1-7/8	1/2 X 1/4	1/2 SQ	5/16 NC X 1/4 LG
300 & 3000	1-15/16	1/2 X 1/4	1/2 SQ	5/16 NC X 1/4 LG
	2	1/2 X 1/4	1/2 SQ	5/16 NC X 1/4 LG
	2-3/16 (MAX.)	1/2 X 1/4	1/2 SQ	5/16 NC X 1/4 LG

### QD Bushing Bores

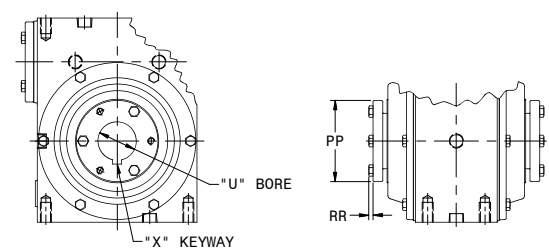
SERIES	U	X	PP	RR	KEY FURNISHED	TYPE	KIT **		
450 & 4500	1-15/16	1/2 X 1/4	4-5/8	3/8	1/2 Sq.	SF	0229-02683		
	2						0229-02684		
	2-3/16	0229-02685							
	2-7/16	5/8 X 3/16					0229-02686		
520 & 5200	2-15/16	3/4 X 1/32	6	7/16	3/4 X 13/32	E	0229-02687		
	2-3/16	1/2 X 1/4			1/2 Sq.		0229-02688		
	2-7/16	5/8 X 3/16			5/8 Sq.		0229-02689		
	2-15/16	3/4 X 1/8			3/4 X 1/2		0229-02690		
	3						0229-02691		
	3-3/16						0229-02692		
		3-7/16			7/8 X 1/16			7/8 X 1/2	0229-02693

BORE TOLERANCE NOMINAL +.002

\*\* ORDERED BY QD BUSHING KIT NUMBER.

BUSHING KITS ARE NOT INCLUDED IN REDUCER PRICE KIT INCLUDES TWO BUSHINGS WITH KEYWAYS AND ONE KEY.

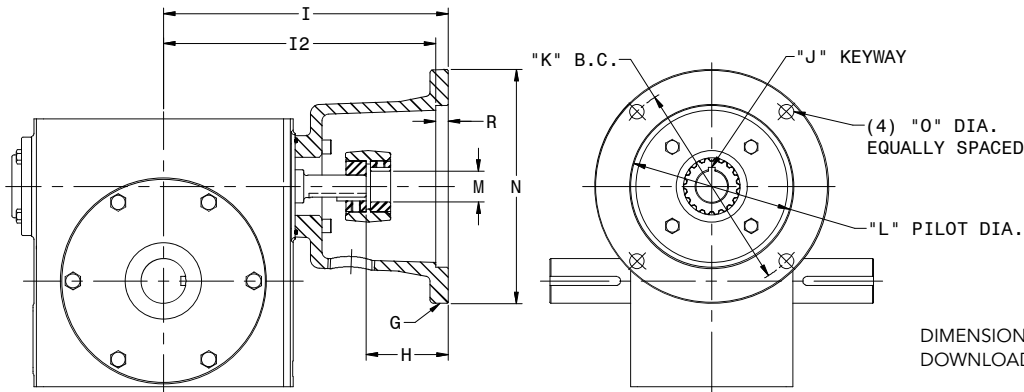
### QD Bushing Detail





# Hub City Worm Gear Drives

## Accessories & Options NEMA C-Flange Adaptor Kits



DIMENSIONS SHOWN ARE FOR REFERENCE ONLY.  
DOWNLOAD AVAILABLE CAD MODELS AT:  
[WWW.HUBCITYINC.COM](http://WWW.HUBCITYINC.COM)

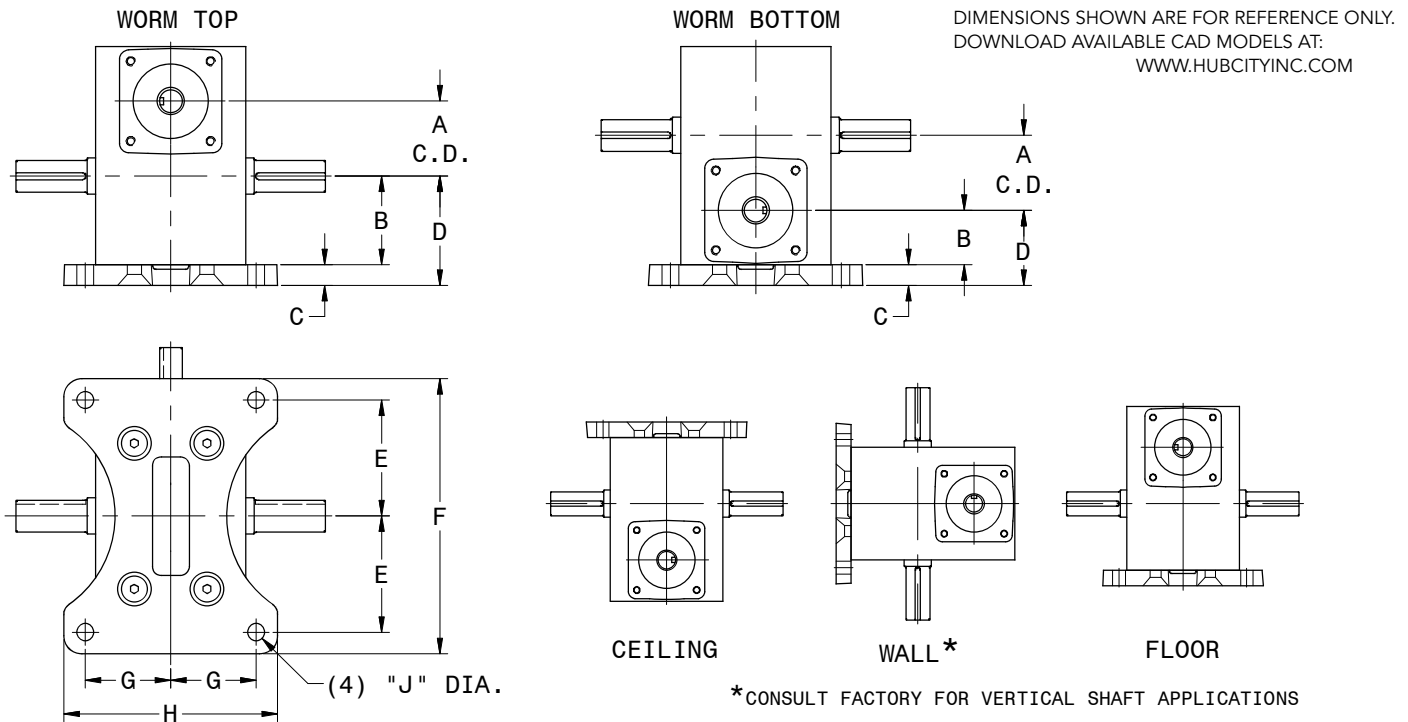
SINGLE RED. SERIES	DOUBLE RED. SERIES	G NEMA C-FLANGE	C-FLANGE KIT NUMBER	KIT SHIP. WT. LBS.	H	I	I2	J	K	L	M	N	O	R
130	1300, 1500, 1800, 2100, 2400, 2600	48CZ	0229-03223	9.4	1.81	5.63	N/A	1/8 X 1/16	3.750	3.001/3.003	0.500	4.36	9/32	0.19
		56C	0229-03227		2.25	6.07		3/16 X 3/32	5.875	4.501/4.503	0.625	6.50	13/32	
		48CZ	0229-03224		1.81	6.16		1/8 X 1/16	3.750	3.001/3.003	0.500	4.36	9/32	
W150		56C	0229-03228	9.4	2.25	6.60	N/A	3/16 X 3/32	5.875	4.501/4.503	0.625	6.50	13/32	0.19
		143TC	0229-03236								0.875			
		48CZ	0229-03225		1.81	6.25		1/8 X 1/16	3.750	3.001/3.003	0.500	4.36	9/32	
180	3000	56C	0229-03229	9.4	2.25	6.69	N/A	3/16 X 3/32	5.875	4.501/4.503	0.625	6.50	13/32	0.19
		143TC	0229-03237								0.875			
		48CZ	0229-03226		1.81	6.63		1/8 X 1/16	3.750	3.001/3.003	0.500	4.36	9/32	
210	3200, 3800, 4200	56C	0229-03230	9.4	2.25	7.07	N/A	3/16 X 3/32	5.875	4.501/4.503	0.625	6.50	13/32	0.19
		143TC	0229-03238	9.3							0.875			
		56C	0229-03231	9.4	2.25	7.76	N/A	3/16 X 3/32	5.875	4.501/4.503	0.625	6.50	13/32	0.19
W240		143TC	0229-03239	9.3							0.875			
		182TC	0229-03244	22.5	3.25	N/A	8.76	1/4 X 1/8	7.250	8.501/8.504	1.125	9.00	17/32	
		56C	0229-03232	10	2.25	8.32	N/A	3/16 X 3/32	5.875	4.501/4.503	0.625	6.50	13/32	0.19
260		143TC	0229-03240	9.9							0.875			
		182TC	0229-03245	22.5	3.25	N/A	9.32	1/4 X 1/8	7.250	8.501/8.504	1.125	9.00	17/32	
		56C	0229-03233	11.7	2.25	8.82	N/A	3/16 X 3/32	5.875	4.501/4.503	0.625	6.50	13/32	0.19
300		143TC	0229-03241	11.6							0.875			
		182TC	0229-03246	22.2	3.25	N/A	9.82	1/4 X 1/8	7.250	8.501/8.504	1.125	9.00	17/32	
		56C	0229-03234	11.7	2.25	9.00	N/A	3/16 X 3/32	5.875	4.501/4.503	0.625	6.50	13/32	0.19
320	4500, 5200, GW60D, GW70D	143TC	0229-03242	11.6							0.875			
		182TC	0229-03247	22.2	3.25	N/A	10.00	1/4 X 1/8	7.250	8.501/8.504	1.125	9.00	17/32	
		213TC	0229-03249	22.2				5/16 X 5/32			1.375			
		56C	0229-02985	11.5	2.18	9.56	N/A	3/16 X 3/32	5.875	4.501/4.503	0.625	6.50	13/32	0.20
380		143TC	0229-02986	11.4							0.875			
		182TC	0229-02987	22	3.44	N/A	10.32	1/4 X 1/8	7.250	8.501/8.504	1.125	9.00	17/32	0.50
		56C	0229-03235	11.7	2.24	11.81 <sup>^</sup>	N/A	3/16 X 3/32	5.875	4.501/4.503	0.625	6.50	13/32	0.19
W420	GW80D, GW100D	143TC	0229-03243	11.6		13.21 <sup>^</sup>	N/A				0.875			
		182TC	0229-03248	22.2	3.33			12.90 <sup>^</sup>	7.250	8.501/8.504	1.125	9.00	17/32	
		213TC	0229-03250	22.2				14.30 <sup>^</sup>			1.375			
		254TC	0229-03251	24.9	3.89			13.46 <sup>^</sup>			1.625			
								14.86 <sup>^</sup>						
		56C	0229-02893	13.9	2.44	10.88	N/A	3/16 X 3/32	5.875	4.501/4.503	0.625	6.50	13/32	0.20
450		143TC	0229-02894								0.875			
		182TC	0229-02895	22.8	3.25	N/A	11.31	1/4 X 1/8	7.250	8.501/8.504	1.125	9.00	17/32	0.38
		56C	0229-02897	15.4	2.38	11.63	N/A	3/16 X 3/32	5.875	4.501/4.503	0.625	6.50	13/32	0.20
520		143TC	0229-02898								0.875			
		182TC	0229-02899	24.9	3.19	N/A	12.06	1/4 X 1/8	7.250	8.501/8.504	1.125	9.00	17/32	0.38
		182TC	0279-00622		4.10			15.88	7.250	8.501/8.504	1.125	9.00	17/32	0.18
GW60		213TC	0279-00623	57				5/16 X 5/32			1.375			
		254TC	0279-00624		4.72			3/8 X 3/16			1.625			
		182TC	**	14	4.00			1/4 X 1/8	7.250	8.501/8.504	1.125	9.00	17/32	0.19
GW70		213TC	**	16				5/16 X 5/32			1.375			
		254TC	**	28	4.00			3/8 X 3/16			1.625			
		213TC	**	16	4.08			16.58	7.250	8.501/8.504	1.375	9.00	17/32	0.19
GW80		254TC	**	28	4.08			16.58			1.625			

<sup>^</sup> FIRST VALUE LISTED APPLIES TO W240 & GW80D. SECOND VALUE APPLIES TO GW100D.

\*\* GW70 & GW80 NEMA C-FLANGE MUST BE FACTORY ASSEMBLED TO GEARDRIVE. NOT AVAILABLE IN KIT FORM.

# Hub City Worm Gear Drives

## Accessories & Options Universal Base Kits



C-FACE UNITS MOUNTED WITH WORM BOTTOM ARE NOT RECOMMENDED AND WILL NOT WORK WITH THESE BASE KITS. IF IT IS NECESSARY TO MOUNT THE UNIT IN THIS POSITION, USE THE ADJUSTABLE BASE KIT SHOWN ON PAGE B-99 OR CONSULT FACTORY FOR OTHER AVAILABLE MOUNTING FEET.

SERIES	UNIVERSAL BASE KIT NUMBER *	KIT SHIPPING WT. LBS.		A	B	C	D	E	F	G	H	J
130	0229-01761	2	WORM TOP	1.334	1.562	.687	2.249	2-3/16	5-3/8	1-21/32	4-3/16	11/32
			WORM BOTTOM		1.186		1.873					
W150	0229-03187	3	WORM TOP	1.541	1.906	.594	2.500	3-3/16	6-1/2	2-5/32	5-9/16	13/32
			WORM BOTTOM		1.928		2.522					
180	0229-01592	2	WORM TOP	1.751	1.875	.875	2.750	2-7/8	6-7/8	2-1/4	5-5/8	13/32
			WORM BOTTOM		1.374		2.249					
210	0229-01750	5	WORM TOP	2.064	2.437	.562	2.999	3-3/16	7-1/2	2-11/32	5-13/16	15/32
			WORM BOTTOM		1.500		2.062					
W240	0229-03062	6	WORM TOP	2.376	2.500	.750	3.250	3-3/16	8-3/8	2-7/16	6-3/16	15/32
			WORM BOTTOM		2.061		2.812					
260	0229-01785	8	WORM TOP	2.626	2.938	.750	3.688	4	9-1/2	2-5/8	6-3/4	17/32
			WORM BOTTOM		1.874		2.624					
300	0229-03188	6	WORM TOP	3.001	3.250	.812	4.062	4-7/32	10	2-15/16	7-1/2	17/32
			WORM BOTTOM		2.624		3.436					
320	0229-01925	9	WORM TOP	3.251	3.250	1.125	4.375	4-3/4	10-3/4	3-1/16	7-3/8	17/32
			WORM BOTTOM		2.124		3.249					
380	0229-02409	10	WORM TOP	3.751	3.937	.875	4.812	5-3/16	11-5/8	3-1/2	8-1/4	19/32
			WORM BOTTOM		2.374		3.249					
W420	0229-03189	14	WORM TOP	4.251	4.438	1.000	5.438	5-9/16	13-1/4	3-13/16	9.75	21/32
			WORM BOTTOM		2.686		3.686					
450	0229-02480	16	WORM TOP	4.501	4.625	1.000	5.625	6-1/16	13-3/8	3-13/16	8-7/8	21/32
			WORM BOTTOM		2.499		3.499					
520	0229-02484	18	WORM TOP	5.168	5.375	1.062	6.437	7-1/16	16	4-3/16	10-1/4	25/32
			WORM BOTTOM		2.624		3.686					
GW60	0279-00620	31	WORM TOP	6.000	6.500	1.255	7.750	8-1/4	19	4-3/4	12	29/32
			WORM BOTTOM		4.000		5.250					
GW70 **	0279-00600	41	WORM TOP	7.000	7.59	1.42	9.01	6-1/2	15-3/8	5-5/8	13-3/8	1-1/8
			WORM BOTTOM		4.32		5.74					
GW80 **	0279-00601	48	WORM TOP	8.000	8.86	1.65	10.51	7-3/8	17-3/8	5-3/4	13-1/2	1-1/8
			WORM BOTTOM		4.10		5.75					
GW100 **	0279-00602	76	WORM TOP	10.000	10.36	1.65	12.01	8-1/2	21-9/64	7	16-7/8	1-7/16
			WORM BOTTOM		5.11		6.76					

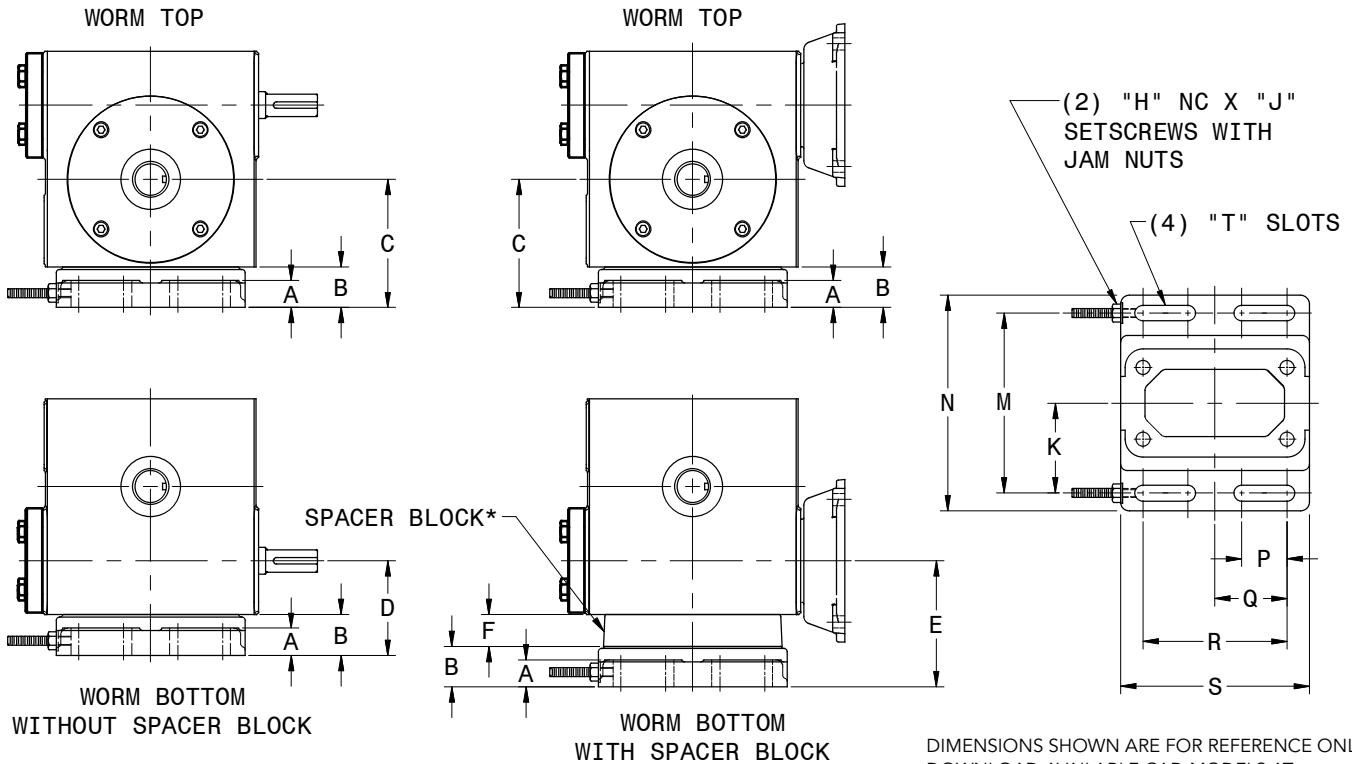
\* CONSULT FACTORY FOR VERTICAL SHAFT APPLICATIONS

\*\* BASE CONSISTS OF (2) PIECES.

# Hub City Worm Gear Drives

## Accessories & Options

### Adjustable Base Kits



DIMENSIONS SHOWN ARE FOR REFERENCE ONLY.  
 DOWNLOAD AVAILABLE CAD MODELS AT:  
[WWW.HUBCITYINC.COM](http://WWW.HUBCITYINC.COM)

SERIES	ADJUSTABLE BASE KIT NUMBER	ADJUSTABLE BASE KIT SHIPPING WT.	SPACER BLOCK KIT NUMBER *	SPACER BLOCK KIT SHIPPING WT.	A	B	C	D	E
130	0229-00015	3.0 lbs.	0229-00023	3.0 lbs.	3/4	1-1/8	2-11/16	2-5/16	3-1/2
180	0229-00016	4.0 lbs.	0229-00024	3.0 lbs.	3/4	1-1/8	3	2-1/2	3-1/2
210	0229-00017	5.0 lbs.	0229-00025	3.0 lbs.	3/4	1-1/8	3-9/16	2-5/8	3-1/2
W240	0229-02988	8.0 lbs.	N/A	N/A	7/8	1-7/16	3-15/16	3-1/2	N/A
260	0229-00018	8.0 lbs.	N/A	N/A	7/8	1-5/8	4-9/16	3-1/2	N/A
320	0229-00019	10.0 lbs.	N/A	N/A	7/8	1-3/8	4-5/8	3-1/2	N/A
380	0229-00020	11.0 lbs.	N/A	N/A	7/8	1-3/8	5-5/16	3-3/4	N/A
450	0229-00021	15.0 lbs.	N/A	N/A	7/8	1-3/8	6	3-7/8	N/A
520	0229-00022	23.0 lbs.	N/A	N/A	1	1-1/2	6-7/8	4-1/8	N/A

\* CONTACT FACTORY FOR SPACER BLOCK KIT AVAILABILITY.

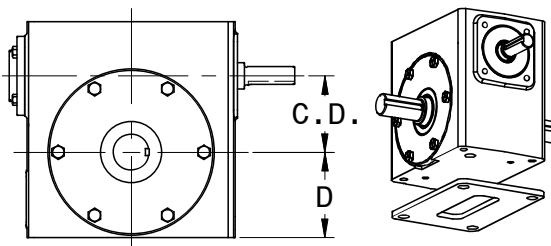
SERIES	F	H	J	K	M	N	P	Q	R	S	T
130	1-3/16	1/4	1-1/4	2	4	4-3/4	3/4	1-3/16	2-3/8	3-3/8	5/16
180	1	1/4	1-1/2	2-1/8	4-1/4	5-1/4	1	1-9/16	3-1/8	4-1/4	5/16
210	7/8	1/4	1-3/4	2-1/2	5	6	1-1/4	2	4	5-1/4	7/16
W240	N/A	3/8	2-1/2	3	6	7-1/4	1-1/4	2-1/2	5	7	9/16
260	N/A	3/8	2	2-3/4	5-1/2	6-3/4	1-1/4	2-7/16	4-7/8	6-1/2	9/16
320	N/A	3/8	2	3	6	7-1/8	1-3/8	3-1/8	6-1/4	7-3/4	9/16
380	N/A	3/8	2	3-1/8	6-1/4	7-1/2	1-1/2	3-7/16	6-7/8	8-3/8	9/16
450	N/A	3/8	2-1/2	3-5/8	7-1/4	8-3/4	1-5/8	3-7/8	7-3/4	9-5/8	11/16
520	N/A	3/8	2-1/2	4-1/4	8-1/2	10	1-7/8	4-3/4	9-1/2	11-3/8	11/16

# Hub City Worm Gear Drives

## Accessories & Options

### Universal Mounting Spacer

SERIES	SPACER PART NUMBER	SPACER SHIPPING WT. LBS.	C.D.	D (WITH SPACER)	D (WITHOUT SPACER)
130	0223-07625	1	1.334	1-23/32	1-9/16
W150	NOT REQUIRED	-	1.541	-	1-29/32
180	0223-07626	1.3	1.751	2-1/16	1-7/8
210	NOT AVAILABLE - CONSULT FACTORY		2.064	N/A	2-7/16
W240	NOT REQUIRED	-	2.376	-	2-1/2
260	NOT REQUIRED	-	2.626	-	2-15/16
300	NOT REQUIRED	-	3.001	-	3-1/4
320	0223-07627	3.5	3.251	3-1/2	3-1/4
380	NOT AVAILABLE - CONSULT FACTORY		3.751	N/A	3-15/16
W420	NOT REQUIRED	-	4.251	-	4-7/16



UNIVERSAL MOUNTING SPACERS ARE DESIGNED TO MATCH THE "D" MOUNTING HEIGHT FROM THE OUTPUT CENTERLINE TO THE BOTTOM MOUNTING SURFACE OF COMPETITIVE UNITS.

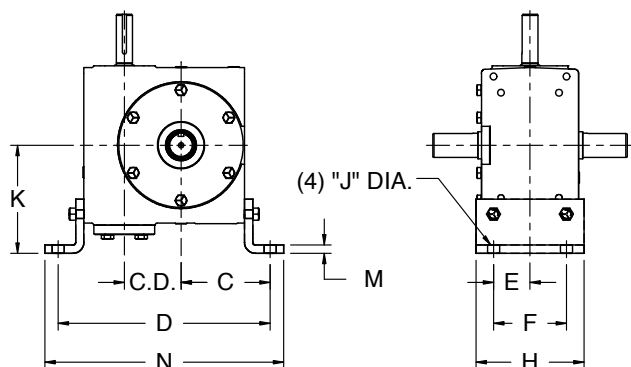
### Riser Blocks

Riser Blocks provide a clear top mounting surface above the motor flange for mounting below machine framework etc.



SERIES	RISER BLOCK PART NUMBER	RISER BLOCK WT. LBS.	OVERALL HEIGHT
130	N/A	N/A	N/A
W150	0223-08321	7	2.00
180	0223-07721	7	2.00
210	0223-07722	9	2.00
W240	0223-07723	9	2.00
260	0223-07724	12	1.50
300	0223-08322	15	2.13
320	0223-07725	18	2.13
380	N/A	N/A	N/A
W420	0223-08323	24	2.13

### J-Bracket Kits



DIMENSIONS SHOWN ARE FOR REFERENCE ONLY.  
 DOWNLOAD AVAILABLE CAD MODELS AT:  
[WWW.HUBCITYINC.COM](http://WWW.HUBCITYINC.COM)

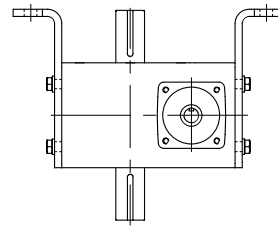
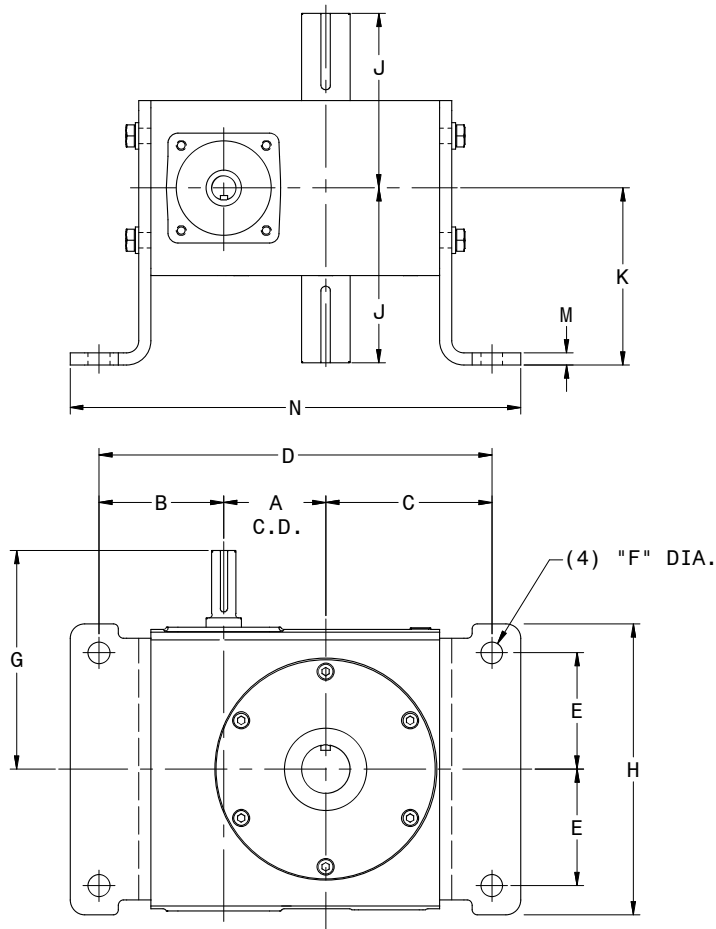
SERIES	J-BRACKET KIT NUMBER *	KIT SHIPPING WT. LBS.	C.D.	C	D	E	F	H	J	K	M	N
130	0229-03190	1	1.334	2.60	5.88	1.000	2.000	2.75	0.375	2.935	0.25	6.88
W150	0229-03191	1	1.541	2.76	6.58	1.375	2.750	3.50	0.438	3.504	0.25	7.64
180	0229-03192	2	1.751	3.00	6.86	1.375	2.750	3.50	0.438	3.504	0.25	7.92
210	0229-03193	3	2.064	3.40	8.12	1.375	2.750	4.00	0.500	4.125	0.25	9.26
W240	0229-03194	3	2.380	3.63	8.37	1.438	2.875	4.00	0.500	4.062	0.38	9.50
260	0229-03195	5	2.626	4.13	9.58	1.688	3.375	5.00	0.562	4.998	0.38	10.82
300	0229-03196	6	3.001	4.50	10.62	1.938	3.875	6.00	0.562	5.625	0.38	11.88
320	0229-03197	6	3.251	4.75	11.12	1.938	3.875	6.00	0.562	5.625	0.38	12.38
380	0229-03198	10	3.750	5.69	13.56	2.500	5.000	7.00	0.688	5.500	0.50	15.06
W420	0229-03199	10	4.251	6.19	13.75	2.500	5.000	7.00	0.688	6.500	0.50	15.25

\* CONSULT FACTORY FOR VERTICAL SHAFT APPLICATIONS.

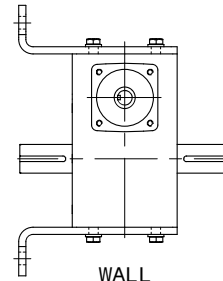
# Hub City Worm Gear Drives

## Accessories & Options

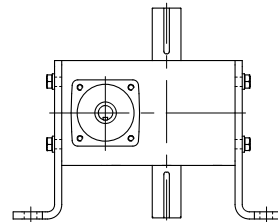
### Side Mounting Kits



CEILING\*



WALL



FLOOR\*

\* CONSULT FACTORY FOR VERTICAL SHAFT APPLICATIONS

DIMENSIONS SHOWN ARE FOR REFERENCE ONLY.  
 DOWNLOAD AVAILABLE CAD MODELS AT:  
[WWW.HUBCITYINC.COM](http://WWW.HUBCITYINC.COM)

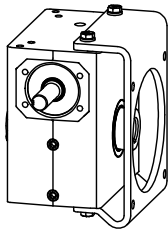
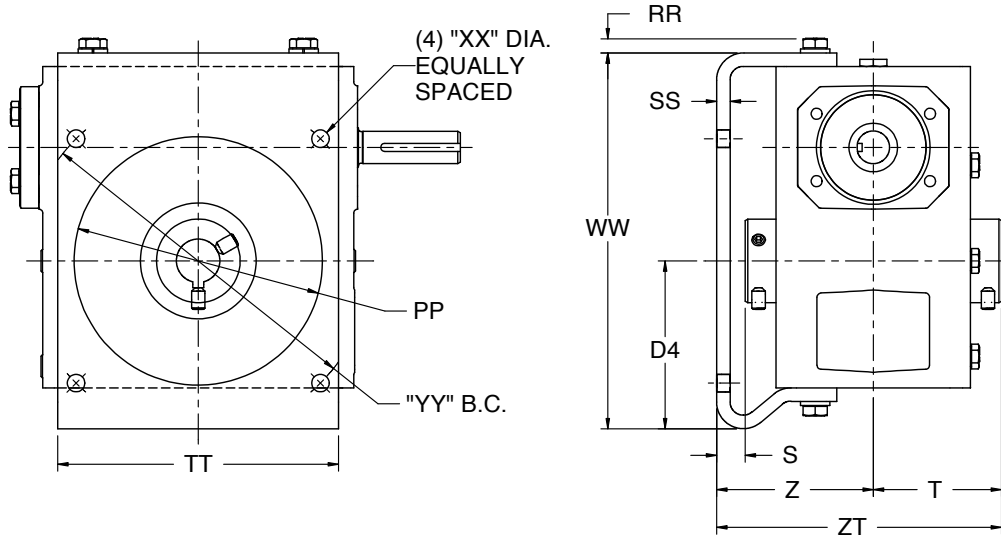
SERIES	SIDE MOUNTING KIT NUMBER *	KIT SHIPPING WT. LBS.	A	B	C	D	E	F	G	H	J	K	M	N	MATERIAL
130	0229-02989	3.2	1.334	2.05	2.43	5.81	1.63	.31	3.82	4.00	3.25	3.312	.25	6.58	STEEL
W150	0229-03205	3.0	1.540	2.75	2.72	7.00	2.00	.44	4.34	5.00	4.31	4.375	.25	7.88	STEEL
180	0229-02990	4.2	1.751	2.37	2.88	7.00	2.13	.44	4.19	5.25	3.50	3.562	.25	8.00	STEEL
210	0229-02991	9.3	2.064	2.75	3.69	8.50	2.13	.44	4.63	5.75	4.25	4.375	.31	9.50	STEEL
W240	0229-03206	9.6	2.376	3.06	3.50	8.94	2.44	.44	5.00	6.00	4.50	4.562	.31	9.94	STEEL
260	0229-02993	12	2.626	3.22	4.28	10.12	3.00	.56	5.63	7.50	4.50	4.562	.31	11.62	STEEL
300	0229-03207	10	3.000	3.75	4.38	11.12	3.00	.56	6.56	8.00	6.75	5.875	.38	12.50	STEEL
320	0229-02994	14	3.251	3.44	4.56	11.25	4.00	.56	6.88	9.25	5.44	5.500	.31	12.51	STEEL
380	0229-02995	17	3.751	3.87	5.44	13.06	4.25	.56	7.38	9.75	6.69	6.812	.31	14.32	STEEL
W420	0229-03208	20	4.250	4.44	6.19	14.88	3.94	.69	9.56	10.00	8.13	7.500	.50	16.25	STEEL
450	0229-02497	34	4.501	4.25	6.38	15.13	5.13	.66	8.44	11.50	7.25	7.375	.69	16.39	CAST IRON
520	0229-02498	44	5.168	4.50	7.25	16.92	5.38	.66	9.25	12.00	7.81	7.937	.69	18.17	CAST IRON
GW60	0279-00621	36	6.000	6.19	8.69	20.88	5.88	.91	11.78	14.75	10.00	7.31	.50	23.26	STEEL
GW70	0279-00603	71	7.000	6.87	10.12	23.99	6.25	1.13	11.50	14.88	11.76	7.00	.75	26.91	STEEL
GW80	0279-00604	78	8.000	6.38	11.12	25.50	7.00	1.13	12.50	17.00	12.25	8.00	.75	28.96	STEEL
GW100	0279-00605	156	10.000	7.76	12.99	30.75	8.88	1.44	15.50	20.88	14.75	9.00	1.00	37.47	STEEL

\* CONSULT FACTORY FOR VERTICAL SHAFT APPLICATIONS

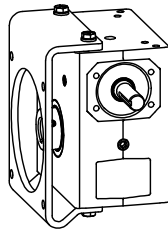
# Hub City Worm Gear Drives

## Accessories & Options

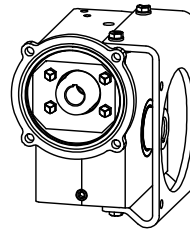
### Side Mount Flange Bracket Kits (Steel)



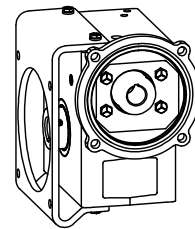
"XX2" STYLE "A" SHOWN WITH KIT MOUNTED OPPOSITE OUTPUT COVER. (THIS UNIT/KIT COMBINATION MAKES AN "XX3" STYLE "R" UNIT.)



"XX2" STYLE "B" SHOWN WITH KIT MOUNTED OPPOSITE OUTPUT COVER. (THIS UNIT/KIT COMBINATION MAKES AN "XX3" STYLE "L" UNIT.)



"XX5" STYLE "A" SHOWN WITH KIT MOUNTED OPPOSITE OUTPUT COVER. (THIS UNIT/KIT COMBINATION MAKES AN "XX6" STYLE "R" UNIT.)



"XX5" STYLE "B" SHOWN WITH KIT MOUNTED OPPOSITE OUTPUT COVER. (THIS UNIT/KIT COMBINATION MAKES AN "XX6" STYLE "L" UNIT.)

**NOTE: SIDE MOUNT FLANGE BRACKET KITS ARE INTENDED TO BE ATTACHED ON THE SIDE OPPOSITE THE OUTPUT COVER OF A HOLLOW BORE UNIT. WHEN ORDERING A GEARBOX AND KIT SEPARATELY, CUSTOMER IS REQUIRED TO SPECIFY THE STYLE OF THE "XX2" OR "XX5" GEARBOX. IN ORDER TO ACCOMPLISH THE CORRECT FINAL SIDE MOUNT FLANGE BRACKET ASSEMBLY POSITION.**

DIMENSIONS SHOWN ARE FOR REFERENCE ONLY.  
 DOWNLOAD AVAILABLE CAD MODELS AT:  
[WWW.HUBCITYINC.COM](http://WWW.HUBCITYINC.COM)

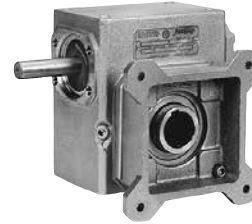
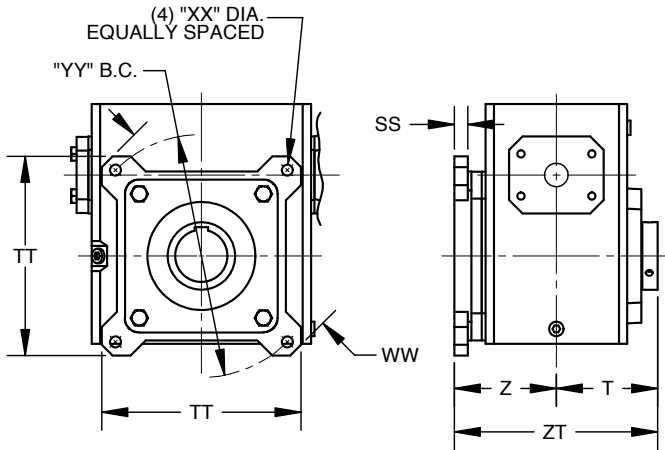
SERIES	FRAME SIZE	SIDE MOUNT FLANGE BRACKET KIT NO.	KIT SHIPPING WT. LBS.	D4	S	T	Z	PP	RR	SS	TT	WW	XX	YY	ZT
130	ALL	0229-03200	1.7	2.50	0.75	2.25	3.00	3.62	0.22	0.19	4.25	5.22	11/32	5.000	5.25
180	ALL	0229-02950	5.2	3.13	0.91	2.41	3.31	4.25	0.22	0.25	4.88	6.50	11/32	5.875	5.72
210	ALL	0229-02951	7.5	3.75	0.85	2.78	3.63	4.75	0.33	0.31	5.75	7.63	13/32	7.000	6.41
W240	ALL	0229-02952	7.1	3.61	0.72	3.00	3.72	5.00	0.33	0.25	6.00	8.30	13/32	7.500	6.72
260	56C/143TC	0229-02953	8.1	3.89	0.66	2.97	3.62	5.75	0.33	0.31	6.50	8.70	13/32	8.000	6.59
	182TC	0229-02954	9.4	4.07	1.66	2.97	4.63	5.75	0.33	0.31	6.75	8.88	13/32	8.000	7.60
320	ALL	0229-02955	10.0	4.45	0.22	3.78	4.00	6.88	0.44	0.31	7.50	10.14	13/32	9.000	7.78
380	ALL	0229-02956	12.1	5.09	0.72	3.78	4.50	7.50	0.44	0.31	8.25	11.53	9/16	10.000	8.28

\* CONSULT FACTORY FOR VERTICAL SHAFT APPLICATIONS.

# Hub City Worm Gear Drives

## Accessories & Options

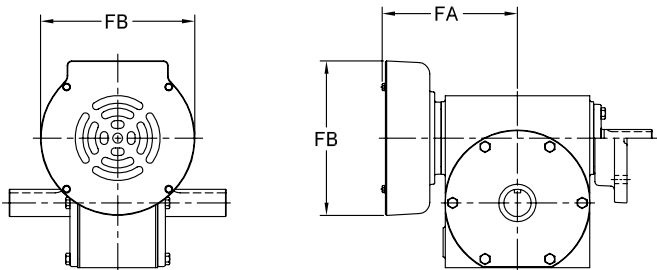
### Cast F-Flange Mounting Kits



SERIES	CAST F-FLANGE KIT NO. *	KIT SHIPPING WT. LBS.	T	Z	ZT	SS	TT	WW	XX	YY
W150	0229-03201	1	2.71	2.94	5.65	0.38	4.50	5.92	.34	5.000
W240	0229-03202	3	3.00	3.73	6.73	0.44	6.28	8.40	.41	7.500
300	0229-03203	10	3.75	3.78	7.53	0.50	7.37	9.89	.41	9.000
W420	0229-03204	15	4.25	4.56	8.81	0.62	9.65	12.95	.56	11.500
GW60	0279-00635	38	5.75	7.26	13.01	0.75	14.00	18.00	.69	15.625
GW70	**	45	6.75	7.45	14.20	0.75	15.63	21.00	.78	18.380
GW80	**	50	7.25	8.34	15.59	0.75	17.88	24.00	1.03	21.000
GW100	**	55	9.25	9.07	18.32	1.00	21.19	29.00	1.03	25.000

\* CAST F-FLANGE MUST BE FACTORY ASSEMBLED TO GEARDRIVE FOR **ALL SOLID OUTPUT SHAFT** REDUCERS.  
 CAST F-FLANGE CAN ONLY MOUNT TO COVER SIDE OF HOLLOW BORE OUTPUT REDUCERS.  
 \*\* CAST F-FLANGE MUST BE FACTORY ASSEMBLED TO HOLLOW BORE GEARDRIVE. NOT AVAILABLE IN KIT FORM.

### Fans



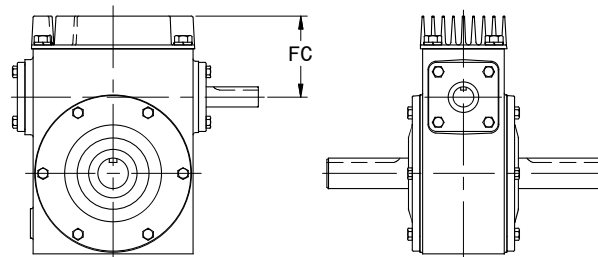
DIMENSIONS SHOWN ARE FOR REFERENCE ONLY.  
 DOWNLOAD AVAILABLE CAD MODELS AT:  
[WWW.HUBCITYINC.COM](http://WWW.HUBCITYINC.COM)

WHEN FAN KITS AND THERMAL BLOCK KITS  
 ARE UTILIZED, SYNTHETIC LUBRICANT IS  
 RECOMMENDED. SEE SECTION 5.

SERIES	INPUT	FAN KIT PART NO.	FAN KIT SHIPPING WT.	FA	FB
450	SHAFT	0229-02891	11 LBS.	7-3/4	9-5/8
	QUILL	0229-02892			
520	SHAFT	0229-02896	11 LBS.	8-1/2	9-5/8
	QUILL	0229-02892			

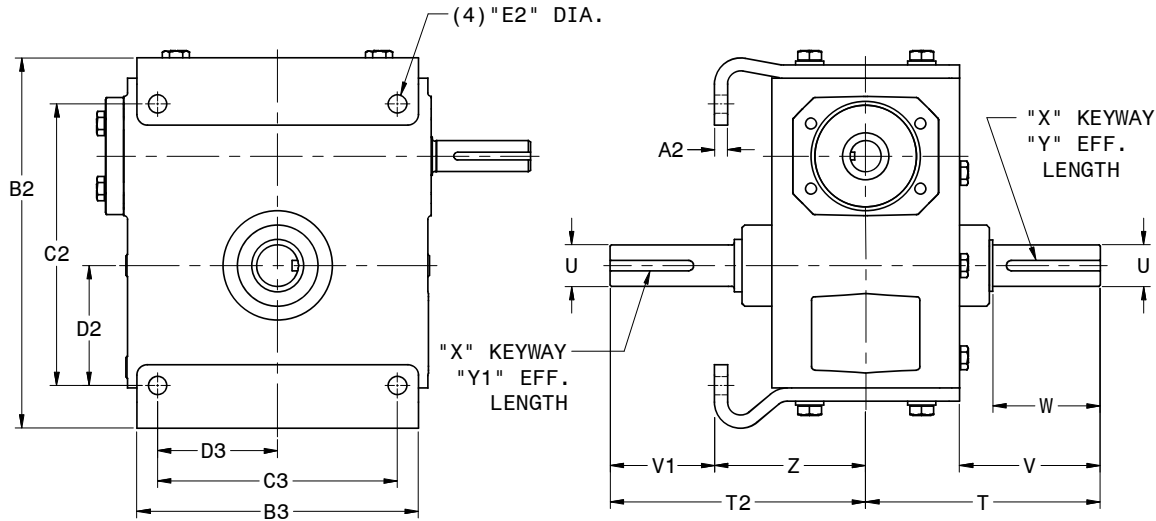
### Thermal Block Kits

SERIES	THERMAL BLOCK KIT PART NO.	THERMAL BLOCK KIT SHIPPING WT.	FC
450	0229-00033	4 LBS.	4-3/16
520	0229-00034	5 LBS.	4-5/16



# Hub City Worm Gear Drives

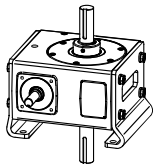
## Accessories & Options Vertical Mounting Kits



NOTE: VERTICAL MOUNT KITS ARE INTENDED TO BE ATTACHED SO THE MOUNTING FEET ARE ON THE SIDE OPPOSITE OF THE OUTPUT COVER OF A HOLLOW BORE UNIT, MODELS "XX2" OR "XX5" AS SHOWN. **CUSTOMER IS REQUIRED TO SPECIFY THE STYLE OF THE GEARBOX WHEN ORDERING TO ACCOMPLISH THIS.**

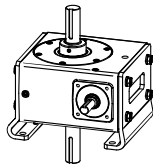
BASE MODEL	STOCK BORE REQUIRED
182 OR 185	1.000
212 OR 215	1.000
242 OR 245	1.000

BASE MODEL	STOCK BORE REQUIRED
262 OR 265	1.000
322 OR 325	1.438
382 OR 385	1.938



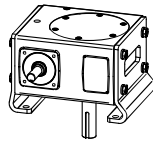
STYLE: AL  
MODEL "XX2"  
OR "XX5"  
STYLE "B"

PLUS "AL,AR" KIT



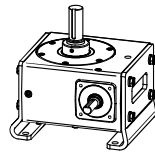
STYLE: AR  
MODEL "XX2"  
OR "XX5"  
STYLE "A"

PLUS "AL,AR" KIT



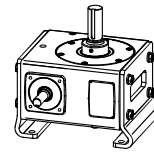
STYLE: BL  
MODEL "XX2"  
OR "XX5"  
STYLE "B"

PLUS "BL,CR" KIT



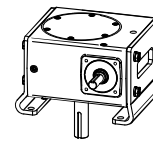
STYLE: BR  
MODEL "XX2"  
OR "XX5"  
STYLE "A"

PLUS "BR,CL" KIT



STYLE: CL  
MODEL "XX2"  
OR "XX5"  
STYLE "B"

PLUS "BR,CL" KIT



STYLE: CR  
MODEL "XX2"  
OR "XX5"  
STYLE "A"

PLUS "BL,CR" KIT

CONSULT FACTORY FOR VERTICAL SHAFT LUBRICATION RECOMMENDATIONS OR REVIEW VERTICAL SHAFT LUBRICATION INSTRUCTIONS INCLUDED IN KIT.

DIMENSIONS SHOWN ARE FOR REFERENCE ONLY.

DOWNLOAD AVAILABLE CAD MODELS AT: [WWW.HUBCITYINC.COM](http://WWW.HUBCITYINC.COM)

SERIES	STYLE	VERTICAL MT. KIT NO.	SHIP WT. LBS.	T	T2	U	V	V1	W	X	Y	Y1	Z	A2	B2	B3	C2	C3	D2	D3	E2
180	AL,AR	0229-02957	7.2	4.50	5.19	0.750 0.749	2.78	2.00	1.87	3/16	1.66	1.79	3.19	.25	7.00	4.75	5.00	4	2.13	2.00	.44*
	BL,CR	0229-02958	7.0	N/A	5.19		N/A	2.00	N/A	X	N/A	1.79									
	BR,CL	0229-02959	6.7	4.50	N/A		2.78	N/A	1.92	3/32	1.66	N/A									
210	AL,AR	0229-02960	9.9	5.00	5.50	0.875 0.874	2.94	2.25	1.99	3/16	1.79	1.73	3.25	.31	7.68	4.75	5.25	4	2.13	2.00	.44
	BL,CR	0229-02961	9.6	N/A	5.50		N/A	2.25	N/A	X	N/A	1.73									
	BR,CL	0229-02962	9.5	5.00	N/A		2.94	N/A	2.04	3/32	1.79	N/A									
W240	AL,AR	0229-03258	12.9	5.63	6.13	1.000 0.999	3.60	2.50	2.55	1/4	2.13	1.88	3.63	.31	9.98	6.50	7.75	5.75	2.88	2.88	.44*
	BL,CR	0229-03259	12.4	N/A	6.13		N/A	2.50	N/A	X	N/A	1.88									
	BR,CL	0229-03260	12.3	5.63	N/A		3.60	N/A	2.45	1/8	2.13	N/A									
260	AL,AR	0229-02966	12.5	5.63	6.13	1.000 0.999	3.38	2.50	2.58	1/4	2.13	1.88	3.63	.31	8.88	6.75	6.75	5.75	2.88	2.88	.44
	BL,CR	0229-02967	12.0	N/A	6.13		N/A	2.50	N/A	X	N/A	1.88									
	BR,CL	0229-02968	11.9	5.63	N/A		3.38	N/A	2.48	1/8	2.13	N/A									
320	AL,AR	0229-02969	17.3	6.38	7.00	1.250 1.249	3.78	2.75	2.31	1/4	2.06	2.06	4.25	.31	10.48	7.25	7.75	6.25	3.25	3.13	.56*
	BL,CR	0229-02970	16.5	N/A	7.00		N/A	2.75	N/A	X	N/A	2.06									
	BR,CL	0229-02971	16.3	6.38	N/A		3.78	N/A	2.35	1/8	2.06	N/A									
380	AL,AR	0229-02972	23.1	7.50	7.75	1.500 1.499	4.75	3.25	3.38	3/8	3.00	2.59	4.50	.31	11.69	8.00	9.00	7	3.75	3.50	.56
	BL,CR	0229-02973	21.5	N/A	7.75		N/A	3.25	N/A	X	N/A	2.59									
	BR,CL	0229-02974	21.3	7.50	N/A		4.75	N/A	3.47	3/16	3.00	N/A									

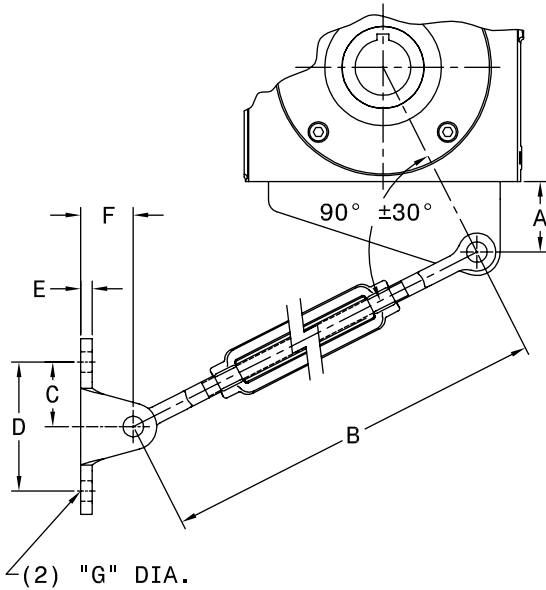
\* SLOTTED HOLES



# Hub City Worm Gear Drives

## Accessories & Options

### Torque Arm Kits



DIMENSIONS SHOWN ARE FOR REFERENCE ONLY.  
 DOWNLOAD AVAILABLE CAD MODELS AT:  
[WWW.HUBCITYINC.COM](http://WWW.HUBCITYINC.COM)

MODEL*	TORQUE ARM KIT NUMBER	KIT SHIPPING WT. LBS.	A	B	C	D	E	F	G
132, 135	0229-03209	5	1.25	11.13 MIN. 17 MAX.	1.38	2.75	.25	1.13	7/16
152, 155	0229-03210	5	2.50	24 MIN. 30.13 MAX.	2.094	4.19	.69	2.50	11/32
182, 185	0229-02996	5	1.37	11.13 MIN. 17 MAX.	1.38	2.75	.25	1.13	7/16
212, 215	0229-02997	5	1.50	11.13 MIN. 17 MAX.	1.38	2.75	.25	1.13	7/16
242, 245	0229-02998	6	1.75	11.13 MIN. 17 MAX.	1.38	2.75	.25	1.13	7/16
262, 265	0229-02999	6	2.00	11.13 MIN. 17 MAX.	1.38	2.75	.25	1.13	7/16
302, 305	0229-03211	6	5.00	24 MIN. 30.13 MAX.	2.094	4.19	.69	2.50	11/32
322, 325	0229-03000	6	2.25	11.13 MIN. 17 MAX.	1.38	2.75	.25	1.13	7/16
382, 385	0229-03001	6	2.50	11.13 MIN. 17 MAX.	1.38	2.75	.25	1.13	7/16
422, 425	0229-03212	6	5.00	24 MIN. 30.13 MAX.	2.094	4.19	.69	2.50	11/32
452, 455	0229-02604	7	1.25	12.50 MIN. 18.38 MAX.	1.62	3.25	.50	1.25	21/32
522, 525	0229-02679	7	1.50	12.50 MIN. 18.38 MAX.	1.62	3.25	.50	1.25	21/32
GW602, GW605	0279-00625	10	5.00	27 MIN. 31 MAX.	1.69	3.63	.25	1.32	21/32

\* SAME KITS ARE USED WHEN THE MODEL IS THE FINAL UNIT ON A DOUBLE REDUCTION OR TRIPLE REDUCTION WORM GEAR REDUCER.

### Hollow Output Cover Kits\*\*

SERIES	KIT NUMBER
130	coming soon
W150	coming soon
180	coming soon
210	coming soon
W240	0229-03217***
260	coming soon
300	0229-03219
320	coming soon
380	coming soon
W420	coming soon



\*\*CONSULT FACTORY FOR AVAILABILITY.  
 \*\*\*CURRENTLY MOUNTS TO SIDE OPPOSITE COVER ONLY.

### Servo Motor Flanges and Hydraulic Input Flanges

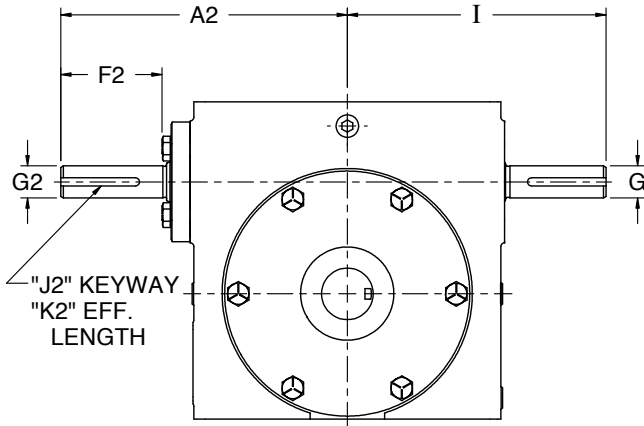


SERVO MOTOR FLANGES AND HYDRAULIC INPUT FLANGES ARE AVAILABLE AS FACTORY OPTIONS.  
 CONSULT FACTORY FOR COMPLETE SPECIFICATIONS.

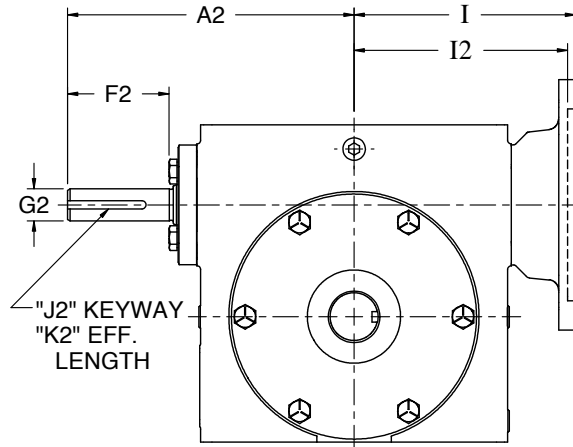
# Hub City Worm Gear Drives

## Accessories & Options Extended Worm Shafts

DOUBLE EXTENDED WORM SHAFT



C-FLANGE EXTENDED WORM SHAFT



DIMENSIONS SHOWN ARE FOR REFERENCE ONLY.  
DOWNLOAD AVAILABLE CAD MODELS AT: [WWW.HUBCITYINC.COM](http://WWW.HUBCITYINC.COM)

### Double Extended Worm Shaft Dimensions

SERIES	A2	F2	G2	J2	K2	I	G
130 SHAFT INPUT	4.37	1.76	.500/.499	1/8 X 1/16	1.44	3.82	.500/.499
W150 SHAFT INPUT	4.90	1.76	.625/.624	3/16 X 3/32	1.50	4.35	.625/.624
180 SHAFT INPUT	5.00	1.76	.625/.624	3/16 X 3/32	1.50	1.76	.625/.624
210 SHAFT INPUT	5.37	1.76	.625/.624	3/16 X 3/32	1.50	4.82	.625/.624
W240 SHAFT INPUT	6.15	2.38	.750/.749	3/16 X 3/32	1.50	5.00	.750/.749
260 SHAFT INPUT	6.72	2.38	.750/.749	3/16 X 3/32	1.50	6.07	.750/.749
300 SHAFT INPUT	7.22	2.38	.875/.874	3/16 X 3/32	1.50	6.57	.875/.874
320 SHAFT INPUT	7.40	2.38	.875/.874	3/16 X 3/32	1.50	6.75	.875/.874
380 SHAFT INPUT	7.38	2.20	1.000/.999	1/4 X 1/8	1.91	7.38	1.000/.999
W420 SHAFT INPUT	9.57	3.47	1.250/1.249	1/4 X 1/8	2.88	9.57	1.250/1.249
450 SHAFT INPUT	8.44	2.98	1.000/.999	1/4 X 1/8	2.50	8.44	1.125/1.124
520 SHAFT INPUT	9.25	2.98	1.000/.999	1/4 X 1/8	2.47	9.25	1.250/1.249
GW60 SHAFT INPUT	14.55	3.41	1.500/1.499	3/8 X 3/16	3.00	11.78	1.500/1.499

### C-Flange Extended Worm Shaft Dimensions

SERIES	A2	F2	G2	J2	K2	I	G
130 QUILL INPUT	4.37	1.76	.500/.499	1/8 X 1/16	1.44	DIMENSION VARIES WITH FRAME SIZE.  SEE UNIT DIMENSION PAGES.	
W150 QUILL INPUT	4.90	1.76	.625/.624	3/16 X 3/32	1.50		
180 QUILL INPUT	5.00	1.76	.625/.624	3/16 X 3/32	1.50		
210 QUILL INPUT	5.37	1.76	.625/.624	3/16 X 3/32	1.50		
W240 QUILL INPUT	6.15	2.38	.625/.624	3/16 X 3/32	1.50		
260 QUILL INPUT	6.72	2.38	.750/.749	3/16 X 3/32	1.50		
300 QUILL INPUT	7.22	2.38	.875/.874	3/16 X 3/32	1.50		
320 QUILL INPUT	7.40	2.38	.875/.874	3/16 X 3/32	1.50		
380 QUILL INPUT	7.38	2.20	1.000/.999	1/4 X 1/8	1.91		
W420 QUILL INPUT	9.57	3.47	1.250/1.249	1/4 X 1/8	2.88		
450 QUILL INPUT	8.44	2.98	1.000/.999	1/4 X 1/8	2.50		
520 QUILL INPUT	9.25	2.98	1.000/.999	1/4 X 1/8	2.47		
GW60 QUILL INPUT	14.55	3.41	1.500/1.499	3/8 X 3/16	3.00		

### Ref. - Universal PowerCube Extended Worm Shaft Dimensions

POWERCUBE SERIES	DOUBLE EXTENDED WORM SHAFT DIM.			C-FLANGE EXTENDED WORM SHAFT DIM.		
	A2	F2	G2	A2	F2	G2
130	3.82	1.54	.500/.499	3.82	1.54	.500/.499
180	4.19	1.54	.500/.499	4.19	1.54	.500/.499
210	4.63	1.63	.625/.624	4.63	1.63	.625/.624
W240	5.00	1.63	.625/.624	5.00	1.63	.625/.624
260	5.63	1.97	.625/.624	5.63	1.97	.625/.624
320	6.88	2.48	.875/.874	6.88	2.48	.875/.874
380	NO CHANGES			NO CHANGES		