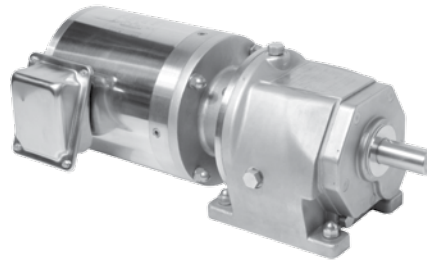
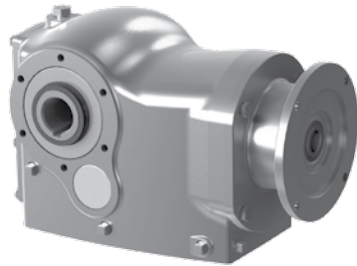


Hub City CleanLine™ Gear Drives & Mounted Bearings

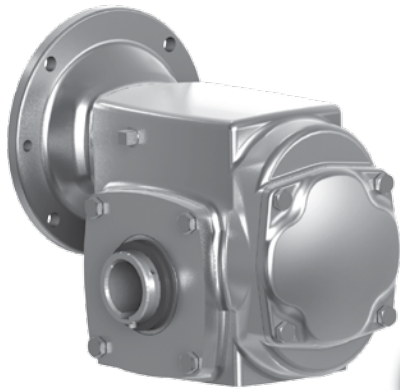
Solutions for Pharmaceutical, Meat, Poultry and
Produce Processing & Washdown Applications



CleanLine™ Products Features and Advantages	O-2 to O-6
CleanLine™ Gear Drives Selection Information.	O-7 to O-8
Stainless Steel Worm Gear Drives	O-9 to O-17
Stainless Steel Ratio Multipliers	O-18
Stainless Steel Helical-HERA® Compound Assemblies	O-19
Stainless Steel HERA® Gear Drives	O-20 to O-26
Stainless Steel Helical-InLine Gear Drives	O-27 to O-29
Stainless Steel Helical-Bevel Gear Drives	O-30 to O-35
Stainless Steel Bevel Gear Drives	O-36 to O-40
CleanLine UltraPlus™ Stainless Steel Mounted Bearings	O-41 to O-44
CleanLine Plus™ Thermoplastic Composite Mounted Bearings	O-45 to O-46
Stainless Steel Bearing Inserts	O-47
CleanLine™ Mounted Bearings Load Ratings.	O-48 to O-49
CleanLine™ Mounted Bearing Accessories	O-50 to O-51
CleanLine™ Mounted Bearings Modified and Custom Designs	O-52

Over 200 NEW items in this section!

We have a tasteful solution for



PATENTED



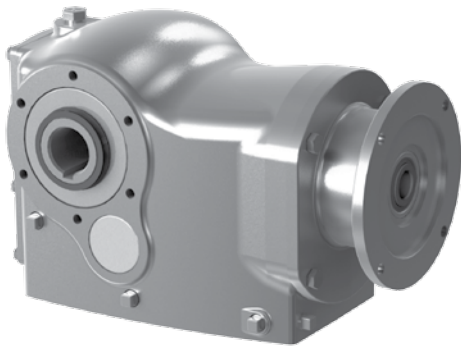
Stainless Steel HERA® Gear Drives

Features:

- Smooth Cast Surface Finish
- 90% Efficiency
- Up to 2x Torque density of worm speed reducers
- Power Ratings to 8.5HP and ratios to 60/1 (nominal)
- No-Hassle Bolt-in replacement of major brands of worm speed reducers
- Factory Filled with USDA H1 Lubricant for Application Service Life of the Drive
- 316 Stainless Steel Housings
- HACCP Compatible & BISSC Certified
- Packaged with Marathon PowerWash SXT All-Stainless Motors



Select hollow output bore models in this product line are now available with the HubLoc® Keyless Bushing System. Refer to pages i and ii at front of this catalog for features, available sizes, and ordering information.

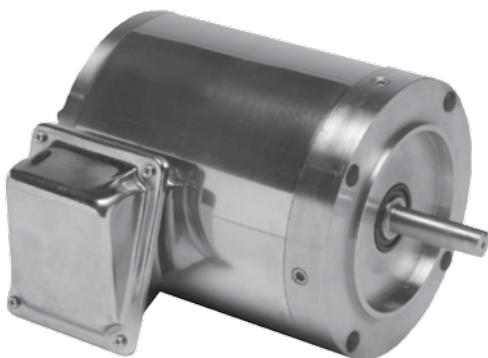


Select hollow output bore models in this product line are now available with the HubLoc® Keyless Bushing System. Refer to pages i and ii at front of this catalog for features, available sizes, and ordering information.

Stainless Steel Helical Bevel Gear Drives

Features:

- Smooth Cast Surface Finish
- 93 to 95% Efficient
- Power Ratings to 20HP and ratios to 138/1(nominal)
- Factory Filled with USDA H1 Lubricant for Application Service Life of the Drive
- 316 Stainless Steel Housings
- HACCP Compatible & BISSC Certified
- Packaged with Marathon PowerWash SXT All-Stainless Motors



Powerwash SXT by Marathon Motors

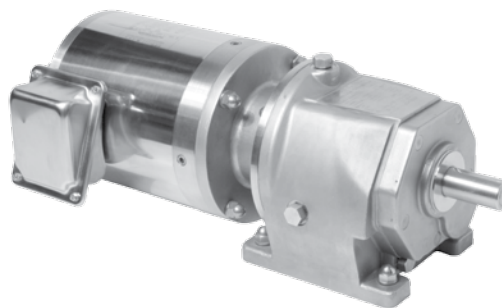
Features:

- » All stainless steel, totally enclosed
- » Power Ratings to 3HP
- » 300 Series stainless steel external construction: frame, end-shields, conduit box, mounting base and hardware for superior corrosion resistance
- » 100% paint-free construction
- » Nameplate information laser etched on frame
- » UL Recognized, CSA Certified and CE Mark (Refer to Section E)

Stainless Steel Helical Inline Gear Drives

Features:

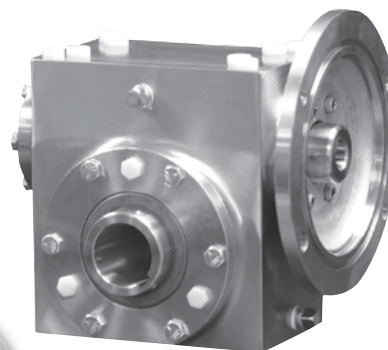
- Smooth Cast Surface Finish
- 93 to 95% Efficient
- Power Ratings to 18HP and ratios to 50/1(nominal)
- Factory Filled with USDA H1 Lubricant for Application Service Life of the Drive
- 316 Stainless Steel Housings
- HACCP Compatible & BISSC Certified
- Packaged with Marathon PowerWash SXT All-Stainless Motors



Hub³® Stainless Steel Worm Gear Drives

Features:

- Advanced design
- Now available in seven sizes
- Power Ratings to 14HP and ratios to 100/1
- Polished 316 Stainless Steel housings with rounded caps and covers for easy cleanability
- Food grade synthetic lubricant, USDA class H1
- Dual bolt patterns top and bottom mounting surfaces for universal mounting capability
- Available in solid output and hollow bore designs
- Available accessories include base kits, side mounting flange kits, and output cover kits

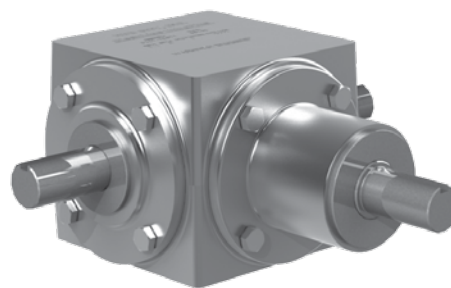


Select hollow output bore models in this product line are now available with the HubLoc® Keyless Bushing System. Refer to pages i and ii at front of this catalog for features, available sizes, and ordering information.

Hub³® Stainless Steel Bevel Gear Drives

Features:

- Smooth Machined or polished cast housing surface
- Power Ratings to 50HP and ratios to 3/1
- Designed to be Compliant with NSF/ANSI/3-A » 14159-1—2002
- Factory Filled with USDA H1 Lubricant
- 316 Series Stainless Steel Housings
- HACCP Compatible & BISSC Certified

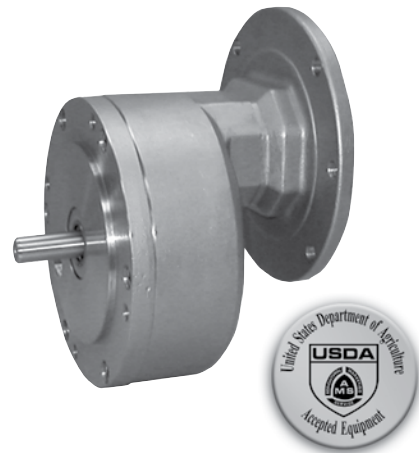


Stainless Steel Helical Ratio Multiplier

Available in NEMA 56C or 140TC input and output configurations. Ideal for use between a stainless steel motor and a C-face stainless steel gear drive to gain needed additional gear reduction.

Features:

- 97% Efficiency
- Power Ratings to 4.6HP and Ratios to 7/1(nominal)
- Polished 316 Stainless Steel Housings with rounded caps and covers for easy cleanability
- Food grade synthetic lubricant, USDA class H1



CleanLine UltraPlus™ Stainless Steel Mounted Bearings – Ultimate Solutions

Features:

- 304 Stainless Steel Housing
- 440 Stainless Steel Rings and Balls
- 302 Stainless Steel Flingers and Retainers
- Factory Filled with USDA H1 Lubricant
- Machine Polished to NSF/3-A or Industry Approved Standards
- Bore Sizes Up to 1.9375
- HACCP Compatible



CleanLine Plus™ Thermoplastic Composite Mounted Bearings – Intermediate Solutions

Features:

- Ultradur® Glass Reinforced PBT Thermoplastic Housings
- 440 Stainless Steel Rings and Balls
- 302 Stainless Steel Flingers and Retainers
- Factory Filled with USDA H1 Lubricant
- Smooth Surface for Easy Cleaning
- Bore Sizes Up to 1.5"



CleanLine™ High Efficiency Gear Drives

Features:

- FDA Approved White Acrylic Paint (epoxy optional)
- 303 Stainless Steel Output Shafts
- Stainless Steel Hardware and Nameplate
- BISSC Certification Optional
- Available in All Standard Models of Helical Bevel, Helical Worm, Helical Parallel & Helical InLine
- USDA/FDA Approved Stainless Steel Paint Optional



CleanLine™ Worm & Bevel Gear Drives

Features:

- FDA Approved White Acrylic Paint (epoxy optional)
- 303 Stainless Steel Output Shafts
- Stainless Steel Hardware and Nameplate
- BISSC Certification Optional
- Available in All Standard Models
- USDA/FDA Approved Stainless Steel Paint Optional
- Most Popular Models Available in 5 Days or Less



CleanLine Plus™ Modified & Custom Drives

Features:

- Designs Tailored to Your Specifications
- Meets Unique Application Needs
- Special Fabrications
- Corrosion Resistant Treatments such as Powder or Stainless Steel Paint



Modified and Custom Designs

If you have looked through this catalog and do not see exactly what you need, Hub City has the capability and engineering expertise to design and produce a special drive. Capabilities range from flange and shaft modifications, to custom housing dimensions. Consult the factory or your Hub City representative with your specifications.



Select hollow output bore models in these product lines are now available with the HubLoc® Keyless Bushing System. Refer to pages i and ii at front of this catalog for features, available sizes, and ordering information.

Hub City CleanLine™ Gear Drives

The Hub City Advantage

The Hub City stainless steel design goes beyond basic corrosion resistance, by providing a smooth unobstructed, contoured exterior surface. The exterior is free of ribs, undercuts and protrusions that do not support washdown, cleaning and sanitary conditions. The gear drives are configured such that all exterior surfaces self drain, do not entrap soil, foreign material or contain areas that support the breeding of bacteria, fungi, mold and or other microorganisms. All exterior surfaces are smooth and easily cleaned allowing for cleaning in place or manual cleaning processes.

The design of this superior product evolved from facility inspections and design input from a number of major food, meat, produce, and pharmaceutical processors. The acquired data was integrated with "Hygiene requirements for the design of meat and poultry processing equipment," NSF/ANSI/3-A 14159-1-2002. These resources, combined with Hub City's years of design and application experience in these industries, provide a drive that specifically meets the requirements of the processing industries and FDA/USDA/NSF National Sanitation Requirements. Several typical industrial applications requiring high degrees of sanitation and hygiene or severe environmental conditions are listed as follows:

- Food Handling and Processing including:
 - Poultry and Meat
 - Seafood and Fish
 - Cereal and Grain
 - Produce
 - Baking
 - Beverage
- Pharmaceutical Industry
- Chemical Processing Industry
- Petroleum Processing Industry
- Tobacco Industry
- Carwash Industry
- Mixer Industry
- Pump Industry

Hub City Stainless Steel gear drives, manufactured with 316 stainless steel housings and 303 stainless steel shafting, provide superior corrosion resistance to most types of chemical corrosives and washdown chemicals.

Hub City Stainless Steel gear drives are factory lubricated, for the application service life of the unit, with food grade lubricant conforming to the demands of USDA H1 regulations. The ingredients used in the formulation of this lubricant are on the FDA list of allowable substances, as specified in the Guidelines of Security CFR 212, section 178.3570.

Hub City Stainless Steel gear drives are supported by industry-identified accessories. These accessories increase functionality, reduce bacteria and microorganism growth, and enhance ease of cleaning. Accessories are listed as follows:

- Clearance Spacers
- Shaft Protectors
- Hollow Bore Output Sleeve Protectors
- Universal Base Kits
- Torque Arm Brackets
- "C" Flange Adaptor Kits



Select hollow output bore models in these product lines are now available with the HubLoc® Keyless Bushing System. Refer to pages i and ii at front of this catalog for features, available sizes, and ordering information.

Hub City CleanLine™ Gear Drives

How to Select and Order

Stainless Steel Gear Drive Selection

Selection of a Stainless Steel Gear Reducer is similar to selecting a cast iron model. It is necessary to select reducer size (series or model), gear ratio, model and assembly style. If accessories are required, they must be ordered separately and in addition to the reducer. Determine the actual Input H.P. or Output Torque required, Output Speed, and required Service Factor (See Section A). Multiply the actual H.P. or torque by the required service factor to obtain the required rating of the Reducer. Refer to the Unit Rating Tables by Model and Output Speed, until you locate the model that meets or exceeds the required H.P. or Torque rating. The actual service factor can be determined by dividing the unit rating by the actual H.P. or Torque. Check the Input and Output overhung load ratings, and thrust rating to verify they meet the requirement. Then refer to the dimension tables to check the unit dimensions. Available motor C-Frame sizes for each reducer model are shown in the dimension tables.

Service Factors

The ratings for gear drives in this manual are based on a service factor of 1.00, for uniform load and uniform or torque must be multiplied by the appropriate service capacity equal to or greater than the equivalent rating. AGMA Service Factors for Drives and Reducers are listed on pages A-7 to A-8. Refer to page A-2 for further information and cautions on the selection of proper service factors.

Starting Torque

Momentary or starting torque should be limited to 200% of rated capacity for all Hub City Stainless Steel Gear Drives,

except for Hub³ Stainless Steel Worm Gear Drives which should be limited to 300% of rated capacity.

Thermal Capacity

The thermal capacity of a unit is the maximum capacity at which a unit will operate at a temperature not exceeding 200° F. Under certain conditions of high load and high RPM, the thermal capacity may be somewhat less than the mechanical capacity. If thermal capacity is exceeded, provision must be made for additional cooling of the unit or external recirculation of lubricant. Under normal conditions, Hub City Stainless Steel Gear Drives are not thermally limited.

Efficiency

The approximate efficiency of Hub City Stainless Steel Gear Drives is 97.5% per gear stage except for Stainless Steel HERA®, which carries an efficiency rating of 90% for all ratios, and Hub³ Stainless Steel Worm Gear Drives where efficiency ratings are dependant on ratio. Efficiency ratings for Stainless Steel Worm Gear Drives are listed in the ratings tables.

Mounting Position

All Hub City Stainless Steel Gear Drives are filled with the correct quantity of PAG 460 (USDA H1) lubricating oil from the factory. A mounting position must be specified for Stainless Steel Helical Inline and Helical Bevel Drives. For additional Lubrication and Installation information and for mounting position charts, refer to CleanLine™ Hub³ pages of Section S.

Hub³ SSW (Stainless Steel Worm) Gear Reducers Ordering Information

(refer to pages O-9 to O-17)

SSW215 Series Model		K (Optional) Keyless Bushing	20/1 Exact Ratio	A Output Style	143TC Frame Size	1.250 Output Bore Size (Hollow Bore only)
13: 1.33" CD	1P: Coupled input: Shaft Output	K: Unit accepts HubLoc® Keyless Bushing System	Available Ratios Range From 5/1 to 3600/1 See Pages O-9, O-12, O-13	See Pages O-10, O-11, O-14, O-15 For Available Styles	56C 143TC 182TC	See Pages O-11, O-15 For Available Bores -or- KLS: Unit accepts HubLoc® Keyless Bushing System
15: 1.50" CD	2P: Coupled input: Hollow Output					
18: 1.75" CD	4: Quill Input: Shaft Output					
21: 2.06" CD	5: Quill Input: Hollow Output					
24: 2.38" CD						
26: 2.63" CD						
32: 3.25" CD						
(Insert "0" to indicate Double Reduction Model)						

Hub City CleanLine™ Gear Drives

How to Select and Order

SSHERA® Ordering Information (refer to pages O-19 to O-26)

<u>SSHERA45</u>	<u>E</u>	<u>S</u>	<u>28.01</u>	<u>143TC</u>	<u>1.438</u>	<u>0259-00241</u>	<u>0259-00215</u>
Basic Model	Input Style	Output Style	Exact Ratio	Frame Size	Bore Size	Shaft Kit	B-Base Kit
SSHERA35 SSHERA45	A: Shaft Input E: C-face Quill P: C-face Coupled	S: (Sleeve) Hollow Bore K: Unit accepts Hubloc® Keyless Bushing System	See Ratings Chart for Available Ratios	See Dimensional Table for Available Frame Sizes	See Stock Bores Table - or - KLS: Unit accepts HubLoc® Keyless Bushing System	See Accessories Page For Available Accessories	See Accessories Page For Available Accessories

Stainless Steel Ratio Multipliers (refer to page O-18)

<u>1X</u>	<u>Q</u>	<u>2.913</u>	<u>143TC</u>	<u>143TC</u>
Model	Input Option	Exact Ratio	Input Frame Size	Output Frame Size
1X	Q: Quill Input C: Coupled S: Shaft Input	Available Ratios Range From 2/1 to 7.18/1	56C 143TC	56C 143TC

Stainless Steel Helical Inline Drives (refer to pages O-27 to O-29)

<u>SSHI4042</u>	<u>E</u>	<u>28.01</u>	<u>143TC</u>	<u>1.250</u>
Basic Model	Input Type/Mounting Configuration	Exact Ratio	Frame Size	Output Shaft Size (SSHI 4062 only)
SSHI4042 SSHI4062	A: Shaft Input-Foot Mount E: C-face Input-Foot Mount C: Shaft Input- Flange Mount G: C-Face Input-Flange Mount	Available Ratios Range From 2/1 to 50/1 (Nominal)	56C 143TC 182TC 213TC	1.250 or 1.375

Stainless Steel Helical Bevel Drives (refer to pages O-30 to O-35)

<u>SSHB2043</u>	<u>E</u>	<u>S</u>	<u>28.01</u>	<u>143TC</u>	<u>1.438</u>
Basic Model	Input Type	Output Style	Exact Ratio	Frame Size	Output Bore Size
SSHB2043 SSHB2063 SSHB2073	A: Shaft Input E: C-face Quill P: C-face Coupled	S: (Sleeve) Hollow Bore D: Dbl Ext L: LH Ext R: RH Ext K: Unit accepts Hubloc® Keyless Bushing System	Available Ratios Range From 6/1 to 138/1 (Nominal)	56C 143TC 182TC 213TC	(Output Style S only) SSHB2043 :1.375" SSHB2063: 1.500" SSHB2073: 2.000" - or - KLS: Unit accepts HubLoc® Keyless Bushing System

Stainless Steel Bevel Gear Drives

(refer to pages O-36 to O-40)

<u>SS66</u>	<u>1/1</u>	<u>A</u>	<u>ST</u>
Model	Gear Ratio	Style	Gear Type
SSM3 SS165 SS175 SS66 SS65	1/1 1.5/1 2/1 3/1	See pages O-39 and O-40 for available styles in each model.	SP: Spiral Bevel ST: Straight Bevel



Select hollow output bore models in this product line are now available with the HubLoc® Keyless Bushing System. Refer to pages i and ii at front of this catalog for features, available sizes, and ordering information.

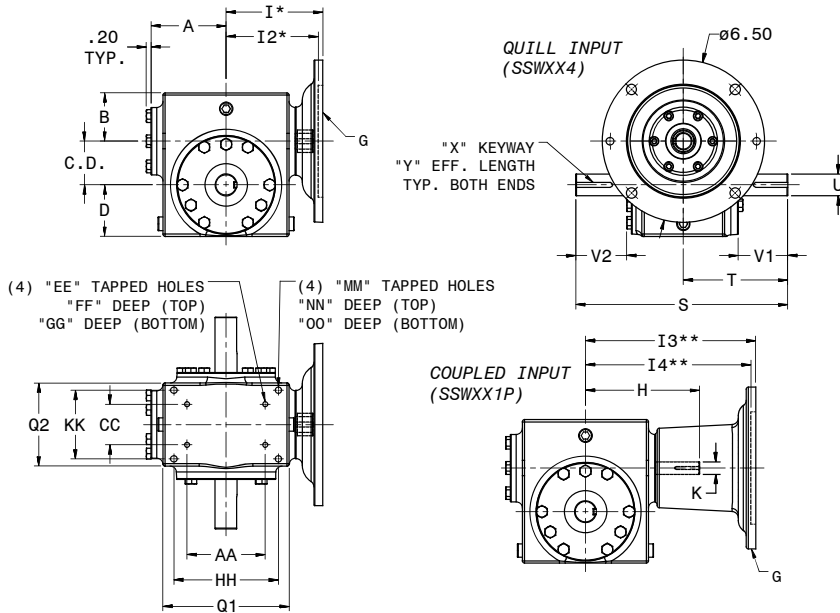
Hub City CleanLine™ Gear Drives

Hub³® Stainless Steel Worm Gear Drives

Single Reduction Models



SSW134, SSW154, SSW184, SSW214, SSW244, SSW264, SSW324, SSW131P, SSW151P, SSW181P, SSW211P, SSW241P, SSW261P & SSW321P



Refer to page 0-3 for features.

FOR LUBRICATION AND INSTALLATION INSTRUCTIONS REFER TO SECTION S.

CONSULT FACTORY FOR VERTICAL SHAFT LUBRICATION RECOMMENDATIONS.

INPUT SHAFT CAN BE ROTATED IN EITHER DIRECTION.

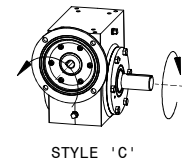
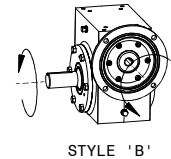
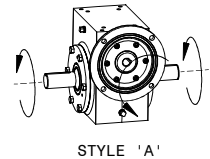
SHAFT INPUT MODELS AVAILABLE AS MFG. TO ORDER - CONSULT FACTORY FOR PRICE AND DELIVERY

DIMENSIONS SHOWN ARE FOR REFERENCE ONLY.

DOWNLOAD AVAILABLE CAD MODELS AT: WWW.HUBCITYINC.COM

QUILL INPUT MODELS	COUPLED INPUT MODELS	C.D.	A	B	D	G	H	K	I*	I2*	I3**	I4**
SSW134	SSW131P	1.334	2.38	1.605	1.718	56C	4.14	0.500	56C/140TC	180TC	56C/140TC	180TC
SSW154	SSW151P	1.541	2.91	1.928	1.906	56C	4.68	0.625	4.01	N/A	6.39	N/A
SSW184	SSW181P	1.751	3.01	1.937	2.062	56C / 140TC	4.77	0.625	4.11	N/A	7.02	N/A
SSW214	SSW211P	2.063	3.38	2.037	2.280	56C / 140TC	5.14	0.625	4.48	N/A	7.39	N/A
SSW244	SSW241P	2.376	3.69	2.061	2.500	56C / 140TC	6.07	0.750	4.63	N/A	8.32	N/A
						180TC			N/A	5.06	N/A	9.32
SSW264	SSW261P	2.626	4.25	2.434	2.940	56C / 140TC	6.63	0.750	5.19	N/A	8.88	N/A
						180TC			N/A	5.62	N/A	9.88
SSW324	SSW321P	3.251	4.94	2.629	3.500	56C / 140TC	7.32	0.875	5.88	N/A	9.57	N/A
						180TC			N/A	6.31▲	N/A	10.57

Standard Styles Available



* I and I2 DIMENSIONS APPLY TO QUILL INPUT MODELS (SSWXX4) ONLY.
 ** I3 and I4 DIMENSIONS APPLY TO COUPLED INPUT MODELS (SSWXX1P) ONLY.
 ▲ QUILL INPUT 210TC AVAILABLE WITH I2 DIMENSION OF 6.72. AS MFG. TO ORDER - CONSULT FACTORY FOR PRICE AND DELIVERY.

QUILL INPUT MODELS	COUPLED INPUT MODELS	AA	CC	EE	FF	GG	HH	KK	MM	NN	OO	Q1	Q2
SSW134	SSW131P	N/A	N/A	N/A	N/A	N/A	3.25	2.00	5/16 UNC	0.50	0.50	3.80	2.82
SSW154	SSW151P	N/A	N/A	N/A	N/A	N/A	4.19	2.75	5/16 UNC	0.63	0.63	4.88	3.44
SSW184	SSW181P	3.13	1.63	1/4 UNC	0.50	0.50	4.19	2.75	5/16 UNC	0.63	0.63	5.06	3.32
SSW214	SSW211P	4.00	2.00	5/16 UNC	0.63	0.63	4.75	3.00	5/16 UNC	0.63	0.63	5.80	3.60
SSW244	SSW241P	N/A	N/A	N/A	N/A	N/A	5.00	2.88	3/8 UNC	0.56	0.56	6.12	4.06
SSW264	SSW261P	4.88	2.69	3/8 UNC	0.69	0.69	6.38	3.38	3/8 UNC	0.69	0.69	7.25	4.54
SSW324	SSW321P	6.25	2.75	1/2 UNC	0.75	0.75	7.50	4.00	7/16 UNC	0.69	0.69	8.50	5.45

QUILL INPUT MODELS	COUPLED INPUT MODELS	S	T	U	V1	V2	X	Y	WT. LBS. QUILL INPUT	WT. LBS. COUPLED INPUT
SSW134	SSW131P	8.00	4.00	.6245/.6235	2.49	1.62	3/16 X 3/32	1.75	21	31
SSW154	SSW151P	8.62	4.31	.7495/.7485	2.45	1.58	3/16 X 3/32	1.75	21	31
SSW184	SSW181P	8.62	4.31	.8745/.8735	2.48	1.54	3/16 X 3/32	1.39	21	31
SSW214	SSW211P	9.36	4.68	.9995/.9985	2.66	1.72	1/4 X 1/8	1.45	30	44
SSW244	SSW241P	10.27	5.14	1.1245/1.1235	3.03	2.08	1/4 X 1/8	1.75	42	55
SSW264	SSW261P	11.26	5.63	1.2495/1.2485	3.10	2.16	1/4 X 1/8	2.01	42	57
SSW324	SSW321P	14.12	7.06	1.4995/1.4985	4.04	3.09	3/8 X 3/16	2.63	79	95

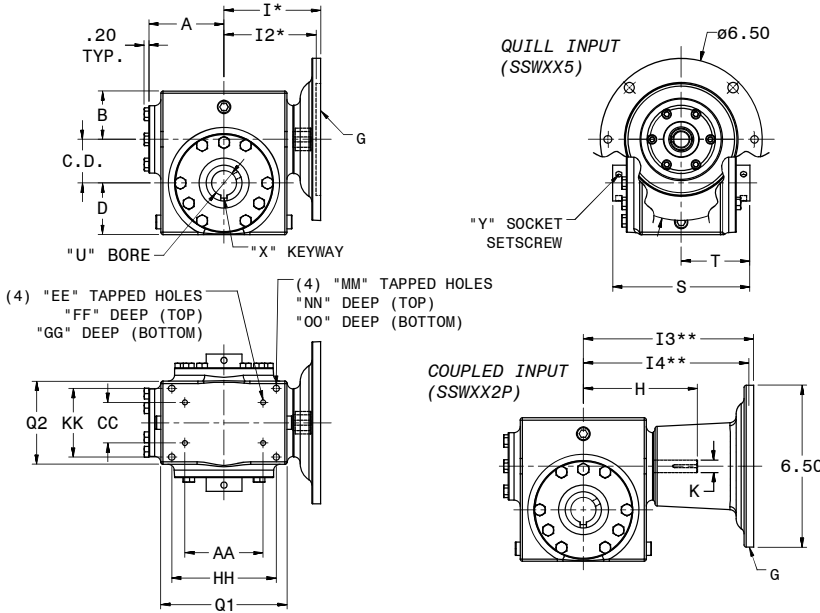


Hub City CleanLine™ Gear Drives

Hub³® Stainless Steel Worm Gear Drives

Single Reduction Models

SSW135, SSW155, SSW185, SSW215, SSW245, SSW265, SSW325, SSW132P, SSW152P, SSW182P, SSW212P, SSW242P, SSW262P & SSW322P



Refer to page 0-3 for features.

SHAFT MOUNTED UNITS REQUIRE TORQUE ARM. TORQUE ARM BRACKET KITS ARE AVAILABLE, SEE PAGE 0-17.

FOR LUBRICATION AND INSTALLATION INSTRUCTIONS REFER TO SECTION S.

CONSULT FACTORY FOR VERTICAL SHAFT LUBRICATION RECOMMENDATIONS.

INPUT SHAFT CAN BE ROTATED IN EITHER DIRECTION.

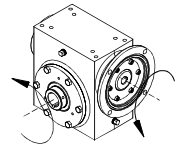
SHAFT INPUT MODELS AVAILABLE AS MFG. TO ORDER - CONSULT FACTORY FOR PRICE AND DELIVERY

DIMENSIONS SHOWN ARE FOR REFERENCE ONLY.

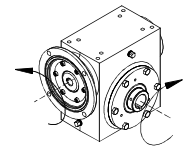
DOWNLOAD AVAILABLE CAD MODELS AT: WWW.HUBCITYINC.COM

QUILL INPUT MODELS	COUPLED INPUT MODELS	C.D.	A	B	D	G	H	K	I ^{1*} 56C/140TC	I ^{2*} 180TC	I ^{3**} 56C/140TC	I ^{4**} 180TC
SSW135	SSW132P	1.334	2.38	1.605	1.718	56C	4.14	0.500	3.48	N/A	6.39	N/A
SSW155	SSW152P	1.541	2.91	1.928	1.906	56C	4.68	0.625	4.01	N/A	6.92	N/A
SSW185	SSW182P	1.751	3.01	1.937	2.062	56C / 140TC	4.77	0.625	4.11	N/A	7.02	N/A
SSW215	SSW212P	2.063	3.38	2.037	2.280	56C / 140TC	5.14	0.625	4.48	N/A	7.39	N/A
SSW245	SSW242P	2.376	3.69	2.061	2.500	56C / 140TC 180TC	6.07	0.750	4.63 N/A	N/A 5.06	8.32 N/A	N/A 9.32
SSW265	SSW262P	2.626	4.25	2.434	2.940	56C / 140TC 180TC	6.63	0.750	5.19 N/A	N/A 5.62	8.88 N/A	N/A 9.88
SSW325	SSW322P	3.251	4.94	2.629	3.500	56C / 140TC 180TC	7.32	0.875	5.88 N/A	N/A 6.31 ▲	9.57 N/A	N/A 10.57

Standard Styles Available



STYLE 'A'



STYLE 'B'

* I¹ and I² DIMENSIONS APPLY TO QUILL INPUT MODELS (SSWXX5) ONLY.

** I³ and I⁴ DIMENSIONS APPLY TO COUPLED INPUT MODELS (SSWXX2P) ONLY.

▲ QUILL INPUT 210TC AVAILABLE WITH I² DIMENSION OF 6.72. AS MFG. TO ORDER - CONSULT FACTORY FOR PRICE AND DELIVERY.

QUILL INPUT MODELS	COUPLED INPUT MODELS	AA	CC	EE	FF	GG	HH	KK	MM	NN	OO	Q1	Q2
SSW135	SSW132P	N/A	N/A	N/A	N/A	N/A	3.25	2.00	5/16 UNC	0.50	0.50	3.80	2.82
SSW155	SSW152P	N/A	N/A	N/A	N/A	N/A	4.19	2.75	5/16 UNC	0.63	0.63	4.88	3.44
SSW185	SSW182P	3.13	1.63	1/4 UNC	0.50	0.50	4.19	2.75	5/16 UNC	0.63	0.63	5.06	3.32
SSW215	SSW212P	4.00	2.00	5/16 UNC	0.63	0.63	4.75	3.00	5/16 UNC	0.63	0.63	5.80	3.60
SSW245	SSW242P	N/A	N/A	N/A	N/A	N/A	5.00	2.88	3/8 UNC	0.56	0.56	6.12	4.06
SSW265	SSW262P	4.88	2.69	3/8 UNC	0.69	0.69	6.38	3.38	3/8 UNC	0.69	0.69	7.25	4.54
SSW325	SSW322P	6.25	2.75	1/2 UNC	0.75	0.75	7.50	4.00	7/16 UNC	0.69	0.69	8.50	5.45

Stock Output Bores

MINIMUM AND MAXIMUM BORE DIMENSIONS SHOWN.

FOR ADDITIONAL STOCK OUTPUT BORE SIZES AVAILABLE SEE PAGE 0-16.

QUILL INPUT MODELS	COUPLED INPUT MODELS	U (MIN.)	U (MAX.)	S	T	WT. LBS. QUILL INPUT	WT. LBS. COUPLED INPUT
SSW135	SSW132P	N/A	5/8	4.75	2.38	21	31
SSW155	SSW152P	N/A	5/8	5.42	2.71	21	31
SSW185	SSW182P	5/8	1	5.50	2.75	21	31
SSW215	SSW212P	1	1-1/2	6.00	3.00	30	44
SSW245	SSW242P	1	1-1/2	6.00	3.00	42	55
SSW265	SSW262P	1	1-1/2	7.00	3.50	42	57
SSW325	SSW322P	1-3/16	2-3/16	7.88	3.94	79	95



Select hollow output bore models in this product line are now available with the HubLoc® Keyless Bushing System. Refer to pages i and ii at front of this catalog for features, available sizes, and ordering information.

Hub City CleanLine™ Gear Drives

Hub³® Stainless Steel Worm Gear Drives

Double Reduction Catalog Ratings



Mechanical Rating (1.0 SF) & Continuous Duty Thermal Rating

RATIO	INPUT RPM	OUTPUT RPM	SSW1300			SSW1500			SSW1800			SSW2100		
			INPUT HP	EFF. %	OUTPUT TQ (IN-LB)	INPUT HP	EFF. %	OUTPUT TQ (IN-LB)	INPUT HP	EFF. %	OUTPUT TQ (IN-LB)	INPUT HP	EFF. %	OUTPUT TQ (IN-LB)
75	1750	23.3	0.22	65.6	381	0.39	61.9	654	0.42	69	776	0.63	72.1	1230
	1170	15.6	0.15	63.0	390	0.29	58.7	678	0.30	67	797	0.45	69.4	1266
100	1750	17.5	0.18	62.3	411	0.34	57.2	698	0.34	67	827	0.54	68.0	1315
	1170	11.7	0.13	60.0	420	0.25	53.8	721	0.24	64	847	0.38	65.4	1352
150	1750	11.7	0.12	59.8	395	0.23	53.6	674	0.24	64	809	0.37	65.0	1284
	1170	7.8	0.09	58.8	400	0.17	51.2	690	0.17	61	820	0.25	63.6	1303
200	1750	8.8	0.10	56.7	425	0.19	50.8	686	0.20	61	858	0.31	62.3	1372
	1170	5.9	0.08	53.3	430	0.14	47.8	698	0.14	59	868	0.22	59.7	1392
250	1750	7.0	0.09	51.1	417	0.16	46.2	660	0.17	58	861	0.25	59.9	1363
	1170	4.7	0.06	48.4	422	0.11	44.2	671	0.12	57	871	0.18	57.2	1381
300	1750	5.8	0.08	46.4	422	0.14	46.0	699	0.15	52	864	0.22	57.7	1392
	1170	3.9	0.06	43.3	427	0.10	44.4	706	0.11	49	876	0.16	55.1	1405
400	1750	4.4	0.06	48.4	432	0.11	44.1	705	0.11	54	874	0.18	54.7	1402
	1170	2.9	0.04	46.5	435	0.08	40.7	711	0.08	49	879	0.13	51.6	1412
500	1750	3.5	0.05	45.3	424	0.10	39.8	708	0.10	51	877	0.15	50.6	1408
	1170	2.3	0.01	228.6	427	0.07	37.7	713	0.07	47	882	0.11	48.1	1416
600	1750	2.9	0.05	41.7	430	0.09	38.4	711	0.09	46	882	0.13	48.5	1412
	1170	2.0	0.03	38.2	432	0.07	33.8	714	0.07	41	888	0.10	44.9	1419
750	1750	2.3	0.04	40.0	427	0.07	35.2	683	0.08	40	886	0.11	44.7	1409
	1170	1.6	0.03	36.7	429	0.06	30.9	686	0.06	38	891	0.09	41.4	1417
900	1750	1.9	0.04	36.1	432	0.07	29.9	665	0.07	40	888	0.10	43.0	1413
	1170	1.3	0.03	32.1	434	0.05	29.2	668	0.05	36	893	0.08	38.2	1420
1000	1750	1.8	0.04	31.6	428	0.06	31.7	715	0.06	39	884	0.10	41.4	1420
	1170	1.2	0.03	27.6	429	0.05	31.1	718	0.05	38	886	0.07	37.5	1424
1200	1750	1.5	0.03	29.4	434	0.05	32.7	717	0.06	36	892	0.09	38.6	1418
	1170	1.0	0.03	28.0	435	0.04	26.8	719	0.04	33	895	0.06	36.1	1423
1500	1750	1.2	0.03	26.7	429	0.05	25.0	689	0.05	32	893	0.08	35.5	1421
	1170	0.8	0.02	22.7	430	0.04	23.7	691	0.04	29	896	0.06	32.1	1426
1800	1750	1.0	0.03	25.0	435	0.05	22.2	601	0.05	29	895	0.07	33.8	1424
	1170	0.7	0.02	27.8	436	0.03	21.9	603	0.04	26	897	0.05	30.2	1427
2400	1750	0.7	0.02	23.8	438	0.04	17.9	644	0.04	28	887	0.06	28.6	1425
	1170	0.5	0.01	21.4	439	0.03	15.6	646	0.03	23	889	0.04	25.6	1429
3000	1750	0.6	0.02	19.0	437	0.03	18.2	605	0.03	25	869	0.05	24.5	1381
	1170	0.4	0.01	21.4	438	0.03	14.3	607	0.02	26	871	0.04	22.5	1384
3600	1750	0.5	0.02	15.0	421	0.03	13.8	562	0.03	26	854	0.05	22.9	1378
	1170	0.3	0.01	22.2	422	0.02	17.6	564	0.02	20	856	0.03	20.6	1381



Hub City CleanLine™ Gear Drives

Hub³® Stainless Steel Worm Gear Drives

Double Reduction Catalog Ratings

Mechanical Rating (1.0 SF) & Continuous Duty Thermal Rating

RATIO	INPUT RPM	OUTPUT RPM	SSW2400			SSW2600			SSW3200		
			INPUT HP	EFF. %	OUTPUT TQ (IN-LB)	INPUT HP	EFF. %	OUTPUT TQ (IN-LB)	INPUT HP	EFF. %	OUTPUT TQ (IN-LB)
75	1750	23.3	0.98	72.2	1910	1.23	74.3	2461	2.01	73.9	4002
	1170	15.6	0.70	69.7	1975	0.87	72.1	2540	1.57	70.7	4481
100	1750	17.5	0.83	68.4	2041	1.05	70.2	2649	1.98	70.8	5059
	1170	11.7	0.60	65.7	2109	0.76	67.3	2739	1.53	67.9	5592
150	1750	11.7	0.57	65.2	2010	0.75	67.6	2740	1.54	63.3	5243
	1170	7.8	0.40	63.7	2045	0.53	65.2	2803	1.14	59.8	5485
200	1750	8.8	0.48	62.3	2145	0.60	64.3	2787	1.21	63.6	5534
	1170	5.9	0.34	59.9	2182	0.43	61.7	2835	0.87	60.3	5658
250	1750	7.0	0.41	59.3	2160	0.50	61.7	2779	1.02	60.7	5557
	1170	4.7	1.28	12.9	2195	0.36	59.3	2824	0.74	57.6	5675
300	1750	5.8	0.35	58.1	2182	0.44	59.9	2835	0.93	55.5	5615
	1170	3.9	0.25	55.2	2207	0.31	56.7	2868	0.68	52.4	5747
400	1750	4.4	0.28	55.0	2201	0.35	56.7	2860	0.74	54.3	5722
	1170	2.9	0.20	51.8	2220	0.25	53.4	2885	0.52	50.9	5786
500	1750	3.5	0.24	51.0	2212	0.30	52.8	2875	0.59	51.1	5440
	1170	2.3	0.17	47.9	2227	0.22	49.3	2895	0.41	47.6	5400
600	1750	2.9	0.21	47.4	2205	0.25	50.2	2752	0.57	46.9	5817
	1170	2.0	0.15	44.8	2224	0.17	46.2	2568	0.42	43.4	5886
750	1750	2.3	0.18	44.8	2217	0.22	47.9	2871	0.48	44.2	5858
	1170	1.6	0.14	41.6	2232	0.17	44.0	2887	0.37	40.5	5914
900	1750	1.9	0.16	42.1	2224	0.19	45.5	2848	0.44	40.2	5886
	1170	1.3	0.12	39.0	2237	0.14	41.8	2863	0.33	37.0	5933
1000	1750	1.8	0.15	40.8	2175	0.16	42.3	2309	0.41	40.1	5776
	1170	1.2	0.10	38.4	1989	0.05	80.0	2107	0.30	36.9	5827
1200	1750	1.5	0.14	38.1	2234	0.13	38.4	2029	0.38	36.0	5731
	1170	1.0	0.10	35.0	2244	0.08	35.8	1882	0.26	32.9	5503
1500	1750	1.2	0.12	36.1	2240	0.11	37.2	2209	0.28	33.0	4905
	1170	0.8	0.09	33.3	2248	0.08	33.8	2044	0.20	29.4	4684
1800	1750	1.0	0.11	32.4	2244	0.11	35.5	2365	0.22	30.3	4221
	1170	0.7	0.09	29.4	2250	0.08	32.0	2184	0.17	26.6	4045
2400	1750	0.7	0.09	28.7	2244	0.10	29.2	2563	0.18	27.9	4565
	1170	0.5	0.07	26.1	2250	0.07	27.1	2336	0.14	24.1	4318
3000	1750	0.6	0.08	26.3	2206	0.09	28.6	2691	0.18	25.3	4823
	1170	0.4	0.06	24.6	2212	0.06	26.2	2456	0.13	22.5	4553
3600	1750	0.5	0.06	26.6	2090	0.08	26.2	2741	0.17	23.0	5064
	1170	0.3	0.04	23.8	2095	0.06	23.6	2748	0.11	20.5	4767

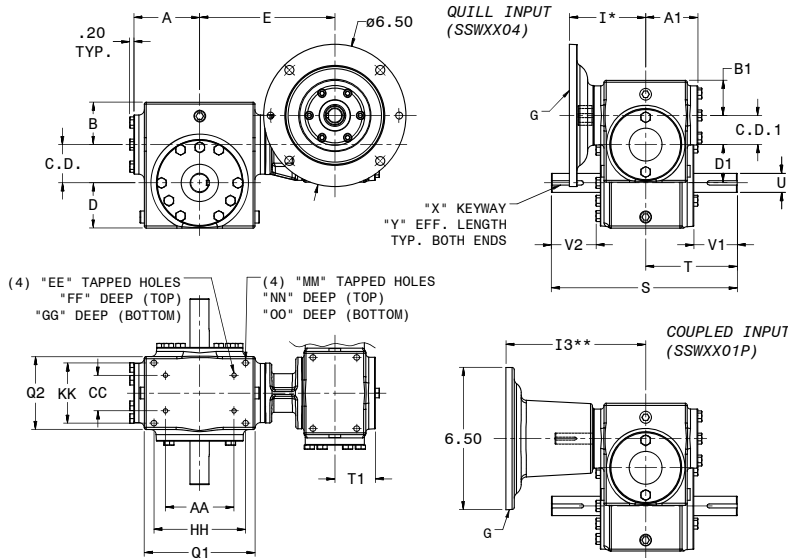
Hub City CleanLine™ Gear Drives

Hub³® Stainless Steel Worm Gear Drives

Double Reduction Models



SSW1304, SSW1504, SSW1804, SSW2104, SSW2404, SSW2604, SSW3204, SSW1301P, SSW1501P, SSW1801P, SSW2101P, SSW2401P, SSW2601P & SSW3201P



Refer to page 0-3 for features.

FOR LUBRICATION AND INSTALLATION INSTRUCTIONS REFER TO SECTION S.

CONSULT FACTORY FOR VERTICAL SHAFT LUBRICATION RECOMMENDATIONS.

INPUT SHAFT CAN BE ROTATED IN EITHER DIRECTION.

DIMENSIONS SHOWN ARE FOR REFERENCE ONLY.

DOWNLOAD AVAILABLE CAD MODELS AT: WWW.HUBCITYINC.COM

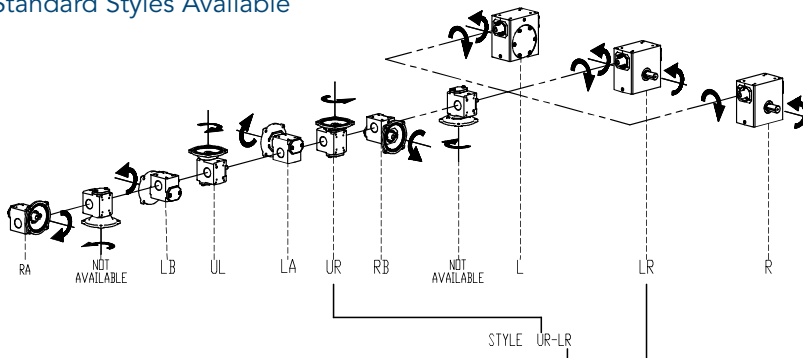
QUILL INPUT MODELS	COUPLED INPUT MODELS	C.D.	A	B	D	Q1	Q2	E	T1	C.D.1	A1	B1	D1	G	I*	I3**	WT. LBS. QUILL INPUT	WT. LBS. COUPLED INPUT
SSW1304	SSW1301P	1.334	2.38	1.605	1.718	3.80	2.82	5.55	1.85	1.334	2.38	1.605	1.718	56C	3.48	6.39	42	52
SSW1504	SSW1501P	1.541	2.91	1.928	1.906	4.88	3.44	6.08	1.85	1.334	2.38	1.605	1.718	56C	3.48	6.39	42	52
SSW1804	SSW1801P	1.751	3.01	1.937	2.062	5.06	3.32	6.18	1.85	1.334	2.38	1.605	1.718	56C	3.48	6.39	42	52
SSW2104	SSW2101P	2.063	3.38	2.037	2.280	5.80	3.60	6.55	1.85	1.334	2.38	1.605	1.718	56C	3.48	6.39	52	62
SSW2404	SSW2401P	2.376	3.69	2.061	2.500	6.12	4.06	6.86	1.85	1.334	2.38	1.605	1.718	56C	3.48	6.39	42	52
SSW2604	SSW2601P	2.626	4.25	2.434	2.940	7.25	4.54	7.42	1.85	1.334	2.38	1.605	1.718	56C	3.48	6.39	63	73
SSW3204	SSW3201P	3.251	4.94	2.629	3.500	8.50	5.45	8.43	2.20	1.751	3.01	1.937	2.062	56C / 140TC	4.11	7.02	99	110

* I DIMENSION APPLIES TO QUILL INPUT MODELS (SSWXX04) ONLY.

** I3 DIMENSION APPLIES TO COUPLED INPUT MODELS (SSWXX01P) ONLY.

QUILL INPUT MODELS	COUPLED INPUT MODELS	S	T	U	V1	V2	X	Y	AA	CC	EE	FF	GG	HH	KK	MM	NN	OO
SSW1304	SSW1301P	8.00	4.00	.6245/.6235	2.49	1.62	3/16 X 3/32	1.75	N/A	N/A	N/A	N/A	N/A	3.25	2.00	5/16 UNC	0.50	0.50
SSW1504	SSW1501P	8.62	4.31	.7495/.7485	2.45	1.58	3/16 X 3/32	1.75	N/A	N/A	N/A	N/A	N/A	4.19	2.75	5/16 UNC	0.63	0.63
SSW1804	SSW1801P	8.62	4.31	.8745/.8735	2.48	1.54	3/16 X 3/32	1.39	3.13	1.63	1/4 UNC	0.50	0.50	4.19	2.75	5/16 UNC	0.63	0.63
SSW2104	SSW2101P	9.36	4.68	.9995/.9985	2.66	1.72	1/4 X 1/8	1.45	4.00	2.00	5/16 UNC	0.63	0.63	4.75	3.00	5/16 UNC	0.63	0.63
SSW2404	SSW2401P	10.27	5.14	1.1245/1.1235	3.03	2.08	1/4 X 1/8	1.75	N/A	N/A	N/A	N/A	N/A	5.00	2.88	3/8 UNC	0.56	0.56
SSW2604	SSW2601P	11.26	5.63	1.2495/1.2485	3.10	2.16	1/4 X 1/8	2.01	4.88	2.69	3/8 UNC	0.69	0.69	6.38	3.38	3/8 UNC	0.69	0.69
SSW3204	SSW3201P	14.12	7.06	1.4995/1.4985	4.04	3.09	3/8 X 3/16	2.63	6.25	2.75	1/2 UNC	0.75	0.75	7.50	4.00	7/16 UNC	0.69	0.69

Standard Styles Available



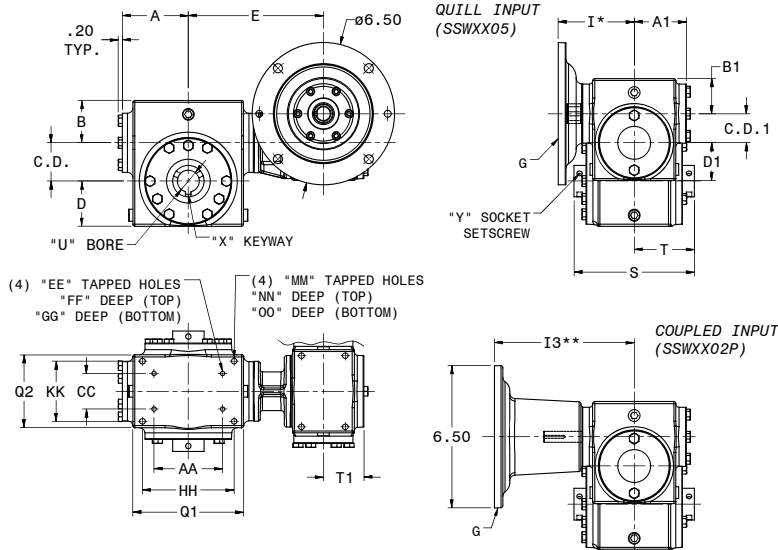


Hub City CleanLine™ Gear Drives

Hub³® Stainless Steel Worm Gear Drives

Double Reduction Models

SSW1305, SSW1505, SSW1805, SSW2105, SSW2405, SSW2605, SSW3205,
SSW1302P, SSW1502P, SSW1802P, SSW2102P, SSW2402P, SSW2602P &
SSW3202P



Refer to page 0-3 for features.

SHAFT MOUNTED UNITS REQUIRE TORQUE ARM. TORQUE ARM BRACKET KITS ARE AVAILABLE, SEE PAGE 0-17.

FOR LUBRICATION AND INSTALLATION INSTRUCTIONS REFER TO SECTION S.

CONSULT FACTORY FOR VERTICAL SHAFT LUBRICATION RECOMMENDATIONS.

INPUT SHAFT CAN BE ROTATED IN EITHER DIRECTION.

DIMENSIONS SHOWN ARE FOR REFERENCE ONLY.

DOWNLOAD AVAILABLE CAD MODELS AT:
WWW.HUBCITYINC.COM

QUILL INPUT MODELS	COUPLED INPUT MODELS	C.D.	A	B	D	Q1	Q2	E	T1	C.D.1	A1	B1	D1	G	I*	I3**
SSW1305	SSW1302P	1.334	2.38	1.605	1.718	3.80	2.82	5.55	1.85	1.334	2.38	1.605	1.718	56C	3.48	6.39
SSW1505	SSW1502P	1.541	2.91	1.928	1.906	4.88	3.44	6.08	1.85	1.334	2.38	1.605	1.718	56C	3.48	6.39
SSW1805	SSW1802P	1.751	3.01	1.937	2.062	5.06	3.32	6.18	1.85	1.334	2.38	1.605	1.718	56C	3.48	6.39
SSW2105	SSW2102P	2.063	3.38	2.037	2.280	5.80	3.60	6.55	1.85	1.334	2.38	1.605	1.718	56C	3.48	6.39
SSW2405	SSW2402P	2.376	3.69	2.061	2.500	6.12	4.06	6.86	1.85	1.334	2.38	1.605	1.718	56C	3.48	6.39
SSW2605	SSW2602P	2.626	4.25	2.434	2.940	7.25	4.54	7.42	1.85	1.334	2.38	1.605	1.718	56C	3.48	6.39
SSW3205	SSW3202P	3.251	4.94	2.629	3.500	8.50	5.45	8.43	2.20	1.751	3.01	1.937	2.062	56C / 140TC	4.11	7.02

* I DIMENSION APPLIES TO QUILL INPUT MODELS (SSWXX05) ONLY.
** I3 DIMENSION APPLIES TO COUPLED INPUT MODELS (SSWXX02P) ONLY.

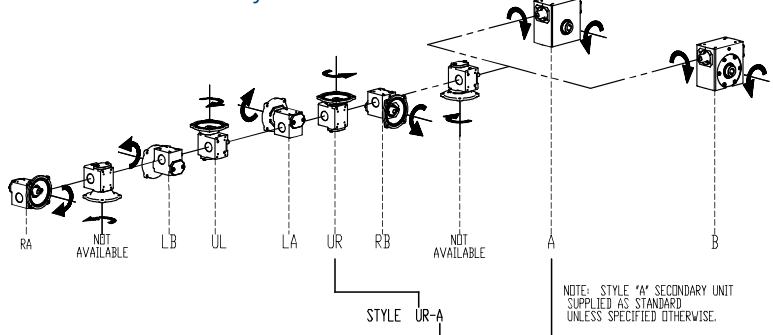
QUILL INPUT MODELS	COUPLED INPUT MODELS	AA	CC	EE	FF	GG	HH	KK	MM	NN	OO	WT. LBS. QUILL INPUT	WT. LBS. COUPLED INPUT
SSW1305	SSW1302P	N/A	N/A	N/A	N/A	N/A	3.25	2.00	5/16 UNC	0.50	0.50	42	52
SSW1505	SSW1502P	N/A	N/A	N/A	N/A	N/A	4.19	2.75	5/16 UNC	0.63	0.63	42	52
SSW1805	SSW1802P	3.13	1.63	1/4 UNC	0.50	0.50	4.19	2.75	5/16 UNC	0.63	0.63	42	52
SSW2105	SSW2102P	4.00	2.00	5/16 UNC	0.63	0.63	4.75	3.00	5/16 UNC	0.63	0.63	52	62
SSW2405	SSW2402P	N/A	N/A	N/A	N/A	N/A	5.00	2.88	3/8 UNC	0.56	0.56	42	52
SSW2605	SSW2602P	4.88	2.69	3/8 UNC	0.69	0.69	6.38	3.38	3/8 UNC	0.69	0.69	63	73
SSW3205	SSW3202P	6.25	2.75	1/2 UNC	0.75	0.75	7.50	4.00	7/16 UNC	0.69	0.69	99	110

Stock Output Bores

MINIMUM AND MAXIMUM BORE DIMENSIONS SHOWN.
FOR ADDITIONAL STOCK OUTPUT BORE SIZES AVAILABLE SEE PAGE 0-16.

QUILL INPUT MODELS	COUPLED INPUT MODELS	U (MIN.)	U (MAX.)	S	T
SSW1305	SSW1302P	N/A	5/8	4.75	2.38
SSW1505	SSW1502P	N/A	5/8	5.42	2.71
SSW1805	SSW1802P	5/8	1	5.50	2.75
SSW2105	SSW2102P	1	1-1/2	6.00	3.00
SSW2405	SSW2402P	1	1-1/2	6.00	3.00
SSW2605	SSW2602P	1	1-1/2	7.00	3.50
SSW3205	SSW3202P	1-3/16	2-3/16	7.88	3.94

Standard Styles Available



Select hollow output bore models in this product line are now available with the HubLoc® Keyless Bushing System. Refer to pages i and ii at front of this catalog for features, available sizes, and ordering information.



CleanLine™

Hub City CleanLine™ Gear Drives

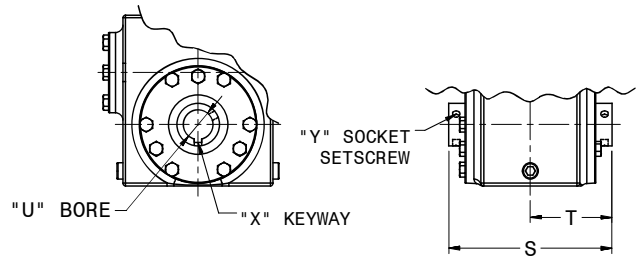
Hub³® Stainless Steel Worm Gear Drives

Stock Output Bore Sizes & Accessories



Stock Output Bores

SERIES	U	X	KEY FURNISHED	Y
SSW130 & SSW1300	5/8 (MAX.)	3/16 X 3/32	3/16 SQ	10-24 NC X 1/4 LG
SSW150 & SSW1500	5/8 (MAX.)	3/16 X 3/32	3/16 SQ	10-24 NC X 1/4 LG
SSW180 & SSW1800	5/8	3/16 X 3/32	3/16 SQ	1/4 NC X 1/4 LG
	11/16	3/16 X 3/32	3/16 SQ	1/4 NC X 1/4 LG
	3/4	3/16 X 3/32	3/16 SQ	1/4 NC X 1/4 LG
	7/8	3/16 X 3/32	3/16 SQ	1/4 NC X 1/4 LG
	1 (MAX.)	1/4 X 1/8	1/4 SQ	1/4 NC X 1/4 LG
SSW210, SSW2100, SSW240, SSW2400, SSW260, & SSW2600	1	1/4 X 1/8	1/4 SQ	1/4 NC X 1/4 LG
	1-1/8	1/4 X 1/8	1/4 SQ	1/4 NC X 1/4 LG
	1-3/16	1/4 X 1/8	1/4 SQ	1/4 NC X 1/4 LG
	1-1/4	1/4 X 1/8	1/4 SQ	1/4 NC X 1/4 LG
	1-7/16	3/8 X 1/8	3/8 X 5/16	1/4 NC X 1/4 LG
	1-1/2 (MAX.)	3/8 X 1/8	3/8 X 5/16	1/4 NC X 1/4 LG
SSW320 & SSW3200	1-3/16	1/4 X 1/8	1/4 SQ	5/16 NC X 1/4 LG
	1-1/4	1/4 X 1/8	1/4 SQ	5/16 NC X 1/4 LG
	1-7/16	3/8 X 3/16	3/8 SQ	5/16 NC X 1/4 LG
	1-1/2	3/8 X 3/16	3/8 SQ	5/16 NC X 1/4 LG
	1-5/8	3/8 X 3/16	3/8 SQ	5/16 NC X 1/4 LG
	1-11/16	3/8 X 3/16	3/8 SQ	5/16 NC X 1/4 LG
	1-3/4	3/8 X 3/16	3/8 SQ	5/16 NC X 1/4 LG
	1-7/8	1/2 X 1/4	1/2 SQ	5/16 NC X 1/4 LG
	1-15/16	1/2 X 1/8	1/2 SQ	5/16 NC X 1/4 LG
	2	1/2 X 1/4	1/2 SQ	5/16 NC X 1/4 LG
	2-3/16 (MAX.)	1/2 X 1/8	1/2 X 3/8	5/16 NC X 1/4 LG



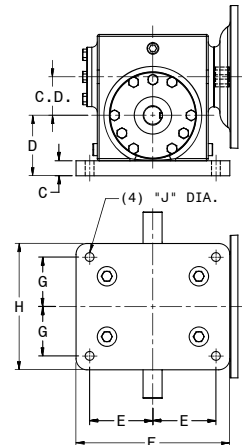
BORE TOLERANCE NOMINAL +.002

BRONZE OUTPUT BUSHING KITS AVAILABLE FOR 1.000 AND 1.250 BORES IN SERIES SSW210 AND LARGER. 1.438 STOCK BORE REQUIRED. SEE PAGE O-24 BRONZE OUTPUT BUSHING KITS FOR ADDITIONAL DETAILS.

Horizontal Base Kits

SERIES	HORIZONTAL BASE KIT NUMBER *	KIT SHIPPING WT. LBS.	C.D.	C	D	E	F	G	H	J
SSW130	0279-00803	6.5	1.334	0.531	2.249	2.188	5.38	1.656	4.24	0.344
SSW150	0279-00804	6.5	1.541	0.594	2.500	2.625	6.50	2.156	5.56	0.406
SSW180	0279-00805	6.5	1.751	0.690	2.752	2.875	7.00	2.250	5.75	0.406
SSW210	0279-00806	4.4	2.063	0.719	2.999	3.188	7.69	2.344	6.00	0.468
SSW240	0279-00807	8	2.376	0.750	3.250	3.531	8.38	2.438	6.19	0.469
SSW260	0279-00808	8	2.626	0.750	3.690	4.000	9.25	2.625	6.50	0.531
SSW320	0279-00809	14	3.251	0.875	4.375	4.750	11.13	3.062	7.75	0.531

* CONSULT FACTORY FOR VERTICAL SHAFT APPLICATIONS



Protective Cover Kits



SERIES	KIT NUMBER *	KIT SHIPPING WT. LBS.
SSW130	0279-00823	1
SSW150		
SSW180	0279-00824	1
SSW210	0279-00825	1
SSW240		
SSW260		
SSW320	0279-00826	1

* COVER CAN BE INSTALLED ON EITHER SIDE OF OUTPUT.

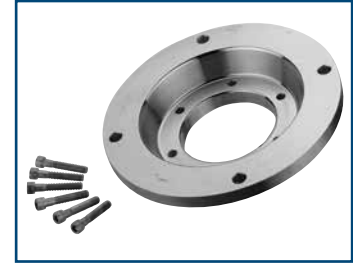
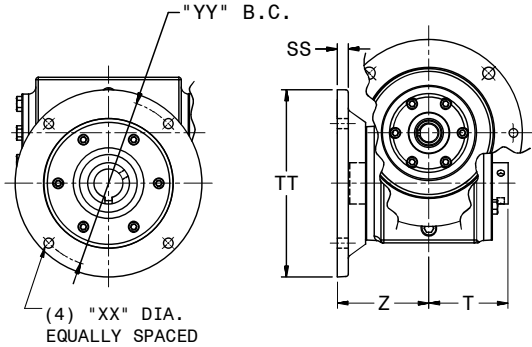
DIMENSIONS SHOWN ARE FOR REFERENCE ONLY.
 DOWNLOAD AVAILABLE CAD MODELS AT:
WWW.HUBCITYINC.COM



Hub City CleanLine™ Gear Drives

Hub³® Stainless Steel Worm Gear Drives

Accessories & Options



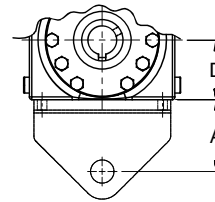
Hub³® F-Flange Mounting Kits

SERIES	TORQUE ARM BRACKET KIT NUMBER *	KIT SHIPPING WT. LBS.	T	Z	SS	TT	YY
SSW130	0279-00810	6.1	2.38	3.05	0.38	6.00	5.000
SSW150			2.71	3.39			
SSW180	0279-00811	6.1	2.75	3.73	0.38	6.50	5.875
SSW210	0279-00812	6.5	3.00	4.30	0.44	7.88	7.000
SSW240	0279-00813	18	3.00	4.24	0.44	8.38	7.500
SSW260	0279-00814	18	3.50	4.30	0.50	8.88	8.000
SSW320	0279-00815	19	3.94	4.58	0.50	9.88	9.000

* F-FLANGE CAN ONLY MOUNT TO OUTPUT COVER SIDE OF REDUCER. APPROPRIATE ASSEMBLY STYLE OF GEARBOX MUST BE ORDERED TO ACCOMMODATE F-FLANGE MOUNTING. REFERENCE MODEL DIMENSION PAGES O-10-11 & O-14-15.

Hub³® Torque Arm Brackets

SERIES*	TORQUE ARM BRACKET KIT NUMBER	KIT SHIPPING WT. LBS.	D	A
SSW130	0279-00816	2	1.718	1.25
SSW150	0279-00817	2	1.906	2.50
SSW180	0279-00818	2	2.062	2.50
SSW210	0279-00819	2	2.280	3.15
SSW240	0279-00820	2	2.500	3.25
SSW260	0279-00821	2	2.940	3.75
SSW320	0279-00822	3	3.500	5.00

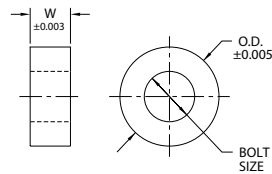
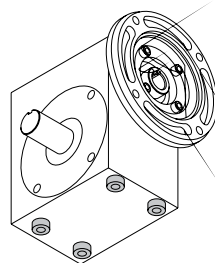


* SAME KTS ARE USED WHEN THE MODEL IS THE FINAL UNIT ON A DOUBLE REDUCTION Hub³® WORM GEAR REDUCER.

316 Stainless Steel Clearance Spacers

(For Worm Gear and Bevel Gear Drives)

BOLT SIZE	SPACER NO.	O.D.	W
1/4	8471601286	0.625	0.375
5/16	8471601287	0.688	0.375
3/8	8471601288	0.812	0.375
7/16	8471601289	0.922	0.375
1/2	8471601290	0.969	0.375
5/8	8471601291	1.312	0.375



DIMENSIONS SHOWN ARE FOR REFERENCE ONLY. DOWNLOAD AVAILABLE CAD MODELS AT: WWW.HUBCITYINC.COM

ORDER (1) SPACER FOR EACH MOUNTING HOLE REQUIRED. CONSULT FACTORY FOR ADDITIONAL SIZES AVAILABLE.

CLEARANCE SPACERS ARE AN EXCELLENT METHOD OF ADDING SPACE BETWEEN THE GEARBOX AND ITS MOUNTING SURFACE. CLEARANCE SPACERS MINIMIZE THE SURFACE CONTACT AREA BETWEEN THE GEARBOX AND ITS MOUNTING SURFACE TO REDUCE POTENTIAL BACTERIAL GROWTH AREAS.

CLEARANCE SPACERS PROVIDE SPACE FOR CLEANING BRUSHES TO BE USED DURING SANITATION PROCESSES. THE SPACERS ALLOW ACCESSIBILITY WHEN CLEANING BY HIGH-PRESSURE WASHING OR CIRCULATION OF FLOWING CHEMICAL SOLUTIONS, CLEANING LIQUIDS AND WATER RINSES.



Select hollow output bore models in this product line are now available with the HubLoc® Keyless Bushing System. Refer to pages i and ii at front of this catalog for features, available sizes, and ordering information.

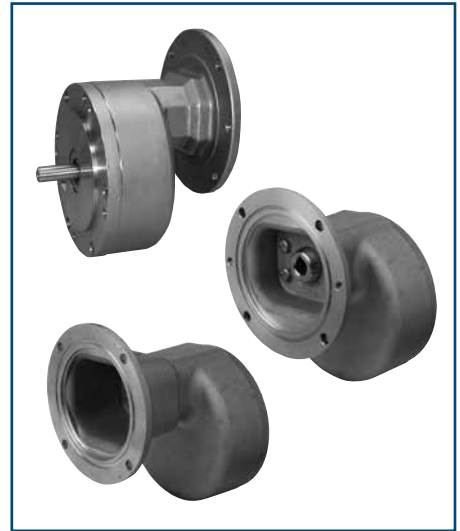
Hub City CleanLine™ Gear Drives

Stainless Steel Ratio Multipliers

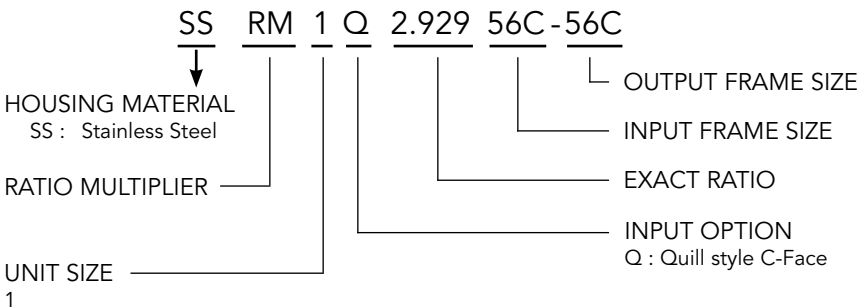
Model SSRM1 - Single Reduction

Features

- 316 Stainless Steel Housing and 303 Stainless Steel Shafts
- Smooth Cast Surface Finish
- Ratios up to 7.462/1
- Factory Filled with USDA H1 Lubricant for Application Service Life of the Drive
- Configured for Severe High Pressure & Chemical Washdown Environments
- BISSC Certified and HACCP compatible
- Packaged with Marathon POWERWASH SXT All-Stainless Motors
- Ideal for use between a stainless steel motor and a C-face stainless steel gear drive to gain needed additional gear reduction.



Model Nomenclature Example



FOR LUBRICATION AND INSTALLATION INSTRUCTIONS REFER TO SECTION S.

DIMENSIONS SHOWN ARE FOR REFERENCE ONLY.

DOWNLOAD AVAILABLE CAD MODELS AT:
WWW.HUBCITYINC.COM

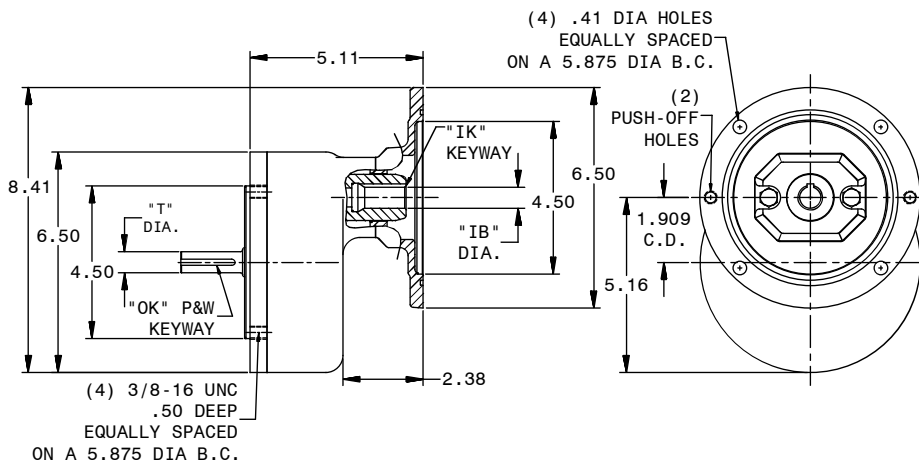
SSRM1 RATINGS @ 1750 RPM INPUT

RATIO	OUTPUT RPM	INPUT HP	OUTPUT TORQUE	MAX LS OHL
2.056	851	4.69	347	222
2.929	598	3.64	384	265
4.000	438	2.91	419	300
5.111	342	2.33	428	300
7.462	235	1.56	419	300

WEIGHT (LBS.) - 20

SSRM1 INPUT	IB	IK
56C	0.625	3/16 X 3/32
140TC	0.875	3/16 X 3/32

SSRM1 OUTPUT	T	OK
56C	0.625	3/16 X 3/32
140TC	0.875	3/16 X 3/32



Hub City CleanLine™ Gear Drives

Stainless Steel Helical-HERA® Compound Speed Reducer Assemblies

A Stainless Steel Helical Ratio Multiplier, when coupled with a C-faced SSHERA® Gear Drive (see illustration) can create an efficient compound speed reducer assembly. Please refer to rating chart example below for selection instructions.

Note: See page O-18 for dimensions and available frame sizes of Stainless Steel Helical Ratio Multipliers and page O-22 for dimensions and available frame sizes of SSHERA models. Units to be ordered separately.

SS Helical-HERA® Compound Reduction Mechanical Ratings

RATINGS @ 1750 INPUT RPM, 1.00 SERVICE FACTOR

USE CHARTS BELOW WHEN COUPLING A STAINLESS STEEL HELICAL RATIO MULTIPLIER WITH A SSHERA® GEAR DRIVE

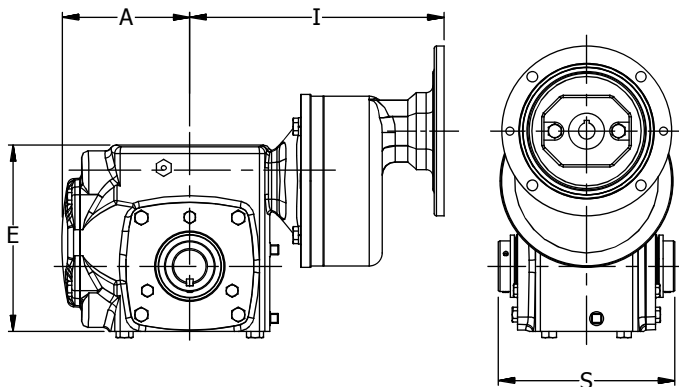
TOTAL RATIO	OUTPUT RPM	SSHERA MODEL	SSHERA RATIO	SSRM RATIO	INPUT HP	OUTPUT TORQUE
79.73		HERA35	15.60	5.111		
85.22		HERA35	11.42	7.462		
89.50		SSHERA35	43.53	2.056		
101.86	17.2	SSHERA35	19.93	5.111	0.35	1,100
107.94	16.2	SSHERA35	52.50	2.056	0.33	1,100
116.41	15.0	SSHERA35	29.10	4.000	0.31	1,100
119.93			58.33	2.056		

1. Select Total Ratio Desired

2. Select by Input HP or Output Tq required for your application

3. Order C-face model of SSHERA model and ratio listed here (see page O-21)

4. Order SSRM1 model and ratio listed here



STAINLESS STEEL HELICAL-HERA® COMPOUND SPEED REDUCER ASSEMBLIES

SSHERA® UNIT	SS HELICAL RATIO MULTIPLIER	A	E	I	S
SSHERA35	SSRM1Q	4.26	5.93	9.55	6.00
SSHERA45	SSRM1Q	4.90	7.14	9.74	6.75

NOTE: INPUT FRAME SIZE OF SSHERA® gear drive MUST match OUTPUT frame size of Stainless Steel Helical Ratio Multiplier. (See dimensional pages referenced above for available frame sizes)

TOTAL RATIO	OUTPUT RPM	SSHERA MODEL	SSHERA RATIO	SSRM RATIO	INPUT HP	OUTPUT TORQUE
79.73	21.9	SSHERA35	15.60	5.111	0.45	1,100
85.22	20.5	SSHERA35	11.42	7.462	0.42	1,100
89.50	19.6	SSHERA35	43.53	2.056	0.40	1,100
101.86	17.2	SSHERA35	19.93	5.111	0.35	1,100
107.94	16.2	SSHERA35	52.50	2.056	0.33	1,100
116.40	15.0	SSHERA35	29.10	4.000	0.31	1,100
119.93	14.6	SSHERA35	58.33	2.056	0.30	1,100
127.50	13.7	SSHERA35	43.53	2.929	0.28	1,100
148.73	11.8	SSHERA35	29.10	5.111	0.24	1,100
170.85	10.2	SSHERA35	58.33	2.929	0.21	1,100
174.12	10.1	SSHERA35	43.53	4.000	0.21	1,100
210.00	8.3	SSHERA35	52.50	4.000	0.17	1,100
222.48	7.9	SSHERA35	43.53	5.111	0.16	1,100
233.32	7.5	SSHERA35	58.33	4.000	0.15	1,100
268.33	6.5	SSHERA35	52.50	5.111	0.13	1,100
298.12	5.9	SSHERA35	58.33	5.111	0.12	1,100
324.82	5.4	SSHERA35	43.53	7.462	0.11	1,100
391.76	4.5	SSHERA35	52.50	7.462	0.09	1,100
435.26	4.0	SSHERA35	58.33	7.462	0.08	1,100

TOTAL RATIO	OUTPUT RPM	SSHERA MODEL	SSHERA RATIO	SSRM RATIO	INPUT HP	OUTPUT TORQUE
79.73	21.9	SSHERA45	15.60	5.111	1.06	2,600
99.66	17.6	SSHERA45	19.50	5.111	0.85	2,600
107.94	16.2	SSHERA45	52.50	2.056	0.78	2,600
112.04	15.6	SSHERA45	28.01	4.000	0.75	2,600
116.41	15.0	SSHERA45	15.60	7.462	0.73	2,600
117.10	14.9	SSHERA45	39.98	2.929	0.72	2,600
122.93	14.2	SSHERA45	59.79	2.056	0.69	2,600
143.16	12.2	SSHERA45	28.01	5.111	0.59	2,600
153.77	11.4	SSHERA45	52.50	2.929	0.55	2,600
159.92	10.9	SSHERA45	39.98	4.000	0.53	2,600
175.12	10.0	SSHERA45	59.79	4.000	0.48	2,600
204.34	8.6	SSHERA45	39.98	5.111	0.41	2,600
210.00	8.3	SSHERA45	52.50	4.000	0.40	2,600
239.16	7.3	SSHERA45	59.79	4.000	0.35	2,600
268.33	6.5	SSHERA45	52.50	5.111	0.31	2,600
298.33	5.9	SSHERA45	39.98	7.462	0.28	2,600
305.59	5.7	SSHERA45	59.79	5.111	0.28	2,600
391.76	4.5	SSHERA45	52.50	7.462	0.22	2,600
446.15	3.9	SSHERA45	59.79	7.462	0.19	2,600

NOTE: Output TQ measured in in-lb.
All ratios will backdrive due to High Efficiency Gearing.

Hub City CleanLine™ Gear Drives

Stainless Steel HERA® (High-Efficiency Right Angle)

Why Stainless Steel HERA®?

- Up to 40% more efficient than standard worm gearing
- Dimensionally interchangeable to up to 4 sizes of worm drives for inventory consolidation
- Smooth cast surface finish
- 90% efficiency
- Up to 2X torque density of worm speed reducers
- No-hassle bolt-in replacement of major brands of worm speed reducers
- Bronze bushing quill liner in 56C and 143TC frames to prevent fretting and for easy motor removal
- Factory filled with USDA H1 lubricant for application service life of the drive
- Dual lip seals configured for severe high pressure and chemical washdown environments
- 316 Stainless steel housings and 303 Stainless steel shafts
- HACCP compatible
- BISSC certified
- Packaged with Marathon PowerWash SXT All-Stainless Motors (Refer to Section E)



PATENTED

PAT. <http://rbcm.biz/q=F3A63>

HERA® ENERGY SAVINGS BENEFITS

Go Online to Calculate Your Savings!

www.hubcityinc.com/energy_calculator/efficiency_calculator.html

SSHERA® Ordering Information

SSHERA45	E	S	28.01	143TC	1.438	0259-00245	0259-00216
Basic Model	Input Style	Output Style	Exact Ratio	Frame Size	Bore Size	Shaft Kit	B-Base Kit
SSHERA35 SSHERA45	A: Shaft Input E: C-face Quill P: C-face Coupled	S: (Sleeve) Hollow Bore K: Unit accepts Hubloc® Keyless Bushing System	See Ratings Chart for Available Ratios	See Dimensional Table for Available Frame Sizes	See Stock Bores Table - or - KLS: Unit accepts HubLoc® Keyless Bushing System	See Accessories Page For available Accessories	See Accessories Page For available Accessories



Select hollow output bore models in this product line are now available with the HubLoc® Keyless Bushing System. Refer to pages i and ii at front of this catalog for features, available sizes, and ordering information.

Hub City CleanLine™ Gear Drives

Stainless Steel HERA® Selection Process

Step 1

Select Basic Model

Using the rating chart below, select basic model and ratio based on application Hp, service factor and output torque requirements (Please note color-coding for quick selection by motor HP). OR, if interchanging from competitor worm drive, use the interchange chart on page O-26 to select the basic model.

Basic Model Quick Selection By Motor HP

1.0 SERVICE FACTOR @ 1750 RPM INPUT

NOM. RATIO	1/2	3/4	1	1-1/2	2	3	5	7-1/2	10	15	20
7/1	35	35	35	35	35	35	45	45			
10/1	35	35	35	35	35	45	45				
15/1	35	35	35	35	35	45	45				
20/1	35	35	35	35	45	45					
30/1	35	35	35	45	45						
40/1	35	35	45	45	45						
50/1	35	45	45	45							
60/1	35	45	45								

Consult factory for high efficiency right angle drives suited for these power ratings.

SSHERA® Power Ratings (@ 1.0 SERVICE FACTOR)

NOM. RATIO	INPUT RPM	EFF. (%)	SSHERA35			SSHERA45		
			EXACT RATIO	INPUT HP	OUTPUT TORQUE (IN. LBS.)	EXACT RATIO	INPUT HP	OUTPUT TORQUE (IN. LBS.)
7/1	2500	90	8.02	2.00	364	7.80	8.50	1504
10/1	2500	90	11.42	2.00	518	11.36	7.50	1933
15/1	2500	90	15.60	2.00	708	15.60	7.00	2478
20/1	2500	90	19.93	2.00	905	19.50	5.88	2600
30/1	2500	90	29.10	1.67	1100	28.01	4.09	2600
40/1	2500	90	43.53	1.11	1100	39.98	2.87	2600
50/1	2500	90	52.50	0.92	1100	52.50	2.18	2600
60/1	2500	90	58.33	0.83	1100	59.79	1.92	2600
7/1	1750	90	8.02	4.23	1100	7.80	8.50	2149
10/1	1750	90	11.42	2.97	1100	11.36	7.06	2600
15/1	1750	90	15.60	2.18	1100	15.60	5.14	2600
20/1	1750	90	19.93	1.70	1100	19.50	4.11	2600
30/1	1750	90	29.10	1.17	1100	28.01	2.86	2600
40/1	1750	90	43.53	0.78	1100	39.98	2.01	2600
50/1	1750	90	52.50	0.65	1100	52.50	1.53	2600
60/1	1750	90	58.33	0.58	1100	59.79	1.34	2600
7/1	1150	90	8.02	2.78	1100	7.80	6.76	2600
10/1	1150	90	11.42	1.95	1100	11.36	4.64	2600
15/1	1150	90	15.60	1.43	1100	15.60	3.38	2600
20/1	1150	90	19.93	1.12	1100	19.50	2.70	2600
30/1	1150	90	29.10	0.77	1100	28.01	1.88	2600
40/1	1150	90	43.53	0.51	1100	39.98	1.32	2600
50/1	1150	90	52.50	0.42	1100	52.50	1.00	2600
60/1	1150	90	58.33	0.38	1100	59.79	0.88	2600
7/1	850	90	8.02	2.06	1100	7.80	5.00	2600
10/1	850	90	11.42	1.44	1100	11.36	3.43	2600
15/1	850	90	15.60	1.06	1100	15.60	2.50	2600
20/1	850	90	19.93	0.83	1100	19.50	2.00	2600
30/1	850	90	29.10	0.57	1100	28.01	1.39	2600
40/1	850	90	43.53	0.38	1100	39.98	0.97	2600
50/1	850	90	52.50	0.31	1100	52.50	0.74	2600
60/1	850	90	58.33	0.28	1100	59.79	0.65	2600
7/1	100	90	8.02	0.24	1100	7.80	0.59	2600
10/1	100	90	11.42	0.17	1100	11.36	0.40	2600
15/1	100	90	15.60	0.12	1100	15.60	0.29	2600
20/1	100	90	19.93	0.10	1100	19.50	0.24	2600
30/1	100	90	29.10	0.07	1100	28.01	0.16	2600
40/1	100	90	43.53	0.04	1100	39.98	0.11	2600
50/1	100	90	52.50	0.04	1100	52.50	0.09	2600
60/1	100	90	58.33	0.03	1100	59.79	0.08	2600



CleanLine™



Additional ratios from 70/1 to 420/1 are available by adding a Stainless Steel Helical Ratio Multiplier to SSHERA. See page O-19.
All ratios will backdrive due to High Efficiency Gearing.

EMAIL: hubsales@regalbeloit.com • www.hubcityinc.com



Hub City CleanLine™ Gear Drives

Stainless Steel HERA® Selection Process

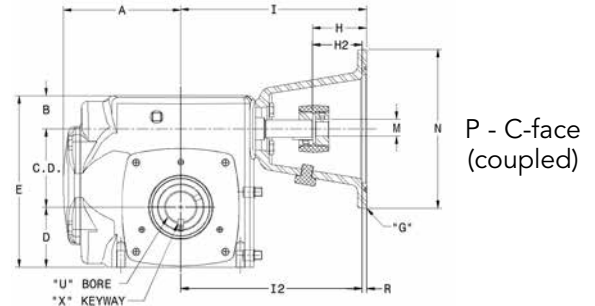
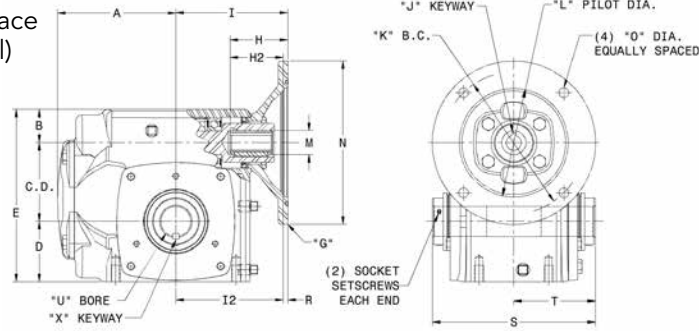
Step 2

Select Input Type

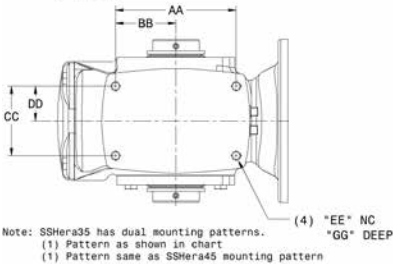
- E - C-face (quill), Select available frame size (G)
- P - C-face (coupled), Select available frame size (G)
- A - Shaft input, Select shaft diameter desired (G)

SSHERA® Model Dimensions

E - C-face (quill)



P - C-face (coupled)



A - Shaft Input

MODIFIED UNITS ARE AVAILABLE, Consult factory:
These units can be furnished with a solid output shaft on special orders. Stock Plug-In Shaft Kits also available.
Shaft mounted units require torque arms. Torque arm bracket kits are available.

Note: SSSHERA35 has dual mounting patterns.
(1) Pattern as shown in chart
(1) Pattern same as SSSHERA45 mounting pattern

Step 3

Select Output Arrangement

- S - Hollow Bore (choose bore size)
 - Shaft Output - choose shaft kit from accessory page
- Note: must order appropriate bore size in unit required for shaft kit
- K - HubLoc® Keyless Bushing (See page i & ii)

FOR LUBRICATION AND INSTALLATION INSTRUCTIONS REFER TO SECTION S.

DIMENSIONS SHOWN ARE FOR REFERENCE ONLY.

DOWNLOAD AVAILABLE CAD MODELS AT: WWW.HUBCITYINC.COM

Model Dimensions

MODEL	C.D.	A	B	D	E	AA	BB	CC	DD	EE	GG	S	T
SSHERA35	2.509	4.26	1.35	2.062	5.93	4.188	2.094	2.750	1.375	5/16 UNC	0.63	6.00	3.00
SSHERA45	3.263	4.90	1.38	2.500	7.14	5.000	2.500	2.875	1.438	3/8 UNC	0.69	6.75	3.38

Shaft Input Dimensions

MODEL	SIZE REF.	F	G	H	I	J	K	WT. LBS.
SSHERA35AS	18	1.56	.6245/.6235	1.94	4.88	3/16 X 3/32	3/16 SQ X 1-1/4	29
	21	1.81		2.19	5.13		3/16 SQ X 1-1/2	
	24	2.00	.7495/.7485	2.38	5.32			
SSHERA45AS	24	2.00	.7495/.7485	2.38	5.50	3/16 X 3/32	3/16 SQ X 1-1/2	43
	26	2.81		3.19	6.31			
	30	3.44	3.76	6.88				
	32	4.00	4.32	7.44				

Stock Bores

Model	U	X
SSHERA35	3/4	3/16 X 3/32
	7/8	3/16 X 3/32
	1	1/4 X 1/8
	1-1/8	1/4 X 1/8
	1-3/16	1/4 X 1/8
SSHERA45	1-1/4	1/4 X 1/8
	1-7/16	3/8 X 1/8
	1	1/4 X 1/8
	1-1/8	1/4 X 1/8
	1-3/16	1/4 X 1/8
1-1/4	1/4 X 1/8	
1-7/16	3/8 X 1/8	
1-1/2	3/8 X 1/8	

C-Face Input Dimensions

C-FLANGE MODELS		ES MODELS				PS MODELS				BOTH ES & PS MODELS							
MODEL	G	H	H2	I	I2	H	H2	I	I2	J	K	L	M	N	O	R	WT. LBS.
SSHERA35	56C	2.38	N/A	4.44	N/A	2.25	N/A	7.57	N/A	3/16 X 3/32	5.875	4.501/4.503	0.625	6.62	13/32	0.188	33
	143TC	2.38											0.875				
SSHERA45	56C	2.38	N/A	4.63	N/A	2.26	N/A	7.76	N/A	3/16 X 3/32	5.875	4.501/4.503	0.625	6.62	13/32	0.188	47
	143TC	2.38											0.875				
	182TC	N/A	2.89	N/A	5.06	N/A	3.25	N/A	8.76	1/4 X 1/8	7.250	8.501/8.503	1.125	9.01	17/32	0.188	50



Select hollow output bore models in this product line are now available with the HubLoc® Keyless Bushing System. Refer to pages i and ii at front of this catalog for features, available sizes, and ordering information.

Hub City CleanLine™ Gear Drives

Stainless Steel HERA® Selection Process

Step 4

Select Accessories

- B - Interchange base (required if interchanging to larger size worm gear reducer) provides appropriate "D" dimension and tapped mounting hole dimensions & pattern
- T - Base (includes B-base above) provides means to bolt unit from above mounting surface and matches competitor worm mounting base bolt patterns
- F - Flanges, provide means for side mounting
- Other available accessories: Vertical base kits, torque arm kits, C-flange adapter kits

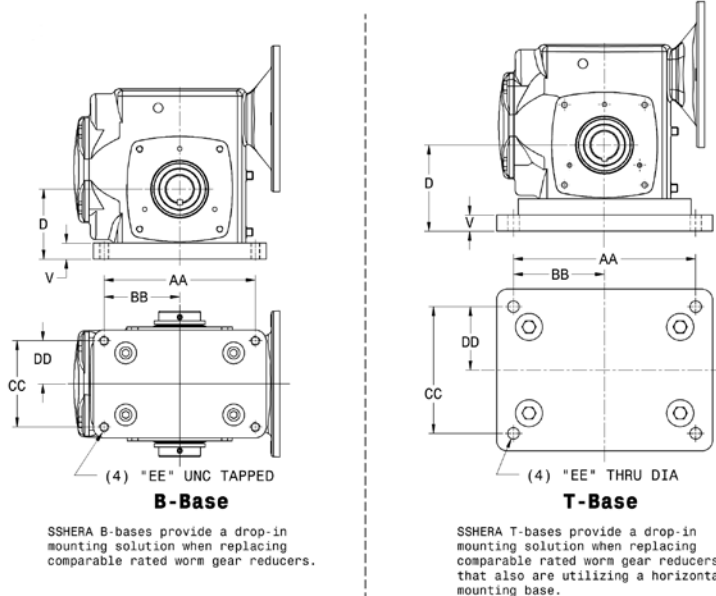
SSHERA® Accessories

Plug-In Shaft Kits

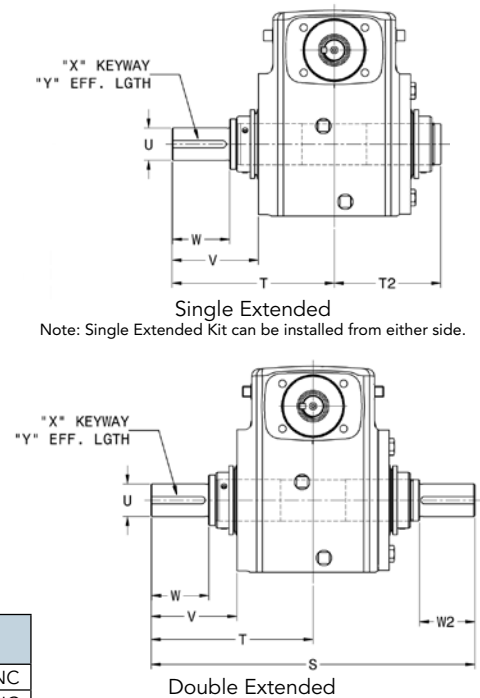
SERIES	SIZE REF.	DOUBLE EXT KIT NO.	SINGLE EXT KIT NO.	S	T	T2	U	V	W	W2	X	Y	KEY(S) FURNISHED	WT. LBS.
SSHERA35	18	0259-00235	0259-00236	8.62	4.31	3.22	0.875	1.93	1.13	1.09	3/16 x 3/32	0.88	3/16 SQ X7/8	4.1
	21	0259-00237	0259-00238	9.38	4.69	3.22	1.000	2.31	1.51	1.47	1/4 X 1/8	1.25	1/4 SQ X 1-1/4	4.2
	24	0259-00239	0259-00240	10.28	5.14	3.22	1.125	2.76	1.96	1.92	1/4 X 1/8	1.75	1/4 SQ X 1-1/2	4.4
SSHERA45	24	0259-00241	0259-00242	10.28	5.14	3.70	1.125	2.50	1.52	1.44	1/4 X 1/8	1.31	1/4 SQ X 1-1/4	4.7
	26	0259-00243	0259-00244	11.25	5.63	3.70	1.125	2.99	2.00	1.93	1/4 X 1/8	1.75	1/4 SQ X 1-1/2	4.8
	30	0259-00245	0259-00246	13.50	6.75	3.70	1.250	4.11	3.13	3.05	1/4 X 1/8	2.25	1/4 SQ X 2-1/4	5.4
	32	0259-00247	0259-00248	14.12	7.06	3.70	1.375	4.42	3.44	3.39	5/16 X 5/32	2.50	5/16 SQ X 2-3/8	5.8



Base Kits



Plug-In Shaft Kits



B - Base Kits

SERIES	B-BASE KIT NO.	SHIPPING WT. LBS.	SIZE REF.	D	V	AA	BB	CC	DD	EE
SSHERA35	0259-00213	1.7	21	2.281	0.22	5.00	2.50	2.88	1.44	3/8 UNC
	0259-00214	3.1	24	2.500	0.44	5.00	2.50	2.88	1.44	3/8 UNC
	0259-00215	4.0	26	2.938	0.44	6.38	3.19	3.38	1.69	3/8 UNC
SSHERA45	0259-00216	9.0	30	3.250	0.75	7.00	3.50	4.00	2.00	7/16 UNC
	0259-00217	12.0	32	3.500	1.00	7.50	3.75	4.00	2.00	7/16 UNC

T - Base Kits

SERIES	T-BASE KIT NO.	SHIPPING WT. LBS.	SIZE REF.	D	V	AA	BB	CC	DD	EE
SSHERA35	0259-00218	8.5	18	2.750	0.69	5.75	2.88	4.5	2.25	0.41
	0259-00219	11.8	21	3.000	0.72	6.38	3.19	4.69	2.34	0.47
	0259-00220	14.9	24	3.250	0.75	7.06	3.53	4.88	2.44	0.47
SSHERA45	0229-00221	12.0	24	3.250	0.75	7.06	3.53	4.88	2.44	0.47
	0259-00222	17.6	26	3.688	0.75	8.00	4.00	5.25	2.63	0.53
	0259-00223	25.1	30	4.000	0.75	8.44	4.22	5.88	2.94	0.53
	0259-00224	35.5	32	4.375	0.88	9.50	4.75	6.13	3.06	0.53



Dimensions shown are for reference only.

DOWNLOAD AVAILABLE CAD MODELS AT: WWW.HUBCITYINC.COM

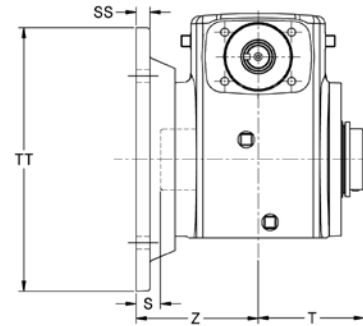
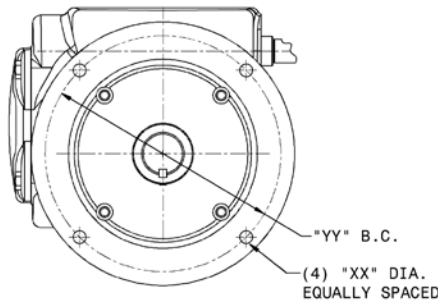
EMAIL: hubsales@regalbeloit.com • www.hubcityinc.com



Hub City CleanLine™ Gear Drives

Stainless Steel HERA® Selection Process

SSHERA® Accessories (cont'd)



Note: Flange Kit can be installed on either side.

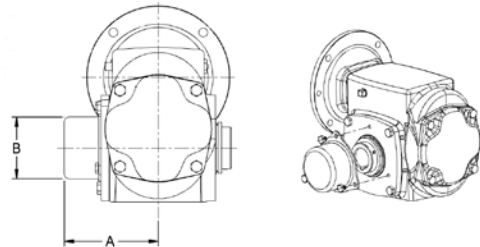
F - Flange Kits

SERIES	F-FLANGE KIT NO.	SHIPPING WT. LBS.	SIZE REF.	S	T	Z	SS	TT	XX	YY
SSHERA35	0259-00225	5.5	18	0.19	3.00	3.19	0.38	6.50	0.34	5.875
	0259-00226	6.5	21	0.56	3.00	3.56	0.44	7.88	0.41	7.000
	0259-00227	7.3	24	0.50	3.00	3.50	0.44	8.38	0.41	7.500
SSHERA45	0259-00228	7.3	24	0.50	3.38	3.88	0.44	8.38	0.41	7.500
	0259-00229	8.6	26	0.06	3.38	3.44	0.50	8.88	0.41	8.000
	0259-00230	8.4	30	-0.10	3.38	3.28	0.50	9.88	0.41	9.000



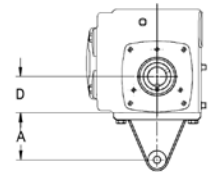
Protective Cover Kits

SERIES	PROTECTIVE COVER KIT NO.	A	B	SHIPPING WT. LBS.
SSHERA35	0259-00250	3.98	2.33	1.0
SSHERA45	0259-00251	4.34	2.85	1.1



Torque Arm Bracket Kits

SERIES	TORQUE ARM KIT NO.	A	D	SHIPPING WT. LBS.
SSHERA35	0279-00820	3.25	2.062	4.0
SSHERA45			2.500	



Bronze Output Bushing Kits

Bronze Output Bushing Kits provide a means to adapt the Stock Bore hollow bore diameter to the most popular shaft diameters on driven equipment. Quick and easy installation. Bushing Kits fit both Models SSHERA35 and SSHERA45.

Note: 1.438" stock bore required.

Bushing Kits include one drive bushing (keyed), one support bushing (non-keyed), keys and set screws for mounting.



Bronze Output Bushing Kits

SERIES	BUSHING KIT NUMBER	BORE SIZE	BUSHING LENGTH	DRIVEN SHAFT KEYWAY
SSHERA35 & SSHERA45	0259-00256	1.000	(2) @ 2.00" ea.	3/16 x 3/32
SSHERA35 & SSHERA45	0259-00257	1.250	(2) @ 2.00" ea.	1/4 x 1/8



Select hollow output bore models in this product line are now available with the HubLoc® Keyless Bushing System. Refer to pages i and ii at front of this catalog for features, available sizes, and ordering information.

Dimensions shown are for reference only.

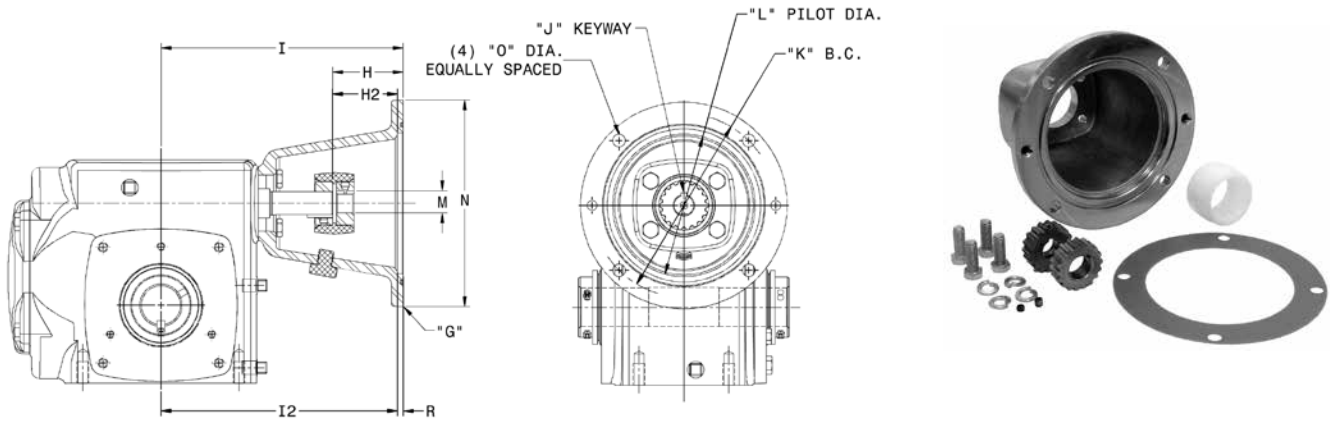
DOWNLOAD AVAILABLE CAD MODELS AT: WWW.HUBCITYINC.COM

Hub City CleanLine™ Gear Drives

Stainless Steel HERA® Selection Process

SSHERA® Accessories (cont'd)

NEMA "C" Flange Adaptor Kits



C-Flange Kits

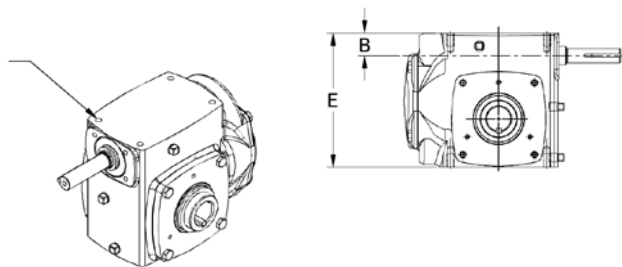
SERIES	BASE UNIT REQUIRED	C-FLANGE KIT NO.	SHIPPING WT. LBS.	G	H	H2	I	I2	J	K	L	M	N	O	R
SSHERA35	AS24	0259-00232	10	56C	2.25	N/A	7.57	N/A	3/16 x 3/32	5.875	4.501/4.503	0.625	6.62	13/32	0.188
		0259-00233	10	143TC								0.875			
SSHERA45	AS24	0259-00232	10	56C	2.25	N/A	7.76	N/A	3/16 X 3/32	5.875	4.501/4.503	0.625	6.62	13/32	0.188
		0259-00233	10	143TC								0.875			
		0259-00234	21	182TC	N/A	3.25	N/A	8.76	1/4 X 1/8	7.250	8.501/8.503	1.125	9.01	17/32	0.188

Optional Machined Top

(To order, specify model **SSMHERA35** or **SSMHERA45**)

Mounting holes on the machined top are the same size and are located on the same pattern as the mounting holes on the bottom.

MODEL	B	E
SSMHERA35	1.178	5.750
SSMHERA45	1.175	6.938



PowerWash SXT by Marathon Motors

Features

- All stainless steel, totally enclosed
- 300 Series stainless steel external construction: frame, endshields, conduit box, mounting base and hardware for superior corrosion resistance
- 100% paint-free construction
- Nameplate information laser etched on frame
- UL Recognized, CSA Certified and CE Mark

Refer to Section E for more information



Three Phase 1800 RPM C-Face Footless

HP	FRAME	CATALOG NO.	WEIGHT
1/3	56C	N430	30
1/2	56C	N431	33
3/4	56C	N432	38
1	56C	N433	47
	143TC	N434A	
1-1/2	56C	N435	48
	145TC	N436A	
2	56C	N437	52
	145TC	N438A	

Dimensions shown are for reference only.

DOWNLOAD AVAILABLE CAD MODELS AT: WWW.HUBCITYINC.COM

EMAIL: hubsales@regalbeloit.com • www.hubcityinc.com



Hub City CleanLine™ Gear Drives

Worm Reducer Interchange Competitor Interchange Guide



Example: HERA45 is the same size as a 2.38" worm, with the torque capacity and ability to interchange up to a 3.25" worm.

Worm Center Distance (inches)					
1.75	2.06	2.38	2.62	3.00	3.25

SSHERA35®

SSHERA45®

Output Torque >> 1,100 in-lbs 2,600 in-lbs

Two SSHERA models can replace six worm sizes.

Solid Output Shaft-NEMA C Flange Reducer (Quill Input)

CENTER DISTANCE (Inches)	1.75	2.06	2.38	2.62	3.00	3.25
SSHERA - ES w/plug-in shaft kit	SSHERA35ES	SSHERA35ES*	SSHERA35ES*			
BALDOR	F918	F921	F924	F926	F930	F932
BOSTON	F718	F721	F724	F726	F730	F732
Dodge-Tigear-2	17Q	20Q	23Q	26Q	30Q	—
Falk-Omnibox	1175WBM	1206WBM	1238WBM	1262WBM	1300WBM	1325WBM
Morse-Raider	175Q	206Q	237Q	262Q	300Q	325Q

Solid Output Shaft-NEMA C Flange Reducer (Coupled Input)

CENTER DISTANCE (Inches)	1.75	2.06	2.38	2.62	3.00	3.25
SSHERA - PS w/plug-in shaft kit	SSHERA35PS	SSHERA35PS*	SSHERA35PS*			
BALDOR	LF918	LF921	LF924	LF926	LF930	LF932
BOSTON	RF718	RF721	RF724	RF726	RF730	RF732
Dodge-Tigear-2	17A	20A	23A	26A	30A	—
Falk-Omnibox	1175WBF	1206WBF	1238WBF	1262WBF	1300WBF	1325WBF
Morse-Raider	175C	206C	237C	262C	300C	325C

Solid Output Shaft-Non-Flanged Reducer (Basic Unit)

CENTER DISTANCE (Inches)	1.75	2.06	2.38	2.62	3.00	3.25
SSHERA - AS w/plug-in shaft kit	SSHERA35AS	SSHERA35AS*	SSHERA35AS*			
BALDOR	S918	S921	S924	S926	S930	S932
BOSTON	718	721	724	726	730	732
Dodge-Tigear-2	17S	20S	23S	26S	30S	—
Falk-Omnibox	1175WB	1206WB	1238WB	1262WB	1300WB	1325WB
Morse-Raider	175U	206U	237U	262U	300U	325U

Hollow Output Shaft-NEMA C Flange Reducer (Quill Input)

CENTER DISTANCE (Inches)	1.75	2.06	2.38	2.62	3.00	3.25
SSHERA - ES	SSHERA35ES	SSHERA35ES*	SSHERA35ES*			
BALDOR	HF918	HF921	HF924	HF926	HF930	HF932
BOSTON	HF718	HF721	HF724	HF726	HF730	HF732
Dodge-Tigear-2	17QH	20QH	23QH	26QH	30QH	—
Falk-Omnibox	1175WBQM	1206WBQM	—	1262WBQM	1300WBQM	1325WBQM
Morse-Raider	175QH	206QH	237QH	262QH	300QH	325QH

Hollow Output Shaft-NEMA C Flange Reducer (Coupled Input)

CENTER DISTANCE (Inches)	1.75	2.06	2.38	2.62	3.00	3.25
SSHERA - PS	SSHERA35PS	SSHERA35PS*	SSHERA35PS*			
BALDOR	HLF918	HLF921	HLF924	HLF926	HLF930	HLF932
BOSTON	HRF718	HRF721	HRF724	HRF726	HRF730	HRF732
Dodge-Tigear-2	17AH	20AH	23AH	26AH	30AH	—
Falk-Omnibox	1175WBQF	1206WBQF	—	1262WBQF	1300WBQF	1325WBQF
Morse-Raider	175CH	206CH	237CH	262CH	300CH	325CH

Hollow Output Shaft - Non-Flanged Reducer (Basic Unit)

CENTER DISTANCE (Inches)	1.75	2.06	2.38	2.62	3.00	3.25
SSHERA - AS	SSHERA35AS	SSHERA35AS*	SSHERA35AS*			
BALDOR	HS918	HS921	HS924	HS926	HS930	HS932
Boston	H718	H721	H724	H726	H730	H732
Dodge-Tigear-2	17SH	20SH	23SH	26SH	30SH	—
Falk-Omnibox	1175WBQ	1206WBQ	1238WBQ	1262WBQ	1300WBQ	1325WBQ
Morse-Raider	175UH	206UH	237UH	262UH	300UH	325UH

Information for reference only, consult factory for information on your specific application.

*B-Interchange Base Kit required for foot mounting (see accessory page O-23)

Hub City CleanLine™ Gear Drives

CleanLine UltraPlus™ Helical Inline Gear Drives Models SSHI4042 & SSHI4062

Features:

- Ratios from 2.57/1 to 51.25/1
- Power Ratings to 18HP
- Two Models: SSHI4042 and SSHI4062
- Smooth Cast Surface Finish
- Factory Filled with USDA H1 Lubricant for Application Service Life of the Drive
- 316 Stainless Steel Housings & Shafts
- HACCP Compatible
- BISSC Certified
- Packaged with Marathon PowerWash SXT All-Stainless Motors (refer to Section E)
- Optional Seize Proof Quill Liners Available
- 95% Efficiency Ratings



Rating Table

SSHI4042

RATIO	OUTPUT SPEED	INPUT H.P.	OUTPUT TORQUE	OUTPUT OHL	INPUT OHL	OUTPUT THRUST
2.63	665	11.2	1020	530	140	610
2.95	593	10.4	1060	550	140	630
3.31	529	9.61	1100	570	140	650
3.72	470	9.10	1170	580	140	660
4.21	416	8.79	1280	590	140	650
4.78	366	7.75	1280	620	140	690
5.47	320	6.77	1280	650	140	730
5.87	298	6.31	1280	680	140	780
6.13	285	6.79	1440	710	140	840
6.86	255	6.16	1460	740	140	880
7.70	227	5.56	1480	770	140	920
8.67	202	5.17	1550	790	140	950
9.80	179	4.75	1610	820	140	980
11.14	157	4.41	1700	850	140	1010
12.74	137	3.95	1740	890	140	1060
13.67	128	3.77	1780	920	140	1100
16.66	105	3.13	1800	980	140	1250
20.77	84	2.52	1810	1050	140	1250
25.04	70	2.10	1820	1150	140	1250
28.79	61	1.84	1830	1150	140	1250
36.56	48	1.46	1840	1150	140	1250
44.10	40	1.21	1850	1150	140	1250
50.47	35	1.01	1770	1150	140	1250

SSHI4062

2.57	681	18.6	1650	960	200	890
3.08	568	16.5	1760	1010	200	930
3.90	449	13.9	1880	1090	200	1000
4.52	387	12.6	1970	1140	200	1050
5.98	293	15.8	3260	1080	200	870
7.16	244	13.5	3340	1180	200	990
9.06	193	11.0	3450	1290	200	1110
10.52	166	10.1	3680	1340	200	1140
13.75	127	8.22	3910	1470	200	1260
16.43	107	7.04	4000	1560	200	1370
17.50	100	6.63	4010	1600	200	1400
20.00	88	5.83	4030	1600	200	1400
21.47	82	5.44	4040	1600	200	1400
25.00	70	4.69	4050	1600	200	1400
27.14	64	4.33	4060	1600	200	1400
29.62	59	3.97	4070	1600	200	1400
32.50	54	3.64	4090	1600	200	1400
35.91	48.7	3.30	4100	1600	200	1400
45.00	38.9	2.64	4110	1600	200	1400
51.25	34.1	2.33	4120	1600	200	1400

ALL TORQUE VALUES LISTED IN INCH-POUNDS, ALL OVERHUNG LOAD AND THRUST LOAD VALUES LISTED IN POUNDS. THE POINT OF APPLICATION OF OHL IS CONSIDERED TO BE APPLIED AT THE MIDPOINT OF SHAFT EXTENSION. INPUT OHL APPLIES ONLY TO SHAFT INPUT MODELS.

OHL AND THRUST RATINGS CANNOT BE APPLIED SIMULTANEOUSLY. CONSULT THE FACTORY FOR APPLICATIONS WITH COMBINED OHL AND THRUST LOAD. AT SPEEDS ABOVE 1750 RPM, UNITS MAY BECOME THERMALLY LIMITED. FOR EXTENDED OPERATION, LIMIT HP TO 1750 RPM RATING.

Hub City CleanLine™ Gear Drives

CleanLine UltraPlus™

Helical Inline Gear Drives Models SSHI4042 & SSHI4062

Models SSHI4042E & SSHI4062E

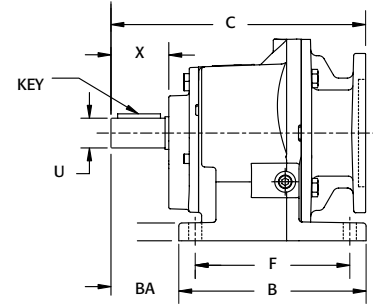
Gearcase

MODEL	A	AD	B	BA	D	E	F	H	OA
SSHI4042E	5.72	6.61	6.30	2.95	3.54 ⁺⁰ _{-.02}	4.33	5.12	0.39	6.68
SSHI4062E	7.48	7.93	7.87	3.94	4.53 ⁺⁰ _{-.02}	5.32	6.50	0.53	8.48

Output Shaft

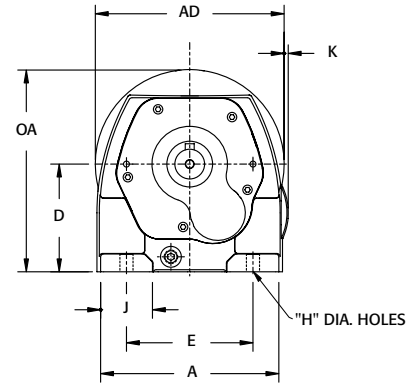
MODEL	U	X	KEY
SSHI4042E	1.000 ⁺⁰ _{-.001}	2.12	1/4 x 1/4 x 1-1/2
SSHI4062E	1.375 ⁺⁰ _{-.001}	2.83	5/16 x 5/16 x 1-3/4

SSHI4062E also available with 1.250" Output Shaft (see page I-82)



Motor Compatibility – NEMA

MODEL	C			
	56C	143TC 145TC	182TC 184TC	213TC 215TC
SSHI4042E	9.90	9.90	11.21	-
SSHI4062E	11.10	11.10	12.12	12.12



Models SSHI4042A & SSHI4062A

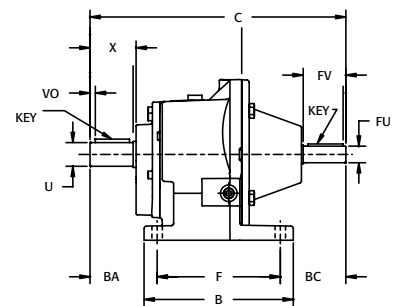
Gearcase

MODEL	A	AD	B	BA	D	E	F	H	OA
SSHI4042A	5.72	6.61	6.30	2.95	3.54 ⁺⁰ _{-.02}	4.33	5.12	0.39	6.68
SSHI4062A	7.48	7.93	7.87	3.94	4.53 ⁺⁰ _{-.02}	5.32	6.50	0.53	8.48

Output Shaft

MODEL	U	X	KEY
SSHI4042A	1.000 ⁺⁰ _{-.001}	2.12	1/4 x 1/4 x 1-1/2
SSHI4062A	1.375 ⁺⁰ _{-.001}	2.83	5/16 x 5/16 x 1-3/4

SSHI4062A also available with 1.250" Output Shaft (see page I-82)



Input Shaft

MODEL	FU	FV	KEY
SSHI4042A	0.750 ⁺⁰ _{-.001}	1.57	3/16 x 3/16 x 1-1/16
SSHI4062A	0.875 ⁺⁰ _{-.001}	2.25	3/16 x 3/16 x 2

Gearcase/Input

MODEL	BC	C
SSHI4042A	3.56	11.63
SSHI4062A	3.45	13.89

See page I-83 for additional input shaft diameters available.

FOR LUBRICATION AND INSTALLATION INSTRUCTIONS REFER TO SECTION S.

DIMENSIONS SHOWN ARE FOR REFERENCE ONLY.

DOWNLOAD AVAILABLE CAD MODELS AT: WWW.HUBCITYINC.COM

Hub City CleanLine™ Gear Drives

CleanLine UltraPlus™

Helical Inline Gear Drives Models SSHI4042 & SSHI4062

Models SSHI4042G & SSHI4062G

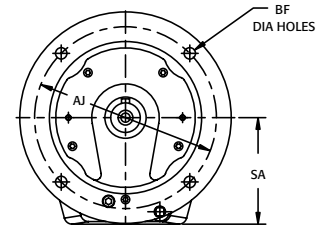
Gearcase

MODEL	OA	SA
SSHI4042G	7.22	4.04
SSHI4062G	8.92	4.96

Output Shaft

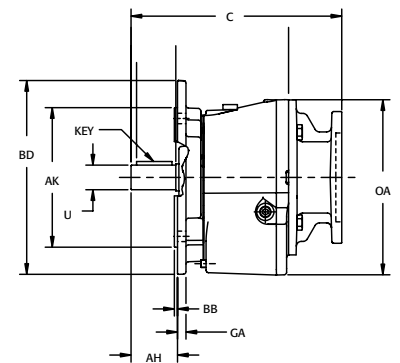
MODEL	AH	AJ	AK	BB	BD	BF	U	KEY
SSHI4042G	1.97	6.50	5.118 ⁺⁰ _{-.002}	0.14	7.90	0.47	1.000 ⁺⁰ _{-.001}	1/4 x 1/4 x 1-1/2
SSHI4062G	2.76	8.46	7.087 ^{-.0004} _{-.0029}	0.16	9.84	0.53	1.375 ⁺⁰ _{-.001}	5/16 x 5/16 x 1-3/4

SSHI4062G also available with 1.250" Output Shaft (see page I-82)



Motor Compatibility – NEMA

MODEL	C			
	56C	143TC 145TC	182TC 184TC	213TC 215TC
SSHI4042G	9.90	9.90	11.21	-
SSHI4062G	11.10	11.10	12.12	12.12



Models SSHI4042C & SSHI4062C

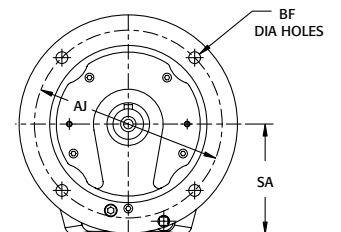
Gearcase

MODEL	OA	SA
SSHI4042C	7.22	4.04
SSHI4062C	8.92	4.96

Output Shaft

MODEL	AH	AJ	AK	BB	BD	BF	U	KEY
SSHI4042C	1.97	6.50	5.118 ⁺⁰ _{-.002}	0.14	7.90	0.47	1.000 ⁺⁰ _{-.001}	1/4 x 1/4 x 1-1/2
SSHI4062C	2.76	8.46	7.087 ^{-.0004} _{-.0029}	0.16	9.84	0.53	1.375 ⁺⁰ _{-.001}	5/16 x 5/16 x 1-3/4

SSHI4062C also available with 1.250" Output Shaft (see page I-82)



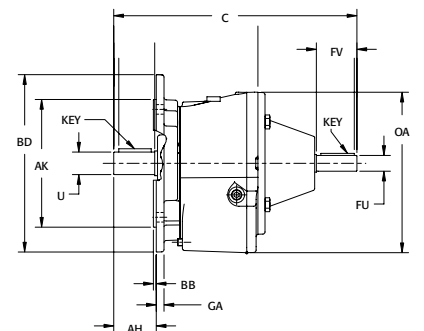
Input Shaft

MODEL	FU	FV	KEY
SSHI4042C	0.750 ⁺⁰ _{-.001}	1.57	3/16 x 3/16 x 1-1/16
SSHI4062C	0.875 ⁺⁰ _{-.001}	2.25	3/16 x 3/16 x 2

See page I-83 for additional input shaft diameters available.

Gearcase/Input

MODEL	C
SSHI4042C	11.63
SSHI4062C	13.89



FOR LUBRICATION AND INSTALLATION INSTRUCTIONS REFER TO SECTION S.

DIMENSIONS SHOWN ARE FOR REFERENCE ONLY.

DOWNLOAD AVAILABLE CAD MODELS AT: WWW.HUBCITYINC.COM

Hub City CleanLine™ Gear Drives

CleanLine UltraPlus™

Helical Bevel Gear Drives Models SSHB2043

Features:

- Smooth cast surface finish
- Factory filled with USDA H1 lubricant
- HACCP compatible and BISSC Certified
- Packaged with Marathon PowerWash SXT All-Stainless Motors (refer to Section E)
- Output bores available with choice of standard keyed straight bore or with HubLoc® Keyless Locking System



Specifications:

- Three Series: SSHB2040, SSHB2060, SSBH2070
- Power ratings to 20 HP; Ratios to 138/1
- 316 Stainless Steel housings
- 303 Stainless Steel output shafts and sleeves
- Choice of (3) input styles on all series:
 - C-Face Quill
 - C-Face Coupled
 - Solid Shaft Input

Motor Flange Size Availability

SERIES	C-FACE QUILL		C-FACE COUPLED			
	56C	143TC	56C	143TC	182TC	213TC
SSHB2040	✓	✓	✓	✓	✓	n/a
SSHB2060	✓	✓	✓	✓	✓	n/a
SSHB2070	✓	✓	✓	✓	✓	✓



Select hollow output bore models in this product line are now available with the HubLoc® Keyless Bushing System. Refer to pages i and ii at front of this catalog for features, available sizes, and ordering information.

Rating Table

SSHB2043

RATIO	OUTPUT SPEED	INPUT H.P.	OUTPUT TORQUE	OUTPUT OHL	INPUT OHL	OUTPUT THRUST
6.53	268	10	2210	650	140	1730
7.31	239	9.0	2230	675	140	1730
9.24	189	7.5	2350	700	140	1730
12.07	145	7.6	3100	800	140	1950
13.51	130	6.9	3150	770	140	1950
17.08	102	5.8	3350	830	140	1950
21.94	80	4.8	3540	930	140	1950
25.10	70	4.2	3540	1050	140	1950
30.37	58	3.4	3540	1150	140	1950
38.38	46	2.7	3540	1250	140	1950
49.31	35	2.1	3540	1250	140	1950
56.41	31	1.9	3540	1250	140	1950
73.76	24	1.4	3540	1250	140	1950
91.94	19	1.1	3540	1250	140	1950
110.88	16	0.9	3540	1250	140	1950
127.45	14	0.8	3540	1250	140	1950

ALL TORQUE VALUES LISTED IN INCH-POUNDS, ALL OVERHUNG LOAD AND THRUST LOAD VALUES LISTED IN POUNDS.

THE POINT OF APPLICATION OF OHL IS CONSIDERED TO BE APPLIED AT THE MIDPOINT OF SHAFT EXTENSION. INPUT OHL APPLIES ONLY TO SHAFT INPUT MODELS.

OHL AND THRUST RATINGS CANNOT BE APPLIED SIMULTANEOUSLY. CONSULT THE FACTORY FOR APPLICATIONS WITH COMBINED OHL AND THRUST LOAD. AT SPEEDS ABOVE 1750 RPM, UNITS MAY BECOME THERMALLY LIMITED. FOR EXTENDED OPERATION, LIMIT HP TO 1750 RPM RATING.

Hub City CleanLine™ Gear Drives

CleanLine UltraPlus™

Helical Bevel Gear Drives Models SSHB2063 & SSHB2073

Rating Table

SSHB2063

RATIO	OUTPUT SPEED	INPUT H.P.	OUTPUT TORQUE	OUTPUT OHL	INPUT OHL	OUTPUT THRUST
6.22	281	12	2530	2050	200	2850
7.46	235	11	2880	2050	200	2850
9.44	185	10	3250	2050	200	2850
11.25	156	11	4060	2050	200	2850
13.48	130	12	5320	2050	200	2850
17.06	103	9.9	5720	2050	200	2850
19.80	88	9.2	6200	2050	200	2850
25.89	68	7.4	6500	2050	200	2850
30.51	57	6.8	7000	2050	200	2850
38.61	45	5.5	7150	2050	200	2850
44.81	39	4.8	7250	2050	200	2850
58.58	30	3.7	7260	2050	200	2850
69.99	25	3.1	7260	2050	200	2850
74.56	23	2.9	7260	2050	200	2850
85.21	21	2.5	7260	2050	200	2850
91.47	19	2.3	7260	2050	200	2850
106.51	16	2.0	7260	2050	200	2850
115.64	15	1.9	7260	2050	200	2850
126.17	14	1.7	7260	2050	200	2850
138.46	13	1.5	7260	2050	200	2850

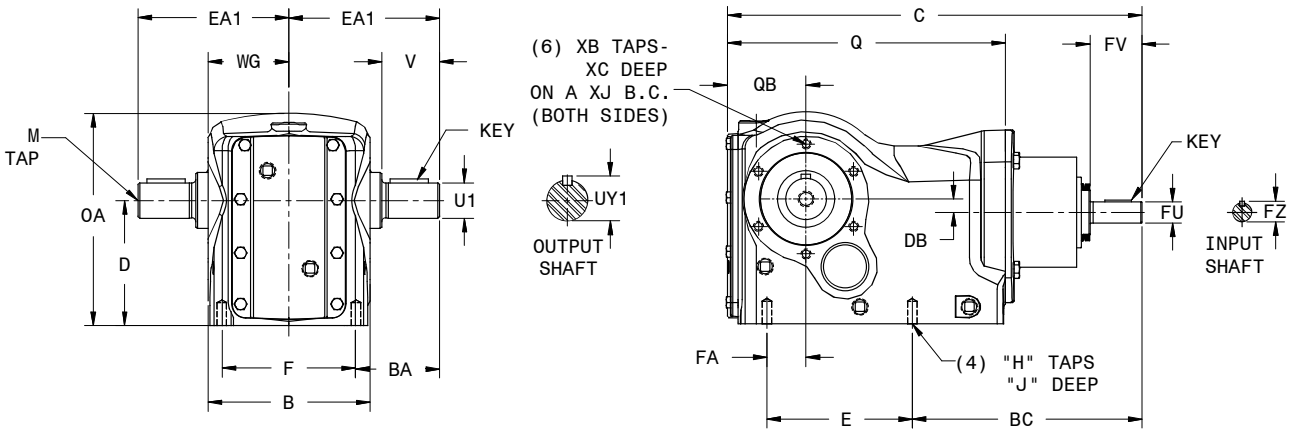
SSHB2073

6.51	269	20	4350	2750	385	3370
7.27	241	19	4600	2830	385	3370
8.13	215	17	4720	2950	385	3370
8.77	200	17	4970	2970	385	3370
9.86	177	16	5230	3070	385	3370
11.37	154	17.0	6700	3100	385	3370
12.70	138	16.0	7040	3200	385	3370
14.20	123	18.0	8670	3100	385	3370
15.32	114	17.0	9030	3200	385	3370
17.21	102	16.0	9480	3300	385	3370
18.65	94	15.0	9620	3300	385	3370
21.11	83	14.0	9930	3300	385	3370
24.06	73	14.0	11220	3300	385	3370
31.90	55	11.0	12000	3300	385	3370
34.42	51	10.0	12100	3300	385	3370
38.68	45	9.3	12200	3300	385	3370
41.90	42	9.7	13700	3300	385	3370
47.45	37	8.5	13700	3300	385	3370
54.07	32	7.5	13700	3300	385	3370
75.95	23	5.3	13700	3300	385	3370
89.80	19	4.5	13700	3300	385	3370
108.25	16	3.7	13700	3300	385	3370
134.10	13	3.0	13700	3300	385	3370

ALL TORQUE VALUES LISTED IN INCH-POUNDS, ALL OVERHUNG LOAD AND THRUST LOAD VALUES LISTED IN POUNDS. THE POINT OF APPLICATION OF OHL IS CONSIDERED TO BE APPLIED AT THE MIDPOINT OF SHAFT EXTENSION. INPUT OHL APPLIES ONLY TO SHAFT INPUT MODELS. OHL AND THRUST RATINGS CANNOT BE APPLIED SIMULTANEOUSLY. CONSULT THE FACTORY FOR APPLICATIONS WITH COMBINED OHL AND THRUST LOAD. AT SPEEDS ABOVE 1750 RPM, UNITS MAY BECOME THERMALLY LIMITED. FOR EXTENDED OPERATION, LIMIT HP TO 1750 RPM RATING.

Hub City CleanLine™ Gear Drives

Stainless Steel Helical Bevel



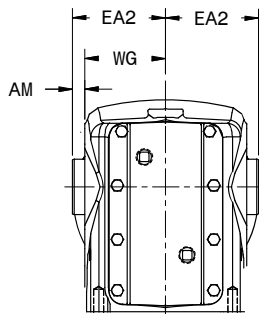
Dimensions are $\frac{\text{inch}}{\text{mm}}$

Gearcase

Model	OA	Q	QB	WG
SSH2043A*	7.48	9.84	2.81	2.85
	190	250	71	72.5
SSH2063A*	9.01	11.13	3.54	3.46
	229	283	90	87.9
SSH2073A*	11.33	13.31	4.52	3.98
	288	338	114	101

Input/ Gearcase

BC	C
8.09	14.23
205	361
10.30	17.4
261	441
10.73	19.58
272	497

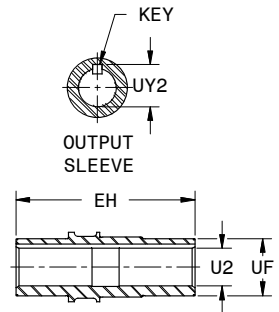


Gearcase

Model	XB	XC	XJ
SSH2043A*	-	0.63	3.875
	M8 X 1.25	16.0	98.43
SSH2063A*	-	0.66	4.750
	M10 X 1.5	16.8	120.65
SSH2073A*	-	0.95	5.375
	M12 X 1.75	24.1	136.52

Output Shaft

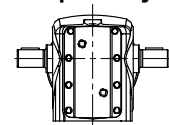
EA1	U1	UY1	V	KEY	M
5.31	1.250 $^{+0}_{-.001}$	1.36	2.04	$\frac{1}{4} \times \frac{1}{4} \times 1\frac{1}{2}$	$\frac{1}{2}-13 \times 1.13$
135	-	-	-	-	-
6.73	1.625 $^{+0}_{-.001}$	1.78	2.88	$\frac{3}{8} \times \frac{3}{8} \times 2\frac{1}{4}$	$\frac{5}{8}-11 \times 1.38$
171	-	-	-	-	-
8.11	2.000 $^{+0}_{-.001}$	2.21	3.59	$\frac{1}{2} \times \frac{1}{2} \times 2\frac{3}{4}$	$\frac{3}{4}-10 \times 1.61$
206	-	-	-	-	-



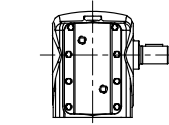
Gearcase

Model	B	BA	D	DB	E	F	FA	H	J
SSH2043A*	5.71	2.95	4.41 $^{+0}_{-.02}$	0.47	5.12	4.72	1.38	-	0.63
	145	75	112 $^{+0}_{-.5}$	12.0	130	120	35	M10 X 1.75	16
SSH2063A*	6.69	3.98	5.51 $^{+0}_{-.02}$	0.62	4.72	5.51	1.18	-	0.95
	170	101	140 $^{+0}_{-.5}$	15.8	120	140	30	M12 X 1.75	24
SSH2073A*	7.87	4.86	7.09 $^{+0}_{-.02}$	1.08	5.91	6.50	1.57	-	1.10
	200	123.5	180 $^{+0}_{-.5}$	27.3	150	165	40	M14 X 2.0	28

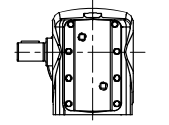
*Output Styles



D: Double Ext.



L: Left Ext.



R: Right Ext.

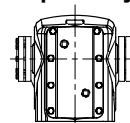
Output Sleeve

Model	AM	EA2	EH	U2	UF	UY2	KEY
SSH2043A*	0.49	3.34	6.68	1.375 $^{+0.0025}_{-0}$	1.97	1.52	(2) $\frac{3}{16} \times \frac{3}{16} \times 1\frac{1}{4}$
	12.4	84.8	169.7	-	-	-	-
SSH2063A*	0.38	3.84	7.68	1.500 $^{+0.0025}_{-0}$	2.25	1.67	(2) $\frac{3}{8} \times \frac{3}{8} \times 2\frac{1}{4}$
	9.7	97.5	195.1	-	-	-	-
SSH2073A*	0.54	4.52	9.04	2.000 $^{+0.0025}_{-0}$	2.75	2.23	(2) $\frac{1}{2} \times \frac{1}{2} \times 2\frac{3}{4}$
	13.7	114.8	229.6	-	-	-	-

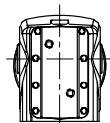
Input Shaft

Model	FU	FZ	FV	KEY	WT. (LBS)
SSH2043A*	0.750 $^{+0}_{-.0005}$	0.82	1.83	$\frac{3}{16} \times \frac{3}{16} \times 1\frac{1}{4}$	62
	-	-	-	-	-
SSH2063A*	0.750 $^{+0}_{-.0005}$	0.82	1.83	$\frac{3}{16} \times \frac{3}{16} \times 1\frac{1}{4}$	100
	-	-	-	-	-
SSH2073A*	0.875 $^{+0}_{-.0005}$	0.95	1.83	$\frac{3}{16} \times \frac{3}{16} \times 1\frac{1}{4}$	150
	-	-	-	-	-

*Output Styles



K: HubLoc® Keyless Output Bushing (see page i & ii)

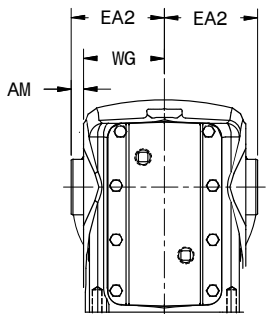
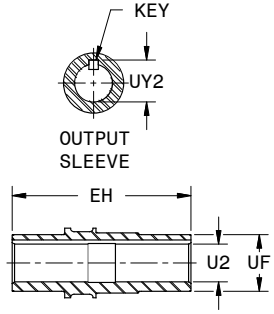
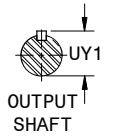
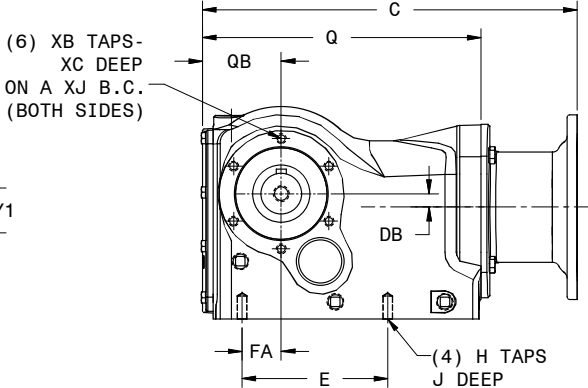
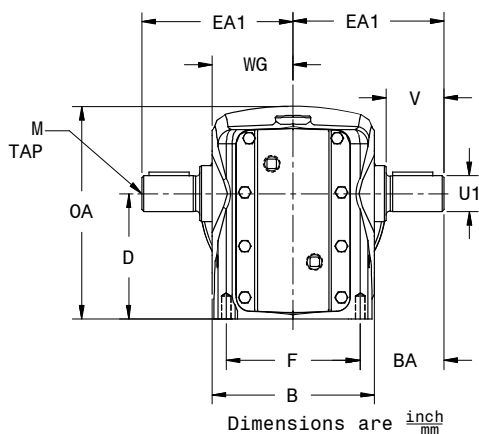


S: Hollow Bore (Keyed Sleeve)

DIMENSIONS SHOWN ARE FOR REFERENCE ONLY.
Download available CAD models at: www.hubcityinc.com
For Lubrication and Installation Instructions refer to Section S.

Hub City CleanLine™ Gear Drives

Stainless Steel Helical Bevel



Gearcase

Model	OA	Q	QB	WG
SSHB2043E*	7.48	9.84	2.81	2.85
-	190	250	71	72.5
SSHB2063E*	9.01	11.13	3.54	3.46
-	229	283	90	87.9
SSHB2073E*	11.33	13.31	4.52	3.98
-	288	338	114	101

Gearcase

Model	B	BA	D	DB	E	F	FA	H	J
SSHB2043E*	5.71	2.95	4.41 ⁺⁰ _{-.02}	0.47	5.12	4.72	1.38	-	0.63
-	145	75	112 ⁺⁰ _{-.5}	12.0	130	120	35	M10 X 1.75	16
SSHB2063E*	6.69	3.98	5.51 ⁺⁰ _{-.02}	0.62	4.72	5.51	1.18	-	0.95
-	170	101	140 ⁺⁰ _{-.5}	15.8	120	140	30	M12 X 1.75	24
SSHB2073E*	7.87	4.86	7.09 ⁺⁰ _{-.02}	1.08	5.91	6.50	1.57	-	1.10
-	200	123.5	180 ⁺⁰ _{-.5}	27.3	150	165	40	M14 X 2.0	28

Gearcase

Model	XB	XC	XJ
SSHB2043E*	-	0.63	3.875
-	M8 X 1.25	16.0	98.43
SSHB2063E*	-	0.66	4.750
-	M10 X 1.5	16.8	120.65
SSHB2073E*	-	0.95	5.375
-	M12 X 1.75	24.1	136.52

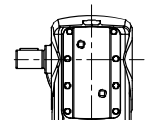
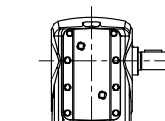
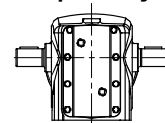
Output Shaft

Model	EA1	U1	UY1	V	KEY	M
SSHB2043E*	5.31	1.250 ⁺⁰ _{-.001}	1.36	2.04	1/4 x 1/4 x 1 1/2	1/2-13 x 1.13
-	135	-	-	-	-	-
SSHB2063E*	6.73	1.625 ⁺⁰ _{-.001}	1.78	2.88	3/8 x 3/8 x 2 1/4	5/8-11 x 1.38
-	171	-	-	-	-	-
SSHB2073E*	8.11	2.000 ⁺⁰ _{-.001}	2.21	3.59	1/2 x 1/2 x 2 3/4	3/4-10 x 1.61
-	206	-	-	-	-	-

Output Sleeve

Model	AM	EA2	EH	U2	UF	UY2	KEY
SSHB2043E*	0.49	3.34	6.68	1.375 ^{+0.0025} ₀	1.97	1.52	(2) 5/16 x 5/16 x 1 3/4
-	12.4	84.8	169.7	-	-	-	-
SSHB2063E*	0.38	3.84	7.68	1.500 ^{+0.0025} ₀	2.25	1.67	(2) 3/8 x 3/8 x 2 1/4
-	9.7	97.5	195.1	-	-	-	-
SSHB2073E*	0.54	4.52	9.04	2.000 ^{+0.0025} ₀	2.75	2.23	(2) 1/2 x 1/2 x 2 3/4
-	13.7	114.8	229.6	-	-	-	-

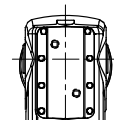
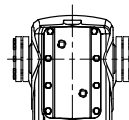
*Output Styles



Motor Compatibility - NEMA

Model	NEMA		
	56C	143TC 145TC	WT. (LBS)
SSHB2043E*	C	13.12	58
-		333	-
SSHB2063E*	C	15.97	97
-		405	-
SSHB2073E*	C	18.15	147
-		461	-

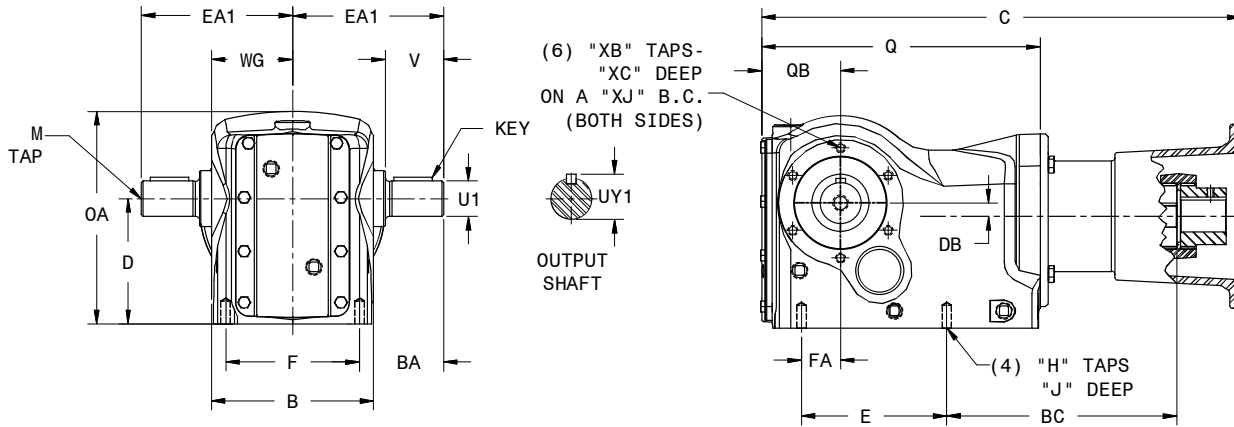
*Output Styles



DIMENSIONS SHOWN ARE FOR REFERENCE ONLY.
Download available CAD models at: www.hubcityinc.com
For Lubrication and Installation Instructions refer to Section S.

Hub City CleanLine™ Gear Drives

Stainless Steel Helical Bevel



Dimensions are $\frac{\text{inch}}{\text{mm}}$

Gearcase

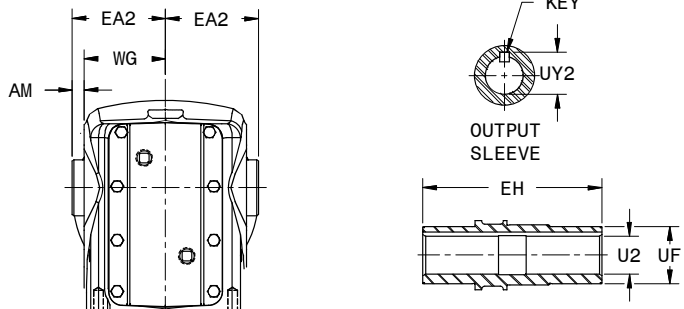
Model	OA	Q	QB	WG
SSHB2043P*	7.48	9.84	2.81	2.85
	190	250	71	72.5
SSHB2063P*	9.01	11.13	3.54	3.46
	229	283	90	87.9
SSHB2073P*	11.33	13.31	4.52	3.98
	288	338	114	101

Gearcase

Model	XB	XC	XJ
SSHB2043P*	-	0.63	3.875
	M8 X 1.25	16.0	98.43
SSHB2063P*	-	0.66	4.750
	M10 X 1.5	16.8	120.65
SSHB2073P*	-	0.95	5.375
	M12 X 1.75	24.1	136.52

Output Shaft

EA1	U1	UY1	V	KEY	M
5.31	1.250 $^{+0}_{-.001}$	1.36	2.04	$\frac{1}{4} \times \frac{1}{4} \times 1\frac{1}{2}$	$\frac{1}{2}$ -13 x 1.13
135	-	-	-	-	-
6.73	1.625 $^{+0}_{-.001}$	1.78	2.88	$\frac{3}{8} \times \frac{3}{8} \times 2\frac{1}{4}$	$\frac{5}{8}$ -11 x 1.38
171	-	-	-	-	-
8.11	2.000 $^{+0}_{-.001}$	2.21	3.59	$\frac{1}{2} \times \frac{1}{2} \times 2\frac{3}{4}$	$\frac{3}{4}$ -10 x 1.61
206	-	-	-	-	-



Gearcase

Model	B	BA	BC	D	DB	E	F	FA	H	J
SSHB2043P*	5.71	2.95	8.09	4.41 $^{+0}_{-.02}$	0.47	5.12	4.72	1.38	-	0.63
	145	75	205	112 $^{+0}_{-.5}$	12.0	130	120	35	M10 X 1.75	16
SSHB2063P*	6.69	3.98	10.30	5.51 $^{+0}_{-.02}$	0.62	4.72	5.51	1.18	-	0.95
	170	101	261	140 $^{+0}_{-.5}$	15.8	120	140	30	M12 X 1.75	24
SSHB2073P*	7.87	4.86	10.73	7.09 $^{+0}_{-.02}$	1.08	5.91	6.50	1.57	-	1.10
	200	123.5	272	180 $^{+0}_{-.5}$	27.3	150	165	40	M14 X 2.0	28

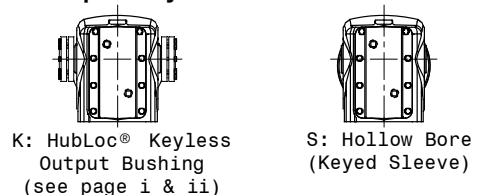
Output Sleeve

Model	AM	EA2	EH	U2	UF	UY2	KEY
SSHB2043P*	0.49	3.34	6.68	1.375 $^{+0.0025}_{-0}$	1.97	1.52	(2) $\frac{5}{16} \times \frac{5}{16} \times 1\frac{1}{4}$
	12.4	84.8	169.7	-	-	-	-
SSHB2063P*	0.38	3.84	7.68	1.500 $^{+0.0025}_{-0}$	2.25	1.67	(2) $\frac{3}{8} \times \frac{3}{8} \times 2\frac{1}{4}$
	9.7	97.5	195.1	-	-	-	-
SSHB2073P*	0.54	4.52	9.04	2.000 $^{+0.0025}_{-0}$	2.75	2.23	(2) $\frac{1}{2} \times \frac{1}{2} \times 2\frac{3}{4}$
	13.7	114.8	229.6	-	-	-	-

Motor Compatibility - NEMA

Model	NEMA C-FLANGE			182TC 184TC	213TC 215TC	WT. (LBS)
	56C	143TC 145TC	WT. (LBS)			
SSHB2043P*	C	16.48	66	15.14	-	74
		418	-	384	-	-
SSHB2063P*	C	19.65	106	20.67	-	116
		499	-	525	-	-
SSHB2073P*	C	21.83	156	22.85	22.85	166
		554	-	580	580	-

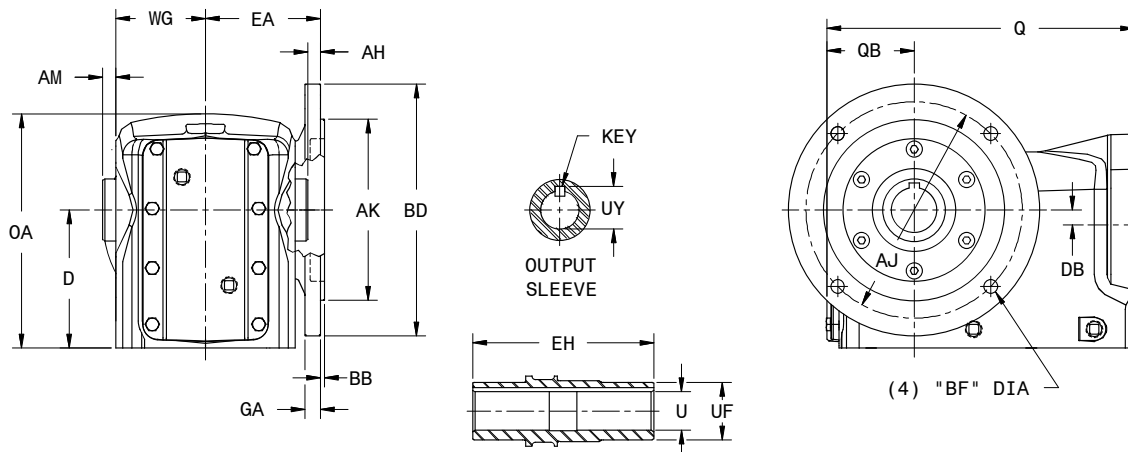
*Output Styles



DIMENSIONS SHOWN ARE FOR REFERENCE ONLY.
Download available CAD models at: www.hubcityinc.com
For Lubrication and Installation Instructions refer to Section S.

Hub City CleanLine™ Gear Drives

Stainless Steel Helical Bevel • Accessory Kits



Dimensions are $\frac{\text{inch}}{\text{mm}}$

Gearcase

Series	D	DB	EA	OA	Q	QB	WG
SSHB2040	4.41	0.47	3.94	7.48	9.84	2.81	2.85
	112	12.0	100	190	250	71	72.5
SSHB2060	5.51	0.62	4.45	9.01	11.13	3.54	3.46
	140	15.8	113	229	283	90	87.9
SSHB2070	7.09	1.08	5.59	11.33	13.21	4.41	3.98
	180	27.3	142	288	335	112	101

Output Sleeve

EH	U	UF	UY	KEY
6.68	1.375 $^{+.0025}_0$	1.97	1.52	(2) $\frac{5}{16} \times \frac{5}{16} \times 1\frac{3}{4}$
-	-	-	-	-
7.68	1.500 $^{+.0025}_0$	2.25	1.67	(2) $\frac{3}{8} \times \frac{3}{8} \times 2\frac{1}{4}$
-	-	-	-	-
9.04	2.000 $^{+.0025}_0$	2.75	2.23	(2) $\frac{1}{2} \times \frac{1}{2} \times 2\frac{3}{4}$
-	-	-	-	-

Flange

Series	AH	AJ	AK	BB	BD	BF	GA
SSHB2040	0.60	6.496	5.118 $^{+0}_{-.002}$	0.14	7.87	0.44	0.47
	15	165	130 $^{+0}_{-.050}$	3.5	200	11	12
SSHB2060	0.61	8.465	7.087 $^{+0}_{-.002}$	0.16	9.84	0.53	0.59
	15	215	180 $^{+0}_{-.050}$	4	250	13.5	15
SSHB2070	1.07	10.433	9.055 $^{+0}_{-.002}$	0.16	11.81	0.53	0.63
	27	265	230 $^{+0}_{-.050}$	4	300	13.5	16

Flange Mount Kit

Series	Kit Number	WT. (LBS)
SSHB2040	0259-00268	8
SSHB2060	0259-00269	14
SSHB2070	0259-00270	23

Flange mount kits are designed to be installed by the customer.

DIMENSIONS SHOWN ARE FOR REFERENCE ONLY.
Download available CAD models at: www.hubcityinc.com

Quick Reference Competitor Model Interchange Guide

CAST IRON COMPETITORS						
HUB CITY	BOSTON	DODGE	NORD	SEW	STERLING	STOBER
SSHB2043	2043R	BB48	SK9012	K47/KA47	K043	K302/303
SSHB2063	2063R	BB68	SK9022	K67/KA67	K063	
SSHB2073	2073R	BB88	SK9032	K77/KA77		
STAINLESS STEEL COMPETITORS						
HUB CITY	BOSTON	DODGE	NORD	SEW	STERLING	STOBER
SSHB2043	SSRF2043R	BB48	No Stainless Steel	SEW model is smaller	SSK043	KSS302/303
SSHB2063	SSRF2063R				SSK063	

NOTE: FOR QUICK CROSS REFERENCE ONLY. ALL CRITICAL MOUNTING DIMENSIONS MUST BE VERIFIED



Select hollow output bore models in this product line are now available with the HubLoc® Keyless Bushing System. Refer to pages i and ii at front of this catalog for features, available sizes, and ordering information.

Hub City CleanLine™ Gear Drives

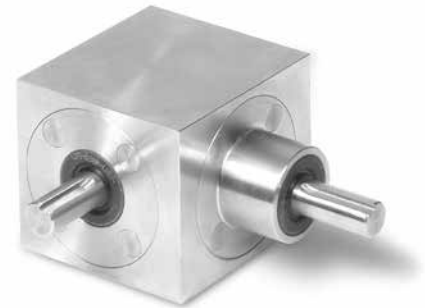
CleanLine UltraPlus™

Hub³® Bevel Gear Drives Model SSM3



Features:

- 316 Series Stainless Steel Housings & Shafts
- All Exterior Surfaces Machined
- Precision Ball Bearings to Accommodate Higher Operating Speeds.
- Choice of Five (5) Gear Ratios.
- Factory Configured for Universal Mounting Assures Maximum Design Flexibility
- High Pressure Dual Lip Seals Configured for Severe High Pressure & Chemical Washdown Environments
- Factory Filled with USDA H1 Lubricant



Rating Table

INPUT RPM †		REDUCTION RATIOS				
		1:1 ST	1:1 SPA	1.5:1 ST	2:1 ST	2:1 SPA
3000	INPUT HORSEPOWER		3.59	2.60	1.75	1.77
	OUTPUT TORQUE IN. LBS.		75.50	82.00	73.00	74.20
	‡INPUT O.H.L.		25.00	72.00	83.00	30.00
	‡OUTPUT O.H.L.		70.00	200.00	245.00	100.00
2400	INPUT HORSEPOWER	3.00	2.95	2.10	1.40	1.45
	OUTPUT TORQUE IN. LBS.	79.00	77.40	83.00	74.00	76.10
	‡INPUT O.H.L.	67.00	45.00	85.00	90.00	50.00
	‡OUTPUT O.H.L.	155.00	105.00	220.00	270.00	135.00
1750	INPUT HORSEPOWER	2.25	2.19	1.57	1.04	1.07
	OUTPUT TORQUE IN. LBS.	81.00	78.70	84.00	75.00	77.20
	‡INPUT O.H.L.	88.00	60.00	98.00	102.00	70.00
	‡OUTPUT O.H.L.	177.00	150.00	245.00	300.00	180.00
1150	INPUT HORSEPOWER	1.50	1.47	1.03	.70	.72
	OUTPUT TORQUE IN. LBS.	83.00	80.30	85.00	77.00	78.60
	‡INPUT O.H.L.	110.00	90.00	118.00	121.00	95.00
	‡OUTPUT O.H.L.	205.00	175.00	290.00	350.00	210.00
850	INPUT HORSEPOWER	1.13	1.10	.80	.53	.54
	OUTPUT TORQUE IN. LBS.	84.00	81.30	88.00	78.00	79.40
	‡INPUT O.H.L.	131.00	100.00	137.00	142.00	105.00
	‡OUTPUT O.H.L.	240.00	210.00	320.00	382.00	240.00
690	INPUT HORSEPOWER	.93	.90	.65	.43	.44
	OUTPUT TORQUE IN. LBS.	85.00	81.90	89.00	80.00	80.00
	‡INPUT O.H.L.	137.00	110.00	144.00	148.00	112.00
	‡OUTPUT O.H.L.	267.00	230.00	350.00	400.00	270.00
400	INPUT HORSEPOWER	.55	.53	.39	.26	.26
	OUTPUT TORQUE IN. LBS.	87.00	83.30	92.00	82.00	81.20
	‡INPUT O.H.L.	169.00	125.00	175.00	180.00	138.00
	‡OUTPUT O.H.L.	330.00	300.00	400.00	400.00	330.00
300	INPUT HORSEPOWER	.42	.40	.30	.20	.19
	OUTPUT TORQUE IN. LBS.	88.00	84.70	95.00	83.00	82.40
	‡INPUT O.H.L.	189.00	150.00	190.00	190.00	152.00
	‡OUTPUT O.H.L.	378.00	400.00	400.00	400.00	400.00
100	INPUT HORSEPOWER	.14	.14	.12	.08	.07
	OUTPUT TORQUE IN. LBS.	90.00	85.80	113.00	100.00	83.20
	‡INPUT O.H.L.	190.00	160.00	190.00	190.00	175.00
	‡OUTPUT O.H.L.	400.00	400.00	400.00	400.00	400.00

† FOR HIGHER INPUT SPEEDS CONSULT FACTORY

‡ OVERHUNG LOAD IN POUNDS AT CENTER OF SHAFT EXTENSIONS

Δ MFG. TO ORDER - CONSULT FACTORY FOR PRICE AND DELIVERY

ST STRAIGHT BEVEL GEARING

SP SPIRAL BEVEL GEARING



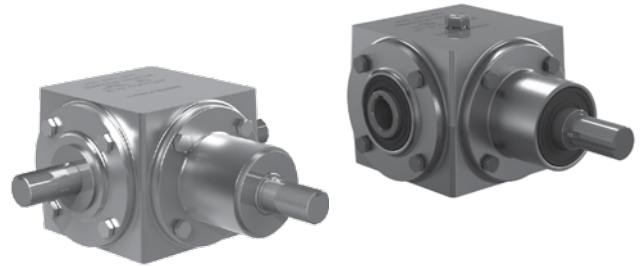
Hub City CleanLine™ Gear Drives

CleanLine UltraPlus™

Hub³® Bevel Gear Drives Models SS165 & SS175

Features:

- Smooth Machined or polished cast housing surface
- Power Ratings to 28HP and ratios to 3/1
- Designed to be Compliant with NSF/ANSI/3-A » 14159-1—2002
- Factory Filled with USDA H1 Lubricant
- 316 Series Stainless Steel Housings
- HACCP Compatible & BISSC Certified



Rating Table

INPUT RPM†		REDUCTION RATIOS						
		1:1 ST*	1:1 SP	1.5:1 ST*	1.5:1 SP	2:1 ST*	2:1 SP	3:1 SP
3000	INPUT HORSEPOWER		26.87		28.00		16.75	8.70
	OUTPUT TORQUE IN. LBS.		564.00		883.00		703.00	548.00
	‡INPUT O.H.L.		25.00		25.00		55.00	225.00
	‡OUTPUT O.H.L.		160.00		200.00		500.00	625.00
2400	INPUT HORSEPOWER		21.80		22.70	9.00	13.65	7.00
	OUTPUT TORQUE IN. LBS.		570.00		895.00	341.00	717.00	554.00
	‡INPUT O.H.L.		54.00		50.00	330.00	85.00	275.00
	‡OUTPUT O.H.L.		215.00		225.00	410.00	600.00	700.00
1750	INPUT HORSEPOWER		16.00	9.20	16.90	6.25	10.25	5.20
	OUTPUT TORQUE IN. LBS.		580.00	500.00	911.00	442.00	736.00	562.00
	‡INPUT O.H.L.		114.00	366.00	75.00	372.00	125.00	350.00
	‡OUTPUT O.H.L.		265.00	320.00	275.00	455.00	665.00	775.00
1150	INPUT HORSEPOWER	17.00	11.00	6.20	11.30	4.25	7.00	3.50
	OUTPUT TORQUE IN. LBS.	930.00	600.00	510.00	930.00	465.00	761.00	571.00
	‡INPUT O.H.L.	79.00	182.00	426.00	125.00	434.00	200.00	475.00
	‡OUTPUT O.H.L.	260.00	310.00	380.00	375.00	525.00	750.00	800.00
850	INPUT HORSEPOWER	13.00	8.30	4.70	8.50	3.25	5.25	2.60
	OUTPUT TORQUE IN. LBS.	960.00	615.00	520.00	941.00	481.00	777.00	576.00
	‡INPUT O.H.L.	121.00	211.00	473.00	250.00	481.00	280.00	575.00
	‡OUTPUT O.H.L.	305.00	355.00	425.00	450.00	555.00	800.00	800.00
690	INPUT HORSEPOWER	10.60	6.80	3.90	6.90	2.70	4.30	2.10
	OUTPUT TORQUE IN. LBS.	970.00	620.00	530.00	950.00	494.00	788.00	578.00
	‡INPUT O.H.L.	156.00	243.00	508.00	325.00	517.00	345.00	600.00
	‡OUTPUT O.H.L.	345.00	395.00	470.00	500.00	575.00	800.00	800.00
400	INPUT HORSEPOWER	6.30	4.10	2.30	4.10	1.60	2.60	1.24
	OUTPUT TORQUE IN. LBS.	1000.00	645.00	550.00	964.00	504.00	815.00	586.00
	‡INPUT O.H.L.	374.00	319.00	600.00	375.00	600.00	500.00	600.00
	‡OUTPUT O.H.L.	425.00	475.00	610.00	650.00	780.00	800.00	800.00
300	INPUT HORSEPOWER	5.00	3.10	1.80	3.10	1.25	2.00	.94
	OUTPUT TORQUE IN. LBS.	1010.00	650.00	560.00	974.00	525.00	829.00	592.00
	‡INPUT O.H.L.	450.00	384.00	600.00	475.00	600.00	600.00	600.00
	‡OUTPUT O.H.L.	500.00	550.00	655.00	750.00	800.00	800.00	800.00
100	INPUT HORSEPOWER	1.65	1.10	.65	1.05	.50	.70	.32
	OUTPUT TORQUE IN. LBS.	1040.00	693.00	615.00	993.00	630.00	876.00	605.00
	‡INPUT O.H.L.	600.00	600.00	600.00	600.00	600.00	600.00	600.00
	‡OUTPUT O.H.L.	775.00	800.00	800.00	800.00	800.00	800.00	800.00

† FOR HIGHER INPUT SPEEDS CONSULT FACTORY

* NOT AVAILABLE IN MODEL SS175

‡ OVERHUNG LOAD IN POUNDS AT CENTER OF SHAFT EXTENSIONS

ST STRAIGHT BEVEL GEARING

SP SPIRAL BEVEL GEARING



Hub City CleanLine™ Gear Drives

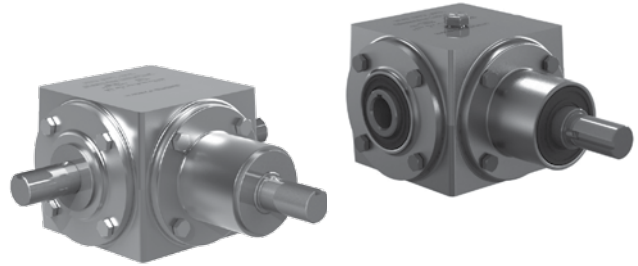
CleanLine UltraPlus™

Hub³® Bevel Gear Drives Models SS66 & SS65



Features:

- Smooth Machined or polished cast housing surface
- Power Ratings to 50HP and ratios to 3/1
- Designed to be Compliant with NSF/ANSI/3-A » 14159-1—2002
- Factory Filled with USDA H1 Lubricant
- 316 Series Stainless Steel Housings
- HACCP Compatible & BISSC Certified



Rating Table

INPUT RPM†		REDUCTION RATIOS						
		1:1 ST*	1:1 SP	1.5:1 ST*	1.5:1 SP	2:1 ST*	2:1 SP	3:1 SP
3000	INPUT HORSEPOWER				56.00		25.50	15.40
	OUTPUT TORQUE IN. LBS.				1765.00		1072.00	951.00
	‡INPUT O.H.L.				38.00		100.00	35.00
	‡OUTPUT O.H.L.				80.00		725.00	100.00
2400	INPUT HORSEPOWER		59.00		46.00		20.67	12.50
	OUTPUT TORQUE IN. LBS.		1550.00		1810.00		1085.00	961.00
	‡INPUT O.H.L.		30.00		59.00		125.00	45.00
	‡OUTPUT O.H.L.		65.00		100.00		800.00	225.00
1750	INPUT HORSEPOWER		46.00	15.00	35.00	7.30	15.40	9.20
	OUTPUT TORQUE IN. LBS.		1650.00	810.00	1887.00	525.00	1112.00	975.00
	‡INPUT O.H.L.		62.00	351.00	97.00	459.00	225.00	85.00
	‡OUTPUT O.H.L.		100.00	300.00	140.00	330.00	900.00	350.00
1150	INPUT HORSEPOWER	24.20	30.50	10.60	23.00	5.40	10.30	6.15
	OUTPUT TORQUE IN. LBS.	1320.00	1670.00	870.00	1930.00	591.00	1125.70	989.00
	‡INPUT O.H.L.	126.00	109.00	446.00	133.00	521.00	400.00	100.00
	‡OUTPUT O.H.L.	190.00	160.00	340.00	190.00	380.00	1075.00	500.00
850	INPUT HORSEPOWER	19.00	24.00	8.20	18.00	4.50	7.68	4.60
	OUTPUT TORQUE IN. LBS.	1410.00	1790.00	910.00	2000.00	667.00	1139.00	998.00
	‡INPUT O.H.L.	158.00	143.00	524.00	161.00	567.00	525.00	195.00
	‡OUTPUT O.H.L.	230.00	210.00	400.00	230.00	440.00	1080.00	750.00
690	INPUT HORSEPOWER	16.30	20.00	7.10	15.00	3.90	6.28	3.75
	OUTPUT TORQUE IN. LBS.	1480.00	1830.00	970.00	2050.00	712.00	1147.00	1009.00
	‡INPUT O.H.L.	213.00	178.00	558.00	217.00	603.00	600.00	215.00
	‡OUTPUT O.H.L.	265.00	250.00	445.00	270.00	465.00	1080.00	800.00
300	INPUT HORSEPOWER	8.14	10.00	3.50	7.00	1.80	2.80	1.65
	OUTPUT TORQUE IN. LBS.	1700.00	2100.00	1100.00	2205.00	756.00	1177.00	1031.00
	‡INPUT O.H.L.	418.00	312.00	744.00	421.00	806.00	900.00	550.00
	‡OUTPUT O.H.L.	425.00	420.00	645.00	425.00	715.00	1080.00	1080.00
100	INPUT HORSEPOWER	2.86	3.70	1.40	3.00	.70	.95	.55
	OUTPUT TORQUE IN. LBS.	1800.00	2330.00	1320.00	2835.00	882.00	1198.00	1056.00
	‡INPUT O.H.L.	625.00	493.00	900.00	611.00	900.00	900.00	800.00
	‡OUTPUT O.H.L.	695.00	685.00	965.00	685.00	1080.00	1080.00	1080.00
WR2 (Lb. In.2) REFERRED TO HIGH SPEED SHAFT	STYLE							
	A, B	6.29	5.42	3.10	4.04	1.87	2.17	1.24
	C, D, E, F	6.08	5.21	3.00	3.96	1.82	2.12	1.22
	G	8.76	7.45	4.43	6.27	2.59	3.19	1.68
	GG	9.21	7.90	4.46	5.47	2.81	3.08	1.97
WR2 (Lb. In.2) REFERRED TO LOW SPEED SHAFT	A, B	6.29	5.42	6.97	9.42	7.50	8.67	11.17
	C, D, E, F	6.08	5.21	6.76	9.22	7.29	8.46	10.96
	G	8.76	7.45	9.96	14.62	10.35	12.77	15.16
	GG	9.21	7.90	10.03	12.74	11.22	12.33	17.70

† FOR HIGHER INPUT SPEEDS CONSULT FACTORY

* NOT AVAILABLE IN MODEL SS65

‡ OVERHUNG LOAD IN POUNDS AT CENTER OF SHAFT EXTENSIONS

ST STRAIGHT BEVEL GEARING

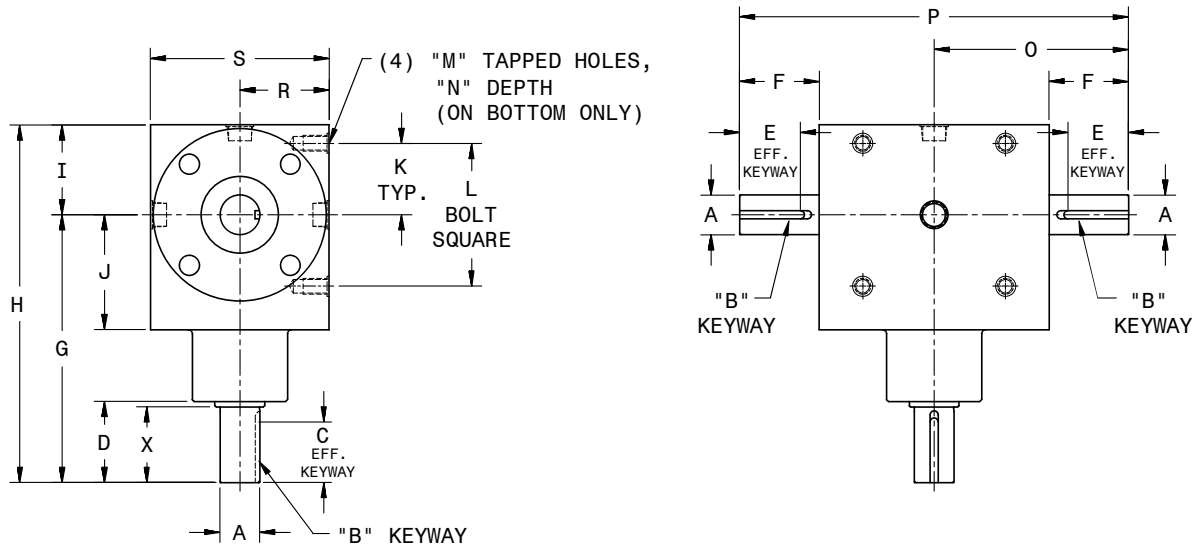
SP SPIRAL BEVEL GEARING



Hub City CleanLine™ Gear Drives

CleanLine UltraPlus™

Hub³® Bevel Gear Drives Models SSM3, SS165 & SS66



MODEL	A	B	C	D	E	F	G	H	I	J
SSM3	0.625 0.624	3/16 X 3/32 KW	1.00*	1.53	1.00	1.35	4.57	6.20	1.63	1.89
SS165	1.000 0.999	1/4 X 1/8 KW	1.44**	2.03	1.53	2.07	7.16	9.72	2.56	3.03
SS66	1.250 1.249	1/4 X 1/8 KW	1.91	2.56	1.91	2.51	8.44	11.27	2.83	3.62

	WEIGHTS (LBS)	SSM3	SS165	SS66
Styles A,B,C,D,E,F		13	31	54
Style G		16	39	65

MODEL	K	L	M	N	O	P	R	S	X
SSM3	1.125	2.250	5/16-18UNC-2B	0.44	3.24	6.47	1.594	3.188	N/A
SS165	2.125	4.250	3/8-16UNC-2B	0.69	5.10	10.19	2.313	4.625	1.89
SS66	2.250	4.500	1/2-13UNC-2B	0.81	6.13	12.25	2.814	5.628	N/A

* - 1.16 EFFECTIVE KEYWAY ON SSM3, 2/1 STRAIGHT BEVEL RATIO

** - 1.53 EFFECTIVE KEYWAY ON SS165, 3/1 SPIRAL BEVEL RATIO

"A" SHAFT EXTENSION ON SSM3 2/1 STRAIGHT BEVEL, SS165 3/1 SPIRAL BEVEL AND SS66 3/1 SPIRAL BEVEL RATIOS ARE MADE FROM 8620 STEEL TREATED FOR CORROSION RESISTANCE.

NOTE: STYLE G;

1. DIMENSIONS FOR SHAFTS A, A1 AND A2 ARE IDENTICAL FOR ALL RATIOS.

2. CENTERLINE TO END OF SHAFT DIMENSIONS WILL VARY. REQUEST CERTIFIED DIMENSIONAL PRINTS.

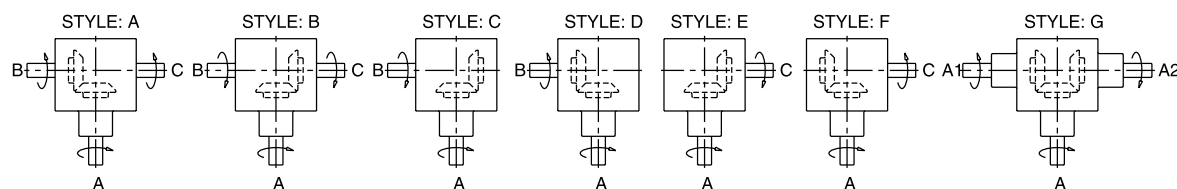
FOR LUBRICATION AND INSTALLATION INSTRUCTIONS REFER TO SECTION S.

DIMENSIONS SHOWN ARE FOR REFERENCE ONLY.

DOWNLOAD AVAILABLE CAD MODELS AT: WWW.HUBCITYINC.COM

Standard Styles Available

(Viewed from Top of Gear Drives - Mounting Holes on Bottom Surface Only)

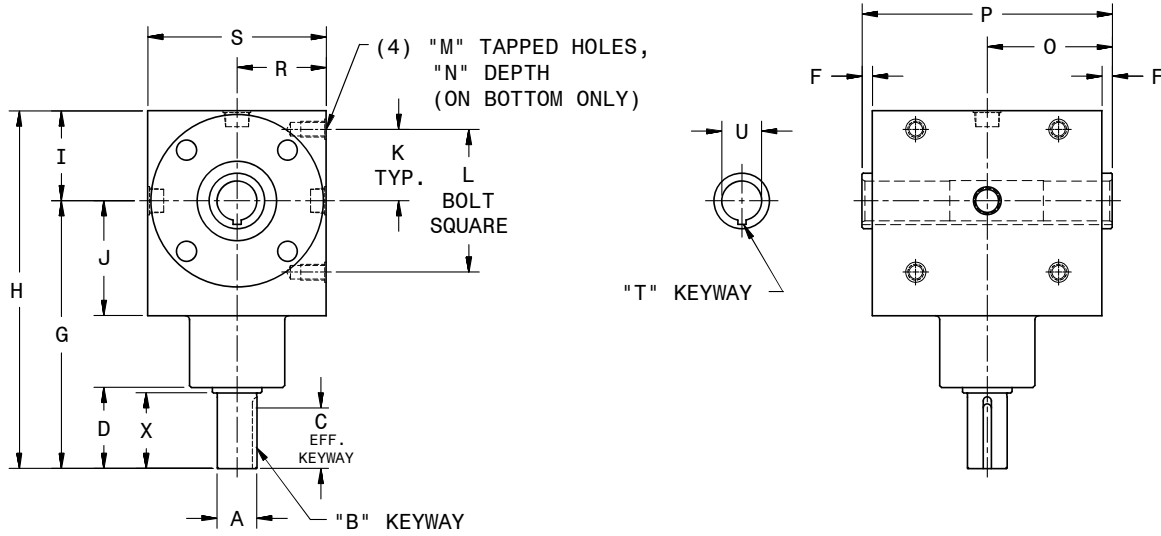


CONSULT FACTORY FOR VERTICAL SHAFT LUBRICATION RECOMMENDATIONS
INPUT SHAFT CAN BE ROTATED IN EITHER DIRECTION

Hub City CleanLine™ Gear Drives

CleanLine UltraPlus™

Hub³® Bevel Gear Drives Models SS175 & SS65



WEIGHTS (LBS)	SS175	SS65
	33	60

MODEL	A	B	C	D	F	G	H	I	J	K	L
SS175	1.000 0.999	1/4 X 1/8 KW	1.44**	2.03	0.17	7.16	9.72	2.56	3.03	2.125	4.250
SS65	1.250 1.249	1/4 X 1/8 KW	1.91	2.56	0.32	8.44	11.27	2.83	3.62	2.250	4.500

MODEL	M	N	O	P	R	S	T	U	X
SS175	3/8-16UNC-2B	0.69	3.20	6.40	2.313	4.625	1/4 X 1/8 KW	1.0000 1.0025	1.89
SS65	1/2-13UNC-2B	0.81	3.94	7.88	2.814	5.628	1/4 X 1/8 KW	1.2500 1.2525	N/A

** - 1.53 EFFECTIVE KEYWAY ON SS175, 3/1 SPIRAL BEVEL RATIO

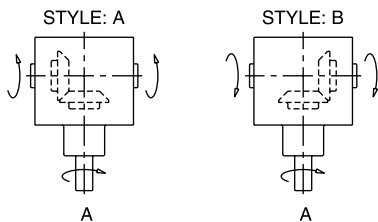
"A" SHAFT EXTENSION ON SS175 3/1 SPIRAL BEVEL AND SS65 3/1 SPIRAL BEVEL RATIOS ARE MADE FROM 8620 STEEL TREATED FOR CORROSION RESISTANCE.

FOR LUBRICATION AND INSTALLATION INSTRUCTIONS REFER TO SECTION 5.

DIMENSIONS SHOWN ARE FOR REFERENCE ONLY.
 DOWNLOAD AVAILABLE CAD MODELS AT: WWW.HUBCITYINC.COM

Standard Styles Available

(Viewed from Top of Gear Drives - Mounting Holes on Bottom SURFACE Only)



CONSULT FACTORY FOR VERTICAL SHAFT LUBRICATION RECOMMENDATIONS
 INPUT SHAFT CAN BE ROTATED IN EITHER DIRECTION

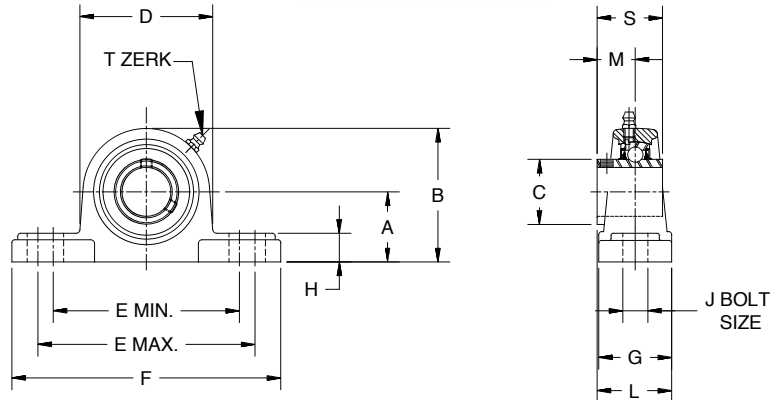
Hub City CleanLine™ Bearing Units

CleanLine UltraPlus™ and Pharmaceutical Stainless Steel Mounted Bearings

Series PB251STW - Pillow Block

Features:

- 440 Stainless Steel Rings and Balls
- 302 Stainless Steel Flingers and Retainers
- Setscrew Lock - Wide Inner Ring
- Factory Filled USDA H1 Lubricant Meets FDA Regulation 178.3570 Requirement for Incidental Contact with Food
- 304 Stainless Steel Setscrews
- Anti Rotation Pin
- 304 Stainless Steel Housing
- No Ribs Undercuts or Protrusions - Easier to Clean
- Stainless Steel Grease Fittings
- Grooved for Composite Dust Caps on One Side, See Page O-51



SHAFT SIZE	A	B	C	D	E MIN.	E MAX.	F	G	H	J	L	M	S	WT. LBS.
1/2, 5/8, 3/4	1.312	2.560	1.114	2.560	3.460	4.020	5.000	1.500	.610	.430	1.470	.720	1.220	1.4
7/8, 1	1.438	2.800	1.340	2.870	3.860	4.410	5.510	1.500	.590	.510	1.530	.779	1.343	1.7
1-1/8, 1-3/16, 1-1/4s	1.688	3.310	1.590	3.390	4.560	4.960	6.500	1.890	.670	.670	1.820	.874	1.500	2.9
1-1/4, 1-3/8, 1-7/16	1.874	3.700	1.846	3.740	4.800	5.200	6.570	1.890	.750	.550	1.820	1.000	1.689	3.5
1-1/2	1.938	3.860	2.060	4.130	5.200	5.590	7.250	2.130	.790	.670	2.250	1.189	1.937	4.4
1-5/8, 1-11/16, 1-3/4	2.125	4.170	2.260	4.410	5.550	5.940	7.480	2.130	.790	.670	2.250	1.189	1.937	5.0
1-15/16	2.250	4.500	2.490	4.690	6.100	6.420	8.070	2.360	.830	.770	2.460	1.283	2.031	5.9

Part Numbers are specified by "PB251STW" and Bore Size. Example: PB251STW x 1.
For replacement inserts use B250TW Bearing Inserts, O-47
T-Zerk: 1/4-28 Taper

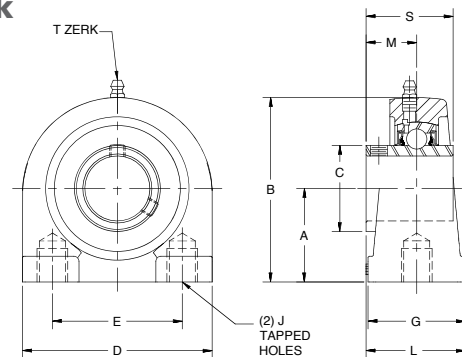
For Load Ratings, See page O-48.

Series TPB250STW - Tapped Base Pillow Block

Features: (same as above)

FOR LUBRICATION AND INSTALLATION
INSTRUCTIONS - REFER TO SECTION S

NOTE: PRODUCTS ON THIS PAGE ARE AVAILABLE WITH
TRIPLE LIP SEALS (SEE PAGE O-47)
TO ORDER ADD SUFFIX L3 (EXAMPLE PB251STWX1L3)



SHAFT SIZE	A	B	C	D	E	G	J - TAPPED HOLES	L	M	S	WT. LBS.
1/2, 5/8, 3/4	1.312	2.560	1.114	2.870	2.000	1.500	3/8-16UNC X .50	1.470	.720	1.206	1.5
7/8, 1	1.437	2.800	1.340	3.000	2.000	1.500	3/8-16UNC X .50	1.530	.776	1.343	1.5
1-1/8, 1-3/16, 1-1/4s	1.687	3.380	1.590	4.000	3.000	1.500	7/16-14UNC X .63	1.620	.874	1.500	1.9
1-1/4, 1-3/8, 1-7/16	1.875	3.740	1.846	4.250	3.250	1.890	1/2-13UNC X .75	1.950	1.000	1.689	2.0
1-1/2	1.937	3.940	2.060	4.610	3.500	1.890	1/2-13UNC X .75	2.130	1.189	1.937	2.8
1-5/8, 1-11/16, 1-3/4	2.125	4.250	2.260	5.000	3.750	2.000	1/2-13UNC X .75	2.190	1.189	1.937	3.3
1-15/16	2.250	4.640	2.490	5.500	4.000	2.000	5/8-11UNC X .79	2.280	1.283	2.031	4.2

Part Numbers are specified by "TPB250STW" and Bore Size. Example: TPB250STW x 3/4.
For replacement inserts use B250TW Bearing Inserts, O-47
T-Zerk: 1/4-28 Taper

For Load Ratings, See page O-48.

DOWNLOAD AVAILABLE CAD MODELS AT: WWW.HUBCITYINC.COM

DIMENSIONS SHOWN ARE FOR REFERENCE ONLY.

EMAIL: hubsales@regalbeloit.com • www.hubcityinc.com



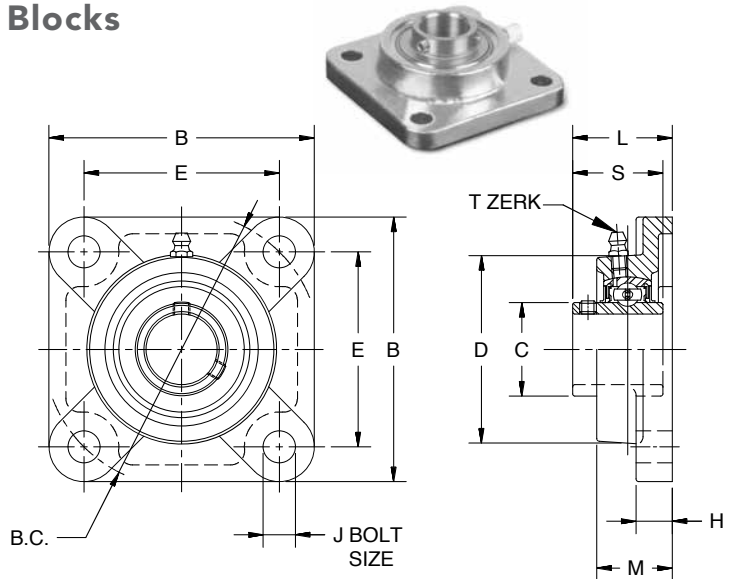
Hub City CleanLine™ Bearing Units

CleanLine UltraPlus™ and Pharmaceutical Stainless Steel Mounted Bearings

Series FB250STW - Four Bolt Flange Blocks

Features:

- 440 Stainless Steel Rings and Balls
- 302 Stainless Steel Flingers and Retainers
- Setscrew Lock - Wide Inner Ring
- Factory Filled USDA H1 Lubricant Meets FDA Regulation 178.3570 Requirement for Incidental Contact with Food
- 304 Stainless Steel Setscrews
- Anti Rotation Pin
- 304 Stainless Steel Housing
- No Ribs - Undercuts or Protrusions Easier to Clean
- Stainless Steel Grease Fittings
- Grooved for Composite Dust Caps on One Side, See Page O-51



SHAFT SIZE	B	B.C.	C	D	E	H	J	L	M	S	WT. LBS.
1/2, 5/8, 3/4	3.380	3.563	1.114	2.360	2.520	.470	.472	1.311	1.040	1.220	1.3
7/8, 1	3.740	3.898	1.340	2.800	2.756	.510	.472	1.409	1.060	1.342	1.8
1-1/8, 1-3/16, 1-1/4s	4.250	4.622	1.590	3.190	3.268	.510	.472	1.583	1.220	1.500	2.4
1-1/4, 1-3/8, 1-7/16	4.610	5.122	1.846	3.620	3.622	.540	.551	1.748	1.340	1.689	3.5
1-1/2	5.120	5.679	2.060	4.090	4.016	.590	.630	2.016	1.420	1.937	4.2
1-5/8, 1-11/16, 1-3/4	5.390	5.846	2.260	4.250	4.134	.630	.630	2.055	1.500	1.937	5.3
1-15/16	5.570	6.180	2.490	4.450	4.370	.630	.630	2.150	1.570	2.031	5.7

Part Numbers are specified by "FB250STW" and Bore Size. Example: FB250STW x 3/4.
For replacement inserts use B250TW Bearing Inserts, O-47.
T-Zerk: 1/4-28 Taper

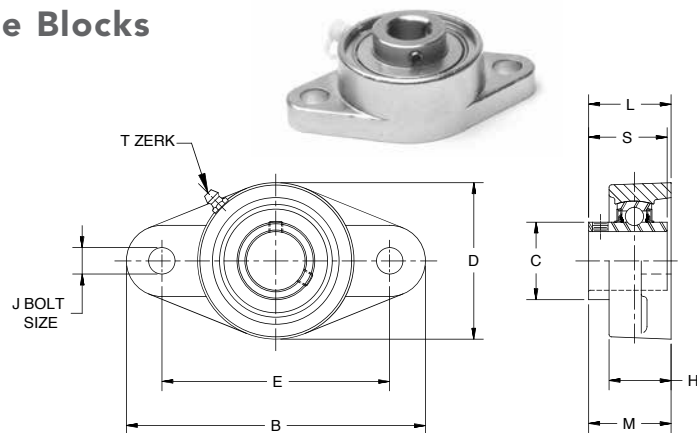
For Load Ratings, See page O-48.

Series FB260STW - Two Bolt Flange Blocks

Features: (same as above)

FOR LUBRICATION AND INSTALLATION
INSTRUCTIONS - REFER TO SECTION S

NOTE: PRODUCTS ON THIS PAGE ARE AVAILABLE WITH
TRIPLE LIP SEALS (SEE PAGE O-47)
TO ORDER ADD SUFFIX L3 (EXAMPLE PB2515TWX1L3)



SHAFT SIZE	B	C	D	E	H	J	L	M	S	WT. LBS.
1/2, 5/8, 3/4	4.450	1.114	2.360	3.543	.400	.472	1.311	1.040	1.220	1.1
7/8, 1	5.120	1.340	2.680	3.898	.510	.492	1.409	1.060	1.342	1.4
1-1/8, 1-3/16, 1-1/4s	5.830	1.590	3.150	4.606	.510	.492	1.583	1.220	1.500	1.9
1-1/4, 1-3/8, 1-7/16	6.340	1.846	3.540	5.118	.630	.551	1.748	1.340	1.689	2.6
1-1/2	6.890	2.060	3.940	5.669	.630	.551	2.016	1.420	1.937	3.5
1-5/8, 1-11/16, 1-3/4	7.440	2.260	4.220	5.827	.590	.630	2.055	1.500	1.937	4.2
1-15/16	7.750	2.490	4.530	6.181	.630	.630	2.150	1.570	2.031	5.1

Part Numbers are specified by "FB260STW" and Bore Size. Example: FB260STW x 3/4.
For replacement inserts use B250TW Bearing Inserts, O-47.
T-Zerk: 1/4-28 Taper

For Load Ratings, See page O-48.

DIMENSIONS SHOWN ARE FOR REFERENCE ONLY.

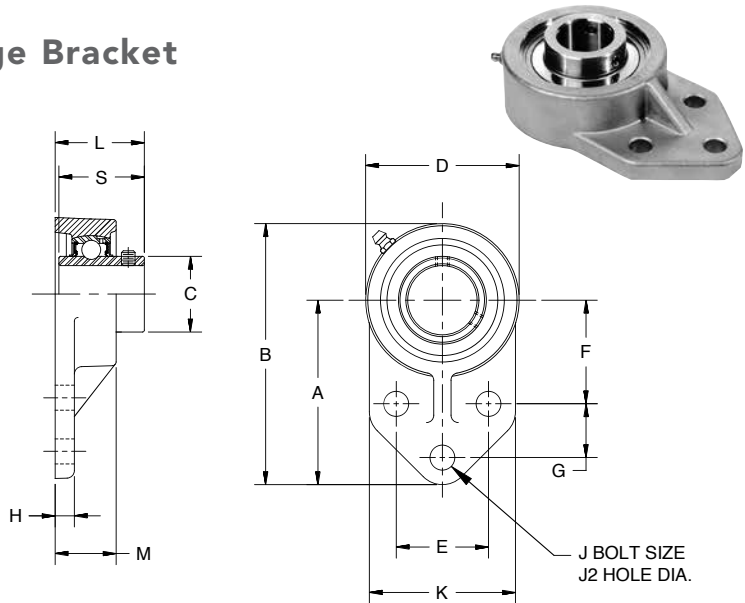
DOWNLOAD AVAILABLE CAD MODELS AT: WWW.HUBCITYINC.COM

Hub City CleanLine™ Bearing Units

Series FR250STW - Three Bolt Flange Bracket

Features:

- 440 Stainless Steel Rings and Balls
- 302 Stainless Steel Flingers and Retainers
- Setscrew Lock - Wide Inner Ring
- Factory Filled USDA H1 Lubricant Meets FDA Regulation 178.3570 Requirement for Incidental Contact with Food
- 304 Stainless Steel Setscrews
- Anti Rotation Pin
- 304 Stainless Steel Housing
- No Ribs - Undercuts or Protrusions Easier to Clean
- Stainless Steel Grease Fittings
- Grooved for Composite Dust Caps on One Side, See Page O-51



SHAFT SIZE	A	B	C	D	E	F	G	H	J	J2	K	L	M	S	WT LBS
1/2, 5/8, 3/4	3.000	4.250	1.114	2.500	1.500	1.688	.875	.310	0.313	.394	2.380	1.350	1.080	1.220	1.3
7/8, 1	3.380	4.750	1.340	2.750	1.625	1.812	1.125	.380	0.313	.394	2.500	1.448	1.140	1.343	1.8
1-1/8, 1-3/16, 1-1/4s	3.750	5.380	1.590	3.250	1.875	2.063	1.250	.380	0.313	.394	2.750	1.622	1.260	1.500	2.4
1-1/4, 1-3/8, 1-7/16	4.250	6.120	1.846	3.750	2.000	2.375	1.250	.500	0.438	.472	3.250	1.827	1.460	1.689	3.5
1-1/2	4.500	6.440	2.060	3.940	2.000	2.375	1.625	.630	0.375	.472	3.060	2.016	1.340	1.937	4.2
1-5/8, 1-11/16, 1-3/4	4.750	6.870	2.260	4.180	2.125	2.562	1.688	.720	0.375	.472	3.130	2.016	1.380	1.937	5.3
1-15/16	5.180	7.500	2.490	4.650	2.750	2.937	1.625	.500	0.438	.512	4.000	2.110	1.500	2.031	5.7

Part Numbers are specified by "FR250STW" and Bore Size. Example: FR250STW x 3/4.
 For replacement inserts use B250TW Bearing Inserts, O-47.
 T-Zerk: 1/4-28 Taper

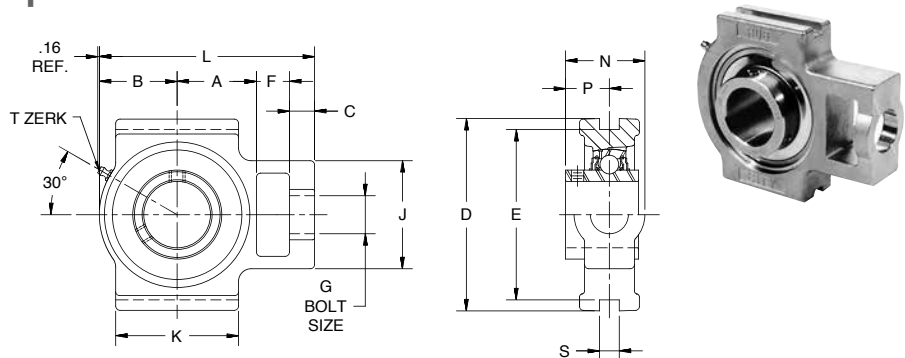
For Load Ratings, See page O-48.

Series TU250STW - Take Up Unit

Features: (same as above)

FOR LUBRICATION AND INSTALLATION INSTRUCTIONS - REFER TO SECTION S

NOTE: PRODUCTS ON THIS PAGE ARE AVAILABLE WITH TRIPLE LIP SEALS (SEE PAGE O-47)
 TO ORDER ADD SUFFIX L3 (EXAMPLE PB2515TWX1L3)



SHAFT SIZE	A	B	C	D	E	F	G	J	K	L	N	P	S	WT LBS
1/2, 5/8, 3/4	1.330	1.220	.280	3.440	3.000	.630	.750	1.850	1.850	3.460	1.350	.720	.3110	1.8
7/8, 1	1.410	1.340	.280	3.440	3.000	.630	.750	1.850	1.850	3.660	1.410	.779	.3110	2.7
1-1/8, 1-3/16, 1-1/4s	1.700	1.610	.350	3.940	3.504	.750	.870	2.240	2.090	4.290	1.600	.874	.3110	3.6
1-1/4, 1-3/8, 1-7/16	1.890	1.850	.350	3.940	3.504	.750	.870	2.240	2.360	4.720	1.730	1.000	.3110	5.0
1-1/2	2.040	2.050	.470	4.440	4.000	.750	1.140	3.150	2.950	5.310	1.950	.984	.3110	6.2
1-5/8, 1-11/16, 1-3/4	2.050	2.200	.550	4.440	4.000	.750	1.140	3.150	3.110	5.550	2.190	1.220	.3110	7.3
1-15/16	2.200	2.320	.550	4.440	4.000	.750	1.140	3.230	3.230	5.820	2.250	1.283	.3110	8.0

Part Numbers are specified by "TU250STW" and Bore Size. Example: TU250STW x 3/4.
 For replacement inserts use B250TW Bearing Inserts, O-47.
 T-Zerk: 1/4-28 Taper

For Load Ratings, See page O-48.

DOWNLOAD AVAILABLE CAD MODELS AT: WWW.HUBCITYINC.COM

DIMENSIONS SHOWN ARE FOR REFERENCE ONLY.

EMAIL: hubsales@regalbeloit.com • www.hubcityinc.com



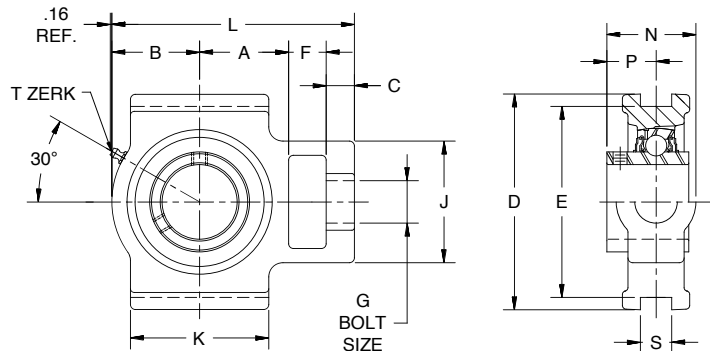
Hub City CleanLine™ Bearing Units

CleanLine UltraPlus™ and Pharmaceutical Stainless Steel Mounted Bearings

Series WSTU250STW - Wide Slot Take Up Unit

Features:

- 440 Stainless Steel Rings and Balls
- 302 Stainless Steel Flingers and Retainers
- Setscrew Lock - Wide Inner Ring
- Factory Filled USDA H1 Lubricant Meets FDA Regulation 178.3570 Requirement for Incidental Contact with Food
- 304 Stainless Steel Setscrews
- Anti Rotation Pin
- 304 Stainless Steel Housing
- No Ribs - Undercuts or Protrusions Easier to Clean
- Stainless Steel Grease Fittings
- Grooved for Composite Dust Caps on One Side,
See Page O-51



SHAFT SIZE	A	B	C	D	E	F	G	J	K	L	N	P	S	WT LBS
1/2, 5/8, 3/4	1.330	1.220	.280	3.440	3.000	.630	.750	1.850	1.850	3.460	1.350	.720	.531	1.8
7/8, 1	1.410	1.340	.280	3.440	3.000	.630	.750	1.850	1.850	3.660	1.410	.779	.531	2.7
1-1/8, 1-3/16, 1-1/4s	1.700	1.610	.350	3.940	3.504	.750	.870	2.240	2.090	4.290	1.600	.874	.531	3.6
1-1/4, 1-3/8, 1-7/16	1.890	1.850	.350	3.940	3.504	.750	.870	2.240	2.360	4.720	1.730	1.000	.531	5.0
1-1/2	2.040	2.050	.470	4.440	4.000	.750	1.140	3.150	2.950	5.310	1.950	.984	.689	6.2
1-5/8, 1-11/16, 1-3/4	2.050	2.200	.550	4.440	4.000	.750	1.140	3.150	3.110	5.550	2.190	1.220	.689	7.3
1-15/16	2.200	2.320	.550	4.440	4.000	.750	1.140	3.230	3.230	5.820	2.250	1.283	.689	8.0

Part Numbers are specified by "WSTU250STW" and Bore Size. Example: WSTU250STW x 3/4.
For replacement inserts use B250TW Bearing Inserts, O-47.
T-Zerk: 1/4-28 Taper

For Load Ratings, See page O-48.

FOR LUBRICATION AND INSTALLATION
INSTRUCTIONS - REFER TO SECTION S

NOTE: PRODUCTS ON THIS PAGE ARE AVAILABLE
WITH TRIPLE LIP SEALS (SEE PAGE O-47)
TO ORDER ADD SUFFIX L3 (EXAMPLE
PB2515TWX1L3)

DIMENSIONS SHOWN ARE FOR REFERENCE ONLY.

DOWNLOAD AVAILABLE CAD MODELS AT: WWW.HUBCITYINC.COM

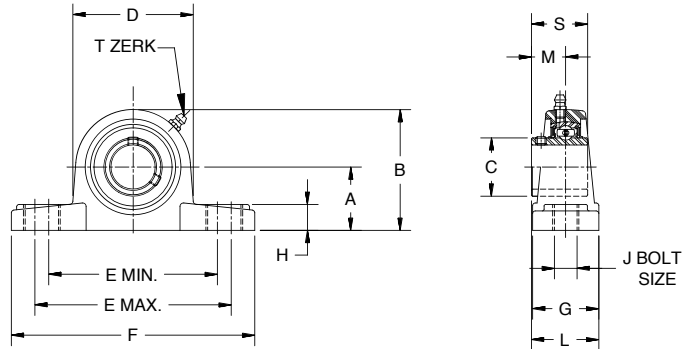
Hub City CleanLine™ Bearing Units

CleanLine Plus™ Thermoplastic Composite Mounted Bearings

Series PB251CTW - Pillow Blocks

Features:

- 440 Stainless Steel Rings and Balls
- 302 Stainless Steel Flingers and Retainers
- Setscrew Lock - Wide Inner Ring
- Factory Filled USDA H1 Lubricant Meets FDA Regulation 178.3570 Requirement for Incidental Contact with Food
- 304 Stainless Steel Setscrews
- Anti Rotation Pin
- Ultradur Glass Reinforced PBT Thermoplastic Housing
- Tensile Strength 16700 psi at Room Temperature
- Stainless Steel Bushings in All Bolt Holes
- Stainless Steel Insert for Zerk Threads
- Stainless Steel Zerks
- Moisture Resistant
- Corrosion Resistant
- Grooved for Composite Dust Caps on One Side, See Page O-51
- Smooth Surface with No Ribs for Easy Cleaning



NOTE: PRODUCTS ON THIS PAGE ARE AVAILABLE WITH TRIPLE LIP SEALS (SEE PAGE O-47) TO ORDER ADD SUFFIX L3 (EXAMPLE PB251Twx1L3)

SHAFT SIZE	A	B	C	D	E MIN.	E MAX.	F	G	H	J	L	M	S	WT. LBS.
1/2, 5/8, 3/4	1.312	2.560	1.114	2.770	3.660	3.820	5.000	1.500	.560	.430	1.470	.720	1.220	.07
7/8, 1	1.438	2.800	1.339	3.080	4.010	4.250	5.510	1.500	.560	.550	1.530	.779	1.343	.07
1-1/8, 1-3/16, 1-1/4s	1.688	3.270	1.590	3.620	4.560	4.800	6.380	1.810	.680	.550	1.780	.874	1.500	1.2
1-1/4, 1-3/8, 1-7/16	1.875	3.700	1.846	3.970	4.880	5.120	6.570	1.890	.700	.550	1.940	1.000	1.689	1.6
1-1/2	1.938	3.860	2.060	4.360	5.270	5.510	7.240	2.130	.770	.550	2.250	1.189	1.937	2.3

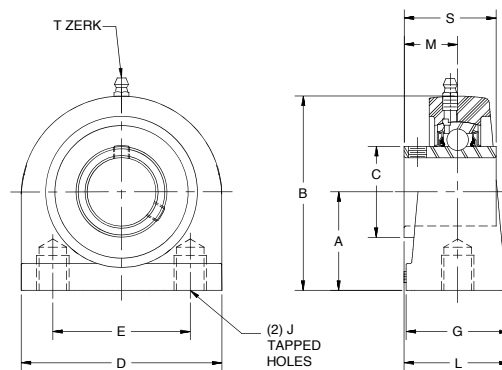
Part Numbers are specified by "PB251CTW" and Bore Size. Example: PB251CTW x 3/4.
For replacement inserts use B250TW Bearing Inserts, O-47.
T-Zerk: 1/4-28 Taper

For Load Ratings, See page O-48 & O-49.

Series TPB250CTW - Tapped Base Pillow Blocks

Features: (same as above)

FOR LUBRICATION AND INSTALLATION INSTRUCTIONS - REFER TO SECTION S



SHAFT SIZE	A	B	C	D	E	G	J - TAPPED HOLES	L	M	S	WT. LBS.
1/2, 5/8, 3/4	1.312	2.600	1.114	2.870	2.000	1.360	3/8-16UNC X .44	1.401	.720	1.206	0.6
7/8, 1	1.437	2.830	1.340	3.000	2.000	1.560	3/8-16UNC X .47	1.560	.779	1.343	0.7
1-1/8, 1-3/16, 1-1/4s	1.687	3.310	1.590	4.000	3.000	1.670	7/16-14UNC X .69	1.709	.874	1.500	1.1
1-1/4, 1-3/8, 1-7/16	1.875	3.700	1.846	4.330	3.250	1.890	1/2-13UNC X .63	1.950	1.000	1.689	1.6
1-1/2	1.937	3.980	2.060	4.720	3.500	1.890	1/2-13UNC X .63	2.134	1.189	1.937	2.2

Part Numbers are specified by "TPB250CTW" and Bore Size. Example: TPB250CTW x 1.
For replacement inserts use B250TW Bearing Inserts, O-47.
T-Zerk: 1/4-28 Taper

For Load Ratings, See page O-48 & O-49.

DOWNLOAD AVAILABLE CAD MODELS AT: WWW.HUBCITYINC.COM

DIMENSIONS SHOWN ARE FOR REFERENCE ONLY.

EMAIL: hubsales@regalbeloit.com • www.hubcityinc.com



O-45

CleanLine™



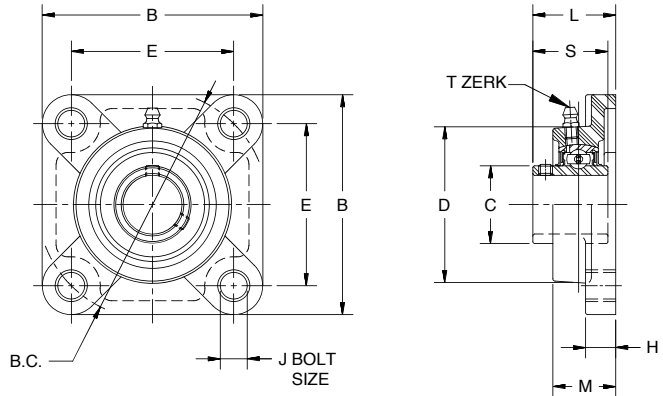
Hub City CleanLine™ Bearing Units

CleanLine UltraPlus™ Thermoplastic Composite Mounted Bearings

Series FB250CTW - Four Bolt Flange Blocks

Features:

- 440 Stainless Steel Rings and Balls
- 302 Stainless Steel Flingers and Retainers
- Setscrew Lock - Wide Inner Ring
- Factory Filled USDA H1 Lubricant Meets FDA Regulation 178.3570 Requirement for Incidental Contact with Food
- 304 Stainless Steel Setscrews
- Anti Rotation Pin
- Ultradur Glass Reinforced PBT Thermoplastic Housing
- Tensile Strength 16700 psi at Room Temperature
- Stainless Steel Bushings in All Bolt Holes
- Stainless Steel Insert for Zerk Threads
- Stainless Steel Zerk
- Moisture Resistant
- Corrosion Resistant
- Grooved for Composite Dust Caps on One Side, See Page O-51
- Smooth Surface with No Ribs for Easy Cleaning



NOTE: PRODUCTS ON THIS PAGE ARE AVAILABLE WITH TRIPLE LIP SEALS (SEE PAGE O-47) TO ORDER ADD SUFFIX L3 (EXAMPLE PB2515TWX1L3)

SHAFT SIZE	B	B.C.	C	D	E	H	J	L	M	S	WT. LBS.
1/2, 5/8, 3/4	3.380	3.535	1.110	2.360	2.500	.512	.433	1.311	1.100	1.220	.07
7/8, 1	3.740	3.898	1.340	2.800	2.756	.551	.433	1.448	1.100	1.342	.08
1-1/8, 1-3/16, 1-1/4s	4.220	4.622	1.590	3.190	3.268	.551	.433	1.622	1.220	1.500	1.1
1-1/4, 1-3/8, 1-7/16	4.650	5.122	1.850	3.620	3.622	.591	.512	1.846	1.300	1.689	1.6
1-1/2	5.120	5.679	2.060	4.090	4.016	.669	.551	2.095	1.500	1.937	2.3

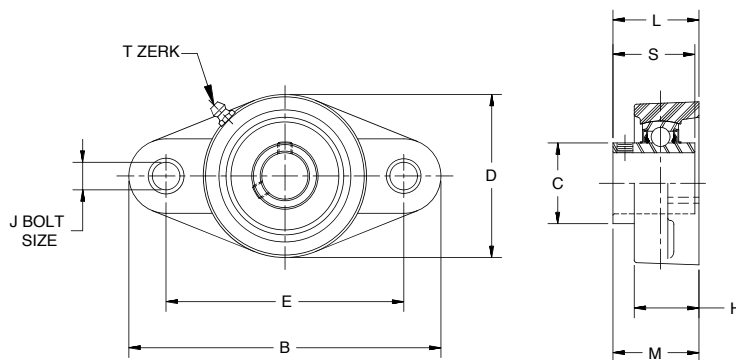
Part Numbers are specified by "FB250CTW" and Bore Size. Example: FB250CTW x 3/4.
For replacement inserts use B250TW Bearing Inserts, O-47
T-Zerk: 1/4-28 Taper

For Load Ratings, See page O-48 & O-49.

Series FB260CTW - Two Bolt Flange Blocks

Features: (same as above)

FOR LUBRICATION AND
INSTALLATION INSTRUCTIONS
- REFER TO SECTION S



SHAFT SIZE	B	C	D	E	H	J	L	M	S	WT. LBS.
1/2, 5/8, 3/4	4.450	1.110	2.560	3.543	.430	.433	1.311	1.040	1.220	.06
7/8, 1	5.120	1.340	2.760	3.898	.510	.433	1.430	1.160	1.342	.07
1-1/8, 1-3/16, 1-1/4s	5.830	1.590	3.150	4.606	.510	.433	1.583	1.200	1.500	1.0
1-1/4, 1-3/8, 1-7/16	6.460	1.850	3.540	5.118	.630	.512	1.748	1.290	1.689	1.4
1-1/2	6.930	2.060	3.940	5.669	.670	.551	2.035	1.480	1.937	2.0

Part Numbers are specified by "FB260CTW" and Bore Size. Example: FB260CTW x 3/4.
For replacement inserts use B250TW Bearing Inserts, O-47.
T-Zerk: 1/4-28 Taper

For Load Ratings, See page O-48 & O-49.

DIMENSIONS SHOWN ARE FOR REFERENCE ONLY.

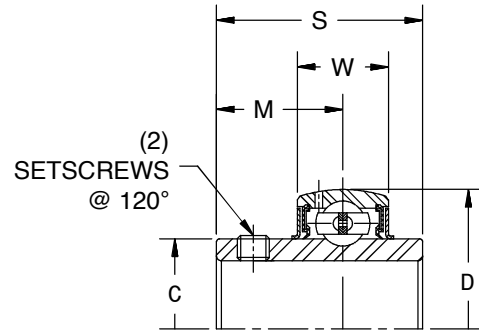
DOWNLOAD AVAILABLE CAD MODELS AT: WWW.HUBCITYINC.COM

Hub City CleanLine™ Bearing Units CleanLine Plus™ and UltraPlus Bearing Inserts

Series B250TW - Stainless Steel Bearings

Features:

- 440 Stainless Steel Rings and Balls
- 302 Stainless Steel Retainers
- Setscrew Lock - Wide Inner Ring
- Factory Filled USDA HI Lubricant Meets FDA Regulation 178.3570 Requirement for Incidental Contact with Food
- Silicone Seals with 302 Stainless Steel Flingers
- Lube Hole for Relubrication
- 304 Stainless Steel Setscrews
- Anti Rotation Pin

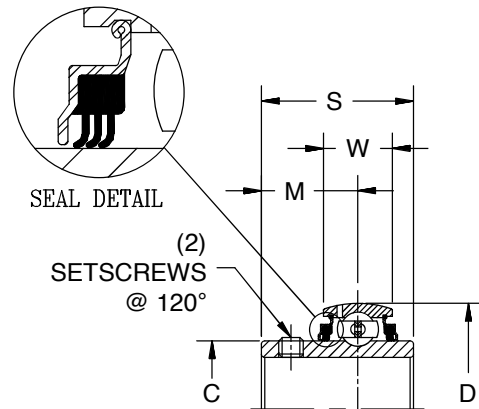


SHAFT SIZE	C	D	M	S	W	SETSCREW	WT. LBS.
1/2L, 5/8L, 3/4	1.114	1.850	0.720	1.220	0.630	1/4 - 28UNF	0.4
7/8, 1	1.339	2.047	0.779	1.343	0.669	1/4 - 28UNF	0.5
1-1/8, 1-3/16, 1-1/4s	1.587	2.444	0.874	1.500	0.748	1/4 - 28UNF	0.7
1-1/4, 1-3/8, 1-7/16	1.846	2.835	1.000	1.689	0.787	5/16-24UNF	1.0
1-1/2	2.063	3.150	1.189	1.937	0.827	5/16-24UNF	1.5
1-5/8, 1-11/16, 1-3/4	2.260	3.347	1.189	1.937	0.866	5/16-24UNF	1.6
1-15/16	2.488	3.543	1.283	2.031	0.945	3/8-24UNF	1.8

Series B250TW L3 Triple Lip Seal - Stainless Steel Bearings

Features:

- 440 Stainless Steel Rings and Balls
- 302 Stainless Steel Retainers
- Setscrew Lock - Wide Inner Ring
- Factory Filled USDA HI Lubricant Meets FDA Regulation 178.3570 Requirement for Incidental Contact with Food
- Triple Lip Silicone Seals with 302 Stainless Steel Trash Guards
- Lube Hole for Relubrication
- 304 Stainless Steel Setscrews
- Anti Rotation Pin



SHAFT SIZE	C	D	M	S	W	SETSCREW	WT. LBS.
1/2, 5/8, 3/4	1.114	1.850	0.720	1.220	0.630	1/4 - 28UNF	0.4
7/8, 1	1.339	2.047	0.779	1.343	0.669	1/4 - 28UNF	0.5
1-1/8, 1-3/16, 1-1/4s	1.587	2.441	0.874	1.500	0.748	1/4 - 28UNF	0.7
1-1/4, 1-3/8, 1-7/16	1.846	2.835	1.000	1.689	0.787	5/16-24UNF	1.0
1-1/2	2.063	3.150	1.189	1.937	0.827	5/16-24UNF	1.5
1-5/8, 1-11/16, 1-3/4	2.260	3.347	1.189	1.937	0.866	5/16-24UNF	1.6
1-15/16	2.488	3.543	1.283	2.031	0.945	3/8-24UNF	1.8

DIMENSIONS SHOWN ARE FOR REFERENCE ONLY.

DOWNLOAD AVAILABLE CAD MODELS AT: WWW.HUBCITYINC.COM

EMAIL: hubsales@regalbeloit.com • www.hubcityinc.com



CleanLine™



Hub City CleanLine™ Bearing Units

Series B250TW - CleanLine™ Stainless Steel Bearing Ratings

BEARING RADIAL LOAD CAPACITY (POUNDS) FOR 500 HOURS L-10 LIFE (2500 HOURS AVERAGE LIFE) AND STEADY LOAD CONDITIONS										
SHAFT SIZE (INCHES) 100, 200 SERIES	BASIC DYNAMIC RATING, C* (POUNDS)	BASIC STATIC RATING, Co** (POUNDS)	BEARING SPEED (RPM)							
			100	500	1,000	1,500	2,000	2,500	3,000	3,500
1/2 to 5/8	2200	1390	1,530	890	710	620	560	520	490	470
3/4	2200	1390	1,530	890	710	620	560	520	490	470
7/8 to 1	2430	1570	1,680	990	780	680	620	580	540	520
1-1/8 to 1-1/4S	3350	2250	2,320	1,360	1080	940	860	790	750	710
1-1/4 to 1-7/16	4430	3060	3,070	1,800	1430	1250	1130	1050	990	
1-1/2	5640	3990	3,910	2,290	1810	1590	1440	1340	1260	
1-11/16 to 1-3/4	5640	3990	3,910	2,290	1810	1590	1440	1340		
1-7/8 to 1-15/16	6060	4450	4,200	2,460	1950	1700	1550	1440		

* Radial load for an L-10 rating life of 1,000,000 revolutions.

** Radial load rating for stationary or very low speed operation.

For ultimate life, snug fit or light press fit on shaft should be used.

Recommended operating temperature range: 0 to +225 deg F.

For applications not covered in the rating tables, consult the factory.

Ratings are based on ISO 281.

Maximum Recommended Speeds:

1/2 to 1-1/4S 3,500 RPM

1-1/4 to 1-1/2 3,000 RPM

1-5/8 to 1-15/16 2,500 RPM

TO MODIFY THE ABOVE RATINGS FOR OTHER L-10 LIFE REQUIREMENTS OR FOR SHOCK LOADS MULTIPLY THE ABOVE RATINGS BY THE FACTOR FROM THIS CHART														
MODIFICATION FACTORS FOR L-10 SERVICE LIFE AND LOAD CONDITIONS:														
LOAD CONDITIONS	L-10 LIFE (HOURS)													
	500	700	1,000	1,500	2,000	3,000	4,000	5,000	7,000	10,000	15,000	20,000	30,000	50,000
Steady Load	1.00	.894	.794	.694	.630	.550	.500	.464	.415	.368	.322	.292	.255	.215
Light Shock	.90	.804	.715	.624	.567	.495	.450	.418	.373	.331	.290	.263	.230	.194
Moderate Shock	.70	.626	.556	.485	.441	.385	.350	.325	.290	.258	.225	.205	.179	.151

Hub City CleanLine™ Bearing Units

Load Ratings

BREAKING POINT TESTS OF COMPOSITE HOUSINGS AT ROOM TEMPERATURE (75 F.)						
	MODE OF LOAD	BREAKING STRENGTH (POUNDS)				
		1/2 TO 3/4	7/8 TO 1	1-1/8 TO 1-1/4S	1-1/4 TO 1-7/16	1-1/2
PB251CTW		2000	3100	2800	2900	2900
		1700	2200	2400	2400	2500
		1100	1800	1300	1700	1900
FB250CTW		2900	2900	3800	4200	4300
		2300	2700	4000	4200	4300
		730	750	760	790	850
FB260CTW		2500	2600	3700	3800	3900
		2500	3100	3000	3100	3200
		1900	2500	3200	3300	3400
TPB250CTW		1800	1900	2300	2700	2700
		1500	1600	1500	1800	2000
		670	640	1100	1800	2200

Recommended operating temperature of composite housings is 20 to 230 deg F.
Housing strength varies with operating temperature, and this must be considered in the selection and application of composite bearing units.

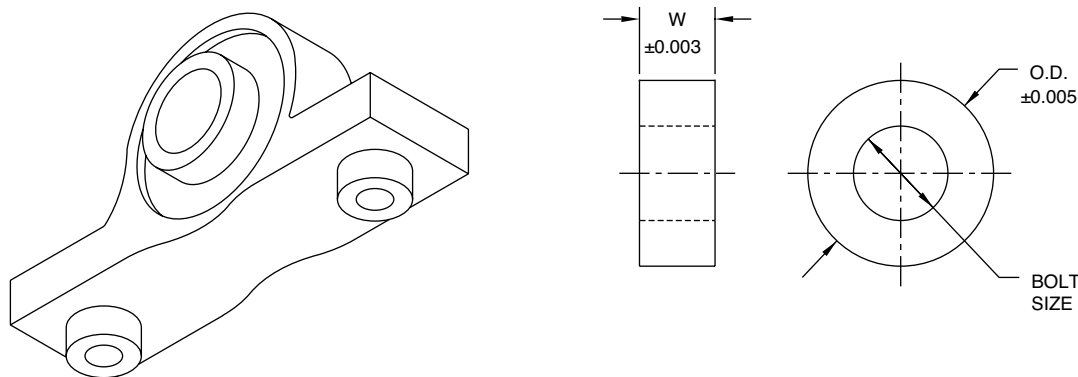
CleanLine™



Hub City CleanLine™ Bearing Units

UltraPlus™ Mounted Bearings

Accessories - Clearance Spacers



Clearance spacers are an excellent method of adding space between the mounted bearing and its mounting surface.

Clearance spacers minimize the surface contact area between the mounted bearing and its mounting surface to reduce potential bacterial growth areas.

Clearance spacers provide space for cleaning brushes to be used during sanitation processes. The spacers allow accessibility when cleaning by high-pressure washing or circulation of flowing chemical solutions, cleaning liquids and water rinses.

316 Stainless Steel Clearance Spacers

BOLT SIZE	SPACER NO.	O.D.	W
1/4	8471601286	0.625	0.375
5/16	8471601287	0.688	0.375
3/8	8471601288	0.812	0.375
7/16	8471601289	0.922	0.375
1/2	8471601290	0.969	0.375
5/8	8471601291	1.312	0.375

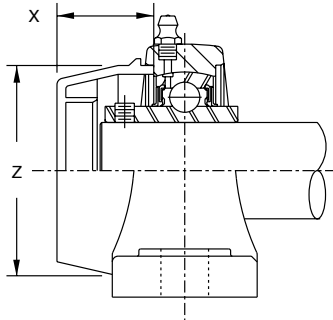
Order (1) spacer for each mounting hole required.
Consult factory for additional sizes available.

SUITABLE FOR:
CleanLine Pharmaceutical
CleanLine UltraPlus
CleanLine Plus
CleanLine Gear Drives

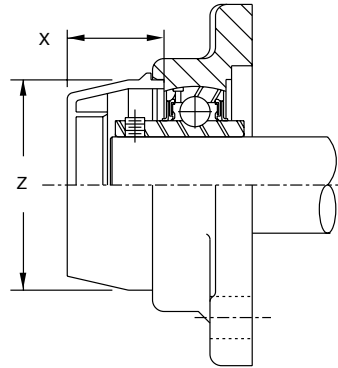
Hub City CleanLine™ Bearing Units

UltraPlus™ Mounted Bearings

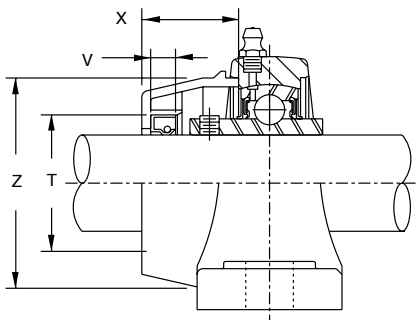
Accessories - Protective Caps



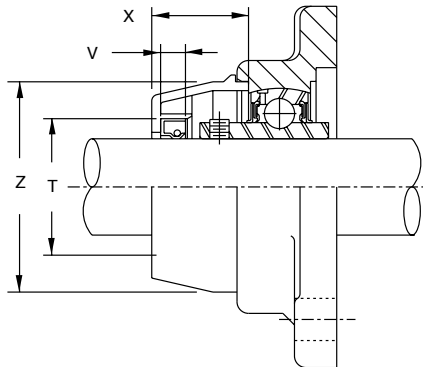
CLOSED PILLOW BLOCK UNITS



CLOSED FLANGE UNITS



OPEN PILLOW BLOCK UNITS



OPEN FLANGE UNITS



PROTECTIVE CAPS AND SEALS										
SHAFT SIZE	T	V	X	Z	CLOSED CAP		OPEN CAP		SEAL FOR OPEN CAP	
					DESCRIPTION	PART NO.	DESCRIPTION	PART NO.	DESCRIPTION	PART NO.
1/2	1.260	0.28	29/32	1-31/32	CPCCx3/4	1540101016	CPOCx3/4	1540101007	CPSEALx1/2	1745011004
5/8									CPSEALx5/8	1745011005
3/4									CPSEALx3/4	1745011006
7/8	1.457	0.28	1	2-5/32	CPCCx1	1540101017	CPOCx1	1540101008	CPSEALx7/8	1745011019
1									CPSEALx1	1745011007
1-1/8	1.654	0.28	1-3/16	2-1/2	CPCCx1-3/16	1540101018	CPOCx1-3/16	1540101009	CPSEALx1-1/8	1745011008
1-3/16									CPSEALx1-3/16	1745011009
1-1/4S									CPSEALx1-1/4S	1745011010
1-1/4	1.850	0.28	1-1/4	2-15/16	CPCCx1-7/16	1540101019	CPOCx1-7/16	1540101010	CPSEALx1-1/4	1745011011
1-3/8									CPSEALx1-3/8	1745011012
1-7/16									CPSEALx1-7/16	1745011013
1-1/2									CPSEALx1-1/2	1745011014

PROTECTIVE CAPS AND SEALS ARE SUITABLE FOR BOTH STAINLESS STEEL AND THERMOPLASTIC COMPOSITE BEARINGS CAPS AND SEALS ARE SOLD SEPARATELY. ORDER BY DESCRIPTION OR PART NUMBERS SHOWN

DIMENSIONS SHOWN ARE FOR REFERENCE ONLY.

DOWNLOAD AVAILABLE CAD MODELS AT: WWW.HUBCITYINC.COM

EMAIL: hubsales@regalbeloit.com • www.hubcityinc.com



Hub City CleanLine™ Bearing Units

Modified and Custom Designs

If you have looked through this catalog and do not see exactly what you need, Hub City has the capability and engineering expertise to design and produce modified or custom mounted bearings.

Capabilities Range As Follows:

- Special sealing requirements or materials
- Special lubricants
- Housing modifications
- Special paint or housing coatings
- Modifications for specific or unique application requirements

Consult the factory or your Hub City representative with your specifications.